

FASTERHOLT IRRIGATORS

FM 4800H - 4900H

**OPERATOR INSTRUCTIONS
&
SPARE PARTS CATALOGUE**



**A/S FASTERHOLT MASKINFABRIK
EJSTRUPVEJ 22, DK-7330 BRANDE
DENMARK**

**TEL: +45 97 18 80 66 FAX: +45 97 18 80 40
SPARE PARTS: +45 96 29 10 11 WORKSHOP: +45 96 29 10 13**

Date: 25th June 2013

A/S Fasterholt Maskinfabrik

Contents for FM4800H + 4900H

Operator instruction

Nelson SR 150 gun table	Page	1
Operator instructions for FM4800H + 4900H w. Double pump	Page	2
1. Safety guidelines and warnings.....	Page	2
2. Starting the FM4800H + 4900H	Page	3
3. Preparing the machine to irrigate.....	Page	4
4. Preparing the machine after irrigation	Page	4
5. Maintenance.....	Page	4
6. Winter preparation.....	Page	5
7. Defects on the irrigation machine.....	Page	5
8. Technical data for FM 4800H	Page	6
9. Technical data for FM 4900H	Page	6
Operator instructions for Program Regn 10 vers.6.5	Page	7
Constants for Program Regn 10 vers.6.5	Page	8
Engine data for Program Regn 10 vers.6.5	Page	9

A/S Fasterholt Maskinfabrik

Contents for FM4800H + FM4900H **spare parts lists**

Front hose steering and pull	Page 1
Front bridge and front wheel	Page 2
Hose steering	Page 3
Fender, brakes and big wheel	Page 4
Double pump	Page 5A-1
Hydraulic drum pull for the hose.....	Page 5B-1
Forced steering and A-frame	Page 6
Stop for high pressure	Page 7
Stop for low pressure	Page 8
Coupling with foreward pull, rear axle and rear wheel	Page 9
Turbine	Page 10
Sun panel, electric engine and computer	Page 11
Gun Nelson SR-150.....	Page 12
Rear axle and flat gear.....	Page 13
Rear axle	Page 14
Electric brake and axle stop.....	Page 15

A/S Fasterholt Maskinfabrik

PLEASE READ THIS THOROUGHLY BEFORE USING THE NELSON SR 150 GUN

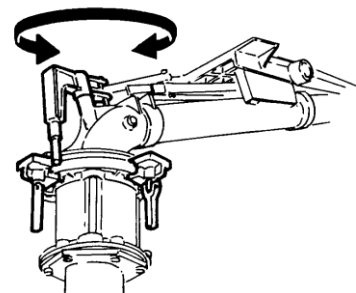
The Nelson SR 150 gun is adjusted for Danish environmental conditions from the factory and is ready to be used after taking care of the following the points:

- 1) To mount the Nelson SR 150 gun. Fit the gasket and mount the gun with the six enclosed bolts.
- 2) Choose the size of nozzle that fit your purpose and mount it. The performance of the different sizes is shown in the table below.
- 3) Adjust the stop impact on the part circle to get the wanted irrigation circle.

Adjusting:

The only thing you can adjust is the counterweight on the driving arm. By moving the counterweight forward, the gun irrigates slowly from side to side, and by moving the counterweight backwards, it irrigates more quickly.

If the gun doesn't irrigate quickly enough, the brake springs (no. 778474) can be dismantled in pairs. Please contact the service department.



WARNING: NEVER ADJUST WHILE THE GUN IS OPERATING!

DANGER: HIGH WATER PRESSURE – KEEP YOUR DISTANCE!

TABEL FOR NELSON SR 150

Fasterholt Maskinfabrik A/S

Table for FM – irrigation machines



Nelson SR 150 Conic nozzle	Nozzle pressure in bar	Water consumption m ³ /h.	Spread width in m.	Irrigated area in hectare per in pull with a hose length of:										Speed per hour: Approx. precipitation in mm.									
				450m	500m	550m	600m	700m	800m	900m	1000m	10m	15m	20m	25m	30m	35m	40m	45m	50m	55m	60m	
ø 17,80 mm (0,70")	3,5	23,0	60,8	2,9	3,2	3,5	3,8	4,4	5,0	5,6	6,2	38	25	19	15	13	11	9	8	7	6	5	
	4,0	24,6	63,7	3,0	3,3	3,6	3,9	4,6	5,2	5,9	6,5	39	26	19	15	13	11	10	9	8	7	6	
ø 20,30 mm (0,80")	5,0	27,5	68,3	3,2	3,6	3,9	4,2	4,9	5,6	6,3	7,0	40	27	20	16	13	12	10	9	8	7	6	
	6,0	30,1	71,8	3,4	3,7	4,1	4,5	5,2	5,9	6,6	7,3	42	28	21	17	14	12	10	9	8	7	6	
ø 22,90 mm (0,90")	3,5	29,8	65,6	3,1	3,4	3,7	4,1	4,7	5,4	6,1	6,7	45	30	23	18	15	13	11	10	9	8	7	
	4,0	31,9	68,5	3,2	3,6	3,9	4,2	4,9	5,6	6,3	7,0	47	31	23	19	16	13	12	11	10	9	8	
ø 25,40 mm (1,00")	5,0	35,7	73,3	3,4	3,8	4,2	4,5	5,3	6,0	6,7	7,5	49	33	24	20	16	14	12	11	10	9	8	
	6,0	39,1	77,4	3,6	4,0	4,4	4,8	5,6	6,3	7,1	7,9	51	34	25	20	17	14	13	12	11	9	8	
ø 27,90 mm (1,10")	3,5	37,8	70,4	3,3	3,7	4,0	4,4	5,1	5,8	6,5	7,2	54	36	27	22	18	15	13	12	11	9	8	
	4,0	40,4	73,3	3,4	3,8	4,2	4,5	5,3	6,0	6,7	7,5	55	37	28	22	18	16	14	13	11	9	8	
ø 30,50 mm (1,20")	5,0	45,2	78,9	3,7	4,1	4,5	4,9	5,7	6,5	7,3	8,0	57	38	29	23	19	16	14	13	11	9	8	
	6,0	49,5	83,2	3,9	4,3	4,7	5,2	6,0	6,8	7,6	8,5	59	40	30	24	20	17	15	13	11	9	8	
ø 33,00 mm (1,30")	3,5	46,9	76,0	3,6	4,0	4,3	4,7	5,5	6,2	7,0	7,8	62	41	31	25	21	18	15	13	11	9	8	
	4,0	50,1	78,2	3,7	4,1	4,5	4,8	5,6	6,4	7,2	8,0	64	43	32	26	21	18	16	14	12	10	8	
ø 35,50 mm (1,40")	5,0	56,0	84,0	3,9	4,4	4,8	5,2	6,0	6,9	7,7	8,6	67	44	33	27	22	19	17	15	13	11	9	
	6,0	61,3	88,0	4,1	4,6	5,0	5,5	6,3	7,2	8,1	9,0	70	46	35	28	23	20	17	15	13	11	9	
ø 38,00 mm (1,50")	3,5	57,1	80,8	3,8	4,2	4,6	5,0	5,8	6,6	7,4	8,2	71	47	35	28	24	20	18	16	14	12	10	
	4,0	61,0	83,2	3,9	4,3	4,7	5,2	6,0	6,8	7,6	8,5	73	49	37	29	24	21	18	16	14	12	10	
ø 40,50 mm (1,60")	5,0	68,2	88,8	4,2	4,6	5,1	5,5	6,4	7,3	8,1	9,0	77	51	38	31	26	22	19	17	15	13	11	
	6,0	74,7	93,6	4,4	4,9	5,3	5,8	6,7	7,6	8,6	9,5	80	53	40	32	27	23	20	18	16	14	12	
ø 43,00 mm (1,70")	3,5	68,3	84,0	3,9	4,4	4,8	5,2	6,0	6,9	7,7	8,6	81	54	41	33	27	23	20	18	16	14	12	
	4,0	73,0	87,2	4,1	4,5	5,0	5,4	6,3	7,1	8,0	8,9	84	56	42	34	28	24	21	19	17	15	13	
ø 45,50 mm (1,80")	5,0	81,7	93,6	4,4	4,8	5,3	5,8	6,7	7,6	8,6	9,5	87	58	44	35	29	25	22	20	18	15	13	
	6,0	89,5	98,4	4,6	5,1	5,6	6,1	7,0	8,0	9,0	10,0	91	61	45	36	30	26	23	21	18	15	13	
ø 48,00 mm (1,90")	3,5	80,1	88,0	4,1	4,6	5,0	5,5	6,3	7,2	8,1	9,0	91	61	46	36	30	26	23	21	18	15	13	
	4,0	85,7	91,2	4,3	4,7	5,2	5,7	6,5	7,4	8,4	9,3	94	63	47	38	31	27	23	21	18	15	13	
ø 50,50 mm (2,00")	5,0	95,8	96,8	4,5	5,0	5,5	6,0	6,9	7,9	8,9	9,8	99	66	49	40	33	28	25	22	19	16	13	
	6,0	105,0	102,4	4,8	5,3	5,8	6,3	7,3	8,3	9,4	10,4	103	68	51	41	34	29	26	23	20	17	14	

A/S Fasterholt Maskinfabrik

Important!!!

READ THOROUGHLY BEFORE YOU START USING YOUR IRRIGATOR!

Operator instructions for Fasterholt FM48-4900H with double pump.

Having purchased a Fasterholt irrigator, you have got a Danish quality irrigator. But even the best of machines only yield top results, when it is used and operated correctly.

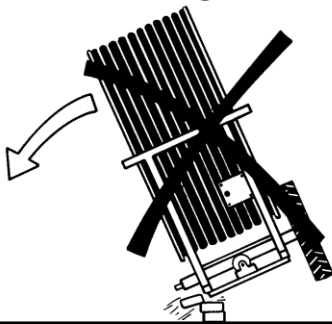
To maintain the machine directive – in accordance with EU agreement, it is necessary and important only to use original spare parts. Otherwise the agreement cannot be observed, and the safety will be entirely your own responsibility.

This irrigator is produced to use clean water from a drilling or a stream.

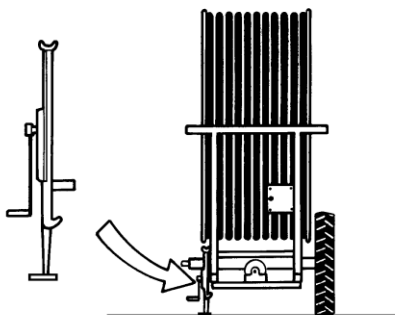
1. Safety guidelines and warnings

- Staying on the machine during irrigation and transport is prohibited! **It is dangerous!**
- The shields are mounted for your safety – do not remove them!
- Remember to re-tighten the wheel bolts.
- When starting the machine in slope terrain, be very careful NOT to disconnect the tractor from the machine until it is in gear. Otherwise the machine might run away.
- If a rear wheel is dismantled, the machine must be VERY solidly chocked up. If it tilts, it will turn over on the side.

WARNING !!



**When dismantling a wheel
USE A JACK!**



- Emergency stop of the machine is done by pulling the wire to the clamp – or pressing STOP on Constant rain/Programme rain.
- The gun must point sideways while the machine is placed in position.
- **STEP ASIDE** when the gun is working.
- **WARNING** against any contact with electric wires from machine or jet of water. Avoid irrigation on or close to power lines.
- During transportation on rough road or field always drive very carefully minding the conditions.
- Maximum pace during transportation with water in the hose is 15 km/h.
- Always use chocks mounted by the rear wheels when parking the machine.
- **DANGER!** Avoid welding on painted areas. In case of welding all paint must first be removed from the welding area.
 - Avoid inhaling of grind dust.
 - Hydraulic oil can be damaging to your health be cause:
 - Contact with skin can cause allergy
 - Inhalation of oil fumes can cause lung deceases
 - If a leak is found in the hydraulic system, stop the machine and repair the leak immediately.
 - Leak of oil under high pressure is dangerous, because a jet of oil can cut into skin, eyes i.e.
 - Oil from a working machine is at least 70 degrees Celsius. This can cause risk of scalding.

IMPORTANT! Maximum recharge effect on the battery is 2 ampere. Recharging with more than 2 ampere might cause cracking the battery. The battery must be recharged at a temperature between 0 and 40 degrees Celsius. Never place the battery in a closed container while recharging. During the winter season the battery must be dismantled and kept indoor fully recharged at a dry place.

- Avoid sparks and flames on and close to the battery.
- Avoid short-circuiting the battery.
- Never disassemble the battery.
- If contact with sulphuric acid from the battery, immediately wash with water. If the acid gets in contact with eyes, wash thoroughly with water and see a doctor immediately.
- Mind the battery cabinet. If there is any cracks, deformity or leak from electrolyte, the battery should be changed immediately.
- If the battery is dirty, it should be cleaned.

Disposal of oil waste:

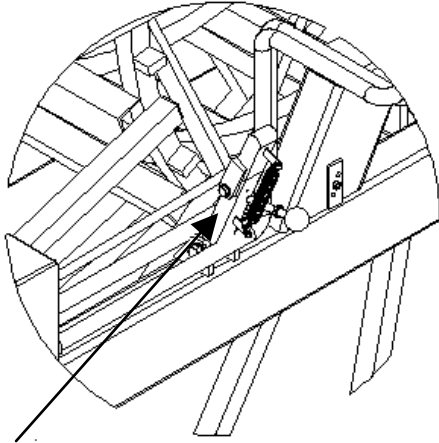
- If oil waste is observed, it must be cleansed with cloths or oil absorbing powder. Products, cloths and powder from the oil waste must be kept in closed metal containers and delivered at the local waste site.
- Batteries, tyres, hoses and other parts from the irrigator should be disposed at an approved waste site.

A/S Fasterholt Maskinfabrik

2. Starting the FM48-4900H with double pump

Drive the machine to the field in transportation position. When the machine is at the crop that needs irrigation, disconnect the tractor from the front draw. Connect the tractor to the rear draw. The plug for electric brake is mounted in socket to get light on the tractor. Now turn into the crop and stop.

Release the stop pawl by the hose drum.

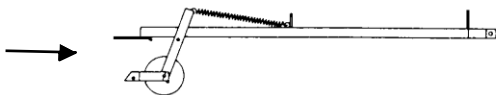


The stop pawl by the hose drum must be released while laying out the hose.

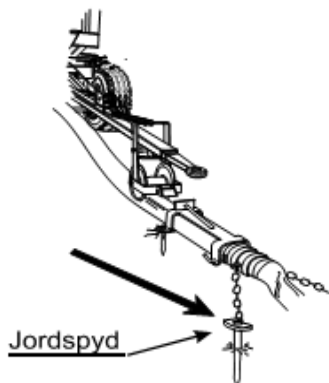
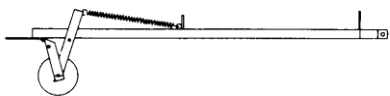
Remember! When starting the machine in slope terrain, be very careful NOT to disconnect the tractor from the machine until it is in gear. Otherwise the machine might run away.

SAFETY STOP

When irrigating



When transporting

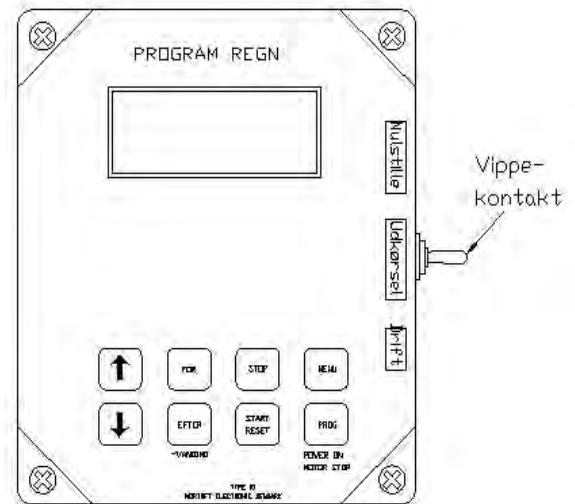


Ground spear

Secure the hose chains with the long ground spears. Lower the draw pole over the hose and release the safety stop to make the hose roll run on the hose.

Drive the machine in position at maximum **5 km/h**, to make sure that the electric brake can keep the hose tight. If the hose isn't laid straight out, **be very observant** that the hose constantly is tight on the hose drum.

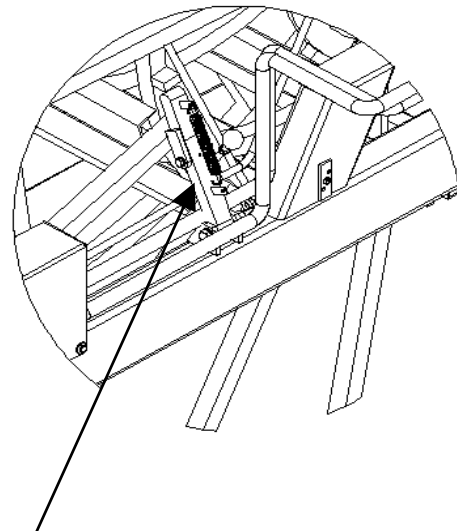
Notice that the machine should be driven all out at least every third time. Before driving the machine in position, reset the Constant rain/Programme rain to zero point. Pressing the tip switch, which is mounted on the side of the electric box, upwards, does this.



While driving the machine into position, the tip switch must be centred. This way it cannot reset. When in position, press the tip switch downwards to make the machine run.

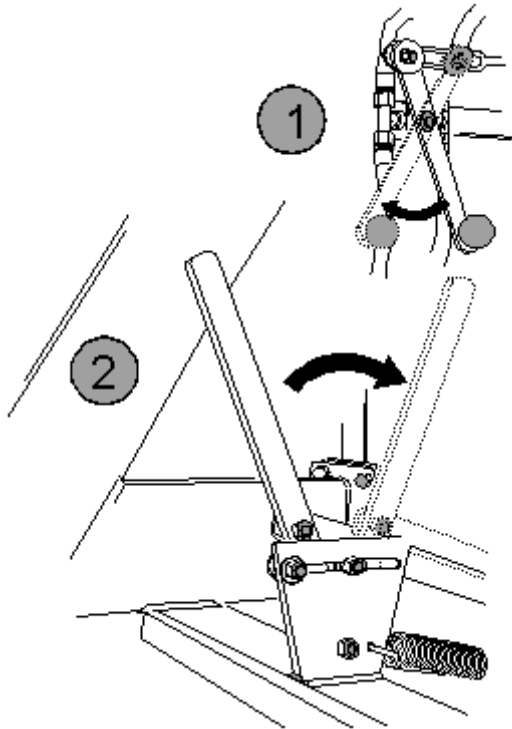
REMEMBER! Always press the tip switch downwards when ready to irrigate, otherwise the machine cannot run.

3. Preparing the machine to irrigate

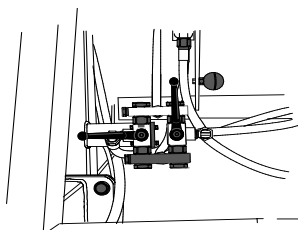


A/S Fasterholt Maskinfabrik

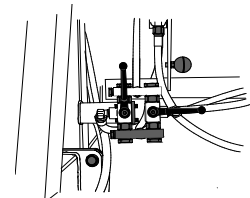
The stop pawl by the hose drum is set on action.
REMEMBER to release the electric brake and remove the plug from the tractor.



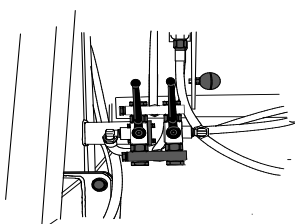
Remember to close the cock to coupling (Pull out handle "1") and couple with the clutch handle. (Press handle "2"). Mount the feed hose on the hydrant. Afterwards open hydrant, start the pump and begin irrigation. To start irrigation check operator instructions on CONSTANT RAIN/PROGRAMME RAIN. Set machine in gear. (Remember to choose the right gear according to the speed you want to drive. (Check the table underneath or on the machine if electric steering.)



1.GEAR
 20-30 metres
 per hour



2.GEAR
 28-50 metres
 per hour



3.GEAR
 50-80 metres
 per hour

4. Prepare the machine after irrigation

After having finished irrigation, the cock by the circulation is pressed in (Press handle "1" in) to get gearbox out of gear. (Pull out handle "2"). If there are tensions in rear axle assembly, turn the entry axle with an open-ended spanner to release the coupling.

REMEMBER the coupling must always be released when the machine doesn't operate. (Pull back the cock to coupling).

5. Maintenance

Once every week:

Make sure that there is no water in the oil on the rear axle assembly or the hydraulic system. Steering gear, roller chain for hose steering, roller chain for forward pull and cross track axle for hose steering must be greased in water-repellent grease.

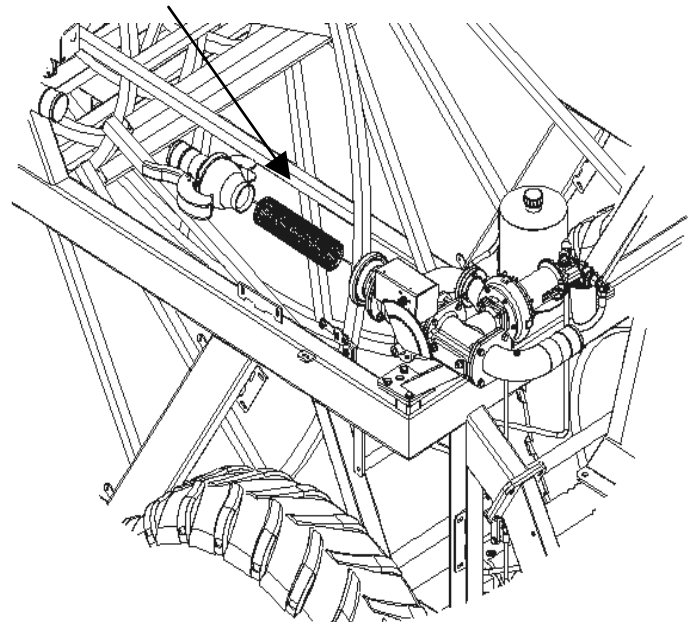
Control of tyre pressure:

Air pressure in rear wheels: FM4800H: 2.9 bar
 FM4900H: 2.3 bar

Air pressure in front wheels: FM4800H: 4.1 bar
 FM4900H: 4.7 bar

Make sure that front and rear pull are simultaneous.

The filter by the outtake to turbine is cleansed when necessary.



Make sure that the hose lies correct on the hose drum. Remember frequently to control steering bug in hose steer.

Remember to tighten the wheel bolts frequently.

Tightening of bolt in rear wheels: 450 Nm

Tightening of bolts in front wheels: 330 Nm

A/S Fasterholt Maskinfabrik

NOTICE:

The battery must be recharged once a month during season to maintain full effect and extend life span.

6. Winter preparation

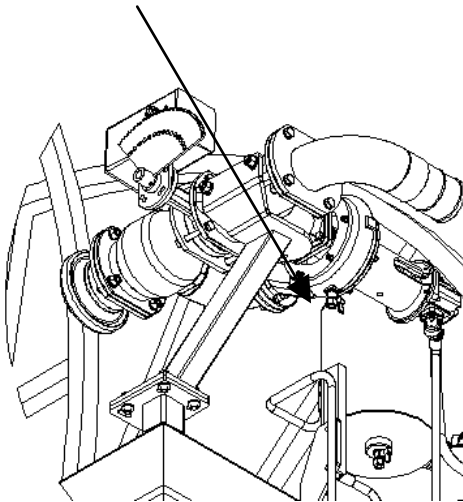
Empty the machine for water:

The machine is only emptied by the use of air. Always use a special compressor to empty the machine.

REMEMBER!!

Open filter by the coupling

Open the cock in the bottom of the turbine



On machines with stop for high-pressure press START button, to open the main valve and to let the water run out by itself. (Dismount wire to battery so that the stop valve does not close).

The battery is dismantled and not mounted again until the next time the machine is used.

Greasing of:

Front wheel hub, front wheel spindle, hose steer, bearing on hose steer and big wheel.

Oil in rear axle assembly and hydraulic tank is checked for water. The oil in rear axle assembly and flat gear should be checked every 1000 hours. Hydraulic oil and filter should be changed every two years.

Steering gear, roller chain for hose steering, roller chain for forward pull and cross track axle for hose steering must be greased in water-repellent grease.

Control of tyre pressure.

Steering bug should be changed every two years.

7. Defects on the irrigation machine

1. If the machine irrigates but does not drive:
 - a. Control that it is set in gear.
 - b. Control that the machine is pre-irrigating or pro-irrigating. (See on display under menu 3).
 - c. Control that the cock for pressure drop is closed.
 - d. Control that the end stop feeler is in place. (See on display under menu 2).

- e. Control that the tip switch is pressed downwards to make the machine run.
- f. Control that the cock to free coupling is closed (at the hydraulic motor).
- g. Control that the filter by the outtake to turbine is not blocked.
- h. Control that the turbine runs easily.

2. If the machine does not roll the hose correctly it might be because:
 - a. The hose steer needs adjustment. Dismounting the chain from the hose steer to the cross track axel does the adjustment. Then turn the cross track axel until the hose steer again fits with the hose. Now mount the chain again.
 - b. The steering bug is worn out and needs to be replaced.
 - c. There is not enough pressure on the drum uptake. (Require a fitter)
3. The forced steering in front and back does not follow and the forced steering spring on influence:
 - a. There is a leak at the coupling or assembling, so that the oil has run out, and there is air in the system.
 - b. The system needs to be aired. (Require a fitter).

8. Technical data for FM 4800H double pump

Hose PEL 110 mm:
Capacity up to 75 m³ – length of hose from 500 to 675 m.

Hose PEL 125 mm:
Cap. up to 100 m³ – length of hose from 400 to 550 m.

Dimensions of wheels:
Rear wheel: 12,4" x 36" x 10 (ply) – air pressure: 2.9 bar
Front wheel: 13,0"/75x16" x 10 (ply) – air pressure: 4.1 bar

Speed at 55 m³ and more: 20 - 70 metres/h.

Weight – FM 4800H:
Weight without water and with 675m 110mm hose: 5000 kg.
Weight with water and with 675m 110mm hose: 9300 kg.

Gap between wheels:
Standard: 2010 mm

Gun: Nelson SR 150

Oil in rear axle assembly:
25 litres 80/90 gear oil/gap between wheels: 2010 mm

Oil in flat gear: 1,5 litres 80/90 gear oil
Oil in gear with oil motor: 3,5 litres 80/90 gear oil (every 2. year)

Hydraulic oil: 14 litres STATOIL Hydraway HM 100
Grease for lubrication: STATOIL Moly Way EP2 or similar.

Machine dimensions:
Width: 230 cm
Length without pull bar: 608 cm
Length with pull bar: 893 cm
Height: 397 cm

A/S Fasterholt Maskinfabrik

Optional extra equipment:

Electric brakes with brake block.

Solar charging

Solid stop guard

9. Technical data for FM 4900H w. double pump

Hose PEL 110 mm:

Capacity up to 70 m³ – length of hose from 675 to 800 m.

Hose PEL 125 mm:

Cap. up to 100 m³ – length of hose from 500 to 650 m.

Dimensions of wheels:

Rear wheel: 16,9/14 x 30" x 8 (ply) – air pressure: 1.7 bar

Front wheel: 400/60 x 15,5" x 14(ply) – air pressure: 4.7 bar

Speed at 55 m³ or more: 20 - 45 metres/hour.

Weight – FM 4900H:

Weight without water and with 800m 110mm hose:
6000 kg.

Weight with water and with 800 m 110mm hose:
11800 kg.

Gap between wheels:

Standard: 2010 mm

Gun: Nelson SR 150

Oil in rear axle assembly: 25 litres 80/90 gear oil/
gap between wheels: 2010 mm

Oil in flat gear: 1,5 liter 80/90 gearolie

Oil in gear with oil motor: 3,5 litres 80/90 gear oil/
(every 2.year)

Hydraulic oil: 14 litres STATOIL Hydraway HM 100

Grease for lubrication: STATOIL Moly Way EP2
or similar.

Machine dimensions:

Width: 245 cm

Length without pull bar: 630 cm

Length with pull bar: 915 cm

Height: 419 cm

Optional extra equipment:

Electric brakes with brake block

Solar charging

Solid stop guard

DOSAGE:

The flow in m³/h are set as constant no. 9.

The spacing in m are set as constant no. 10.

The code for changing the M.data are now no. 11

It is now possible to read the dose in line 2, this means that be used both for users that want to put in the dose in mm, and the for users that want to put in speed, without adjustments. Also if the user wants to make some special irrigation for a couple of days, he can use the speed and do not need to put in any constants

PRE-and POST- IRRIGATION:

Press menu once, so you are in menu 2 with the pre- and post-irrigation in the last line.

Press " PRE " and you will get the pre irrigation time calculated from the speed, within 2 sec. you can adjust the pre irrigation time with the arrow keys.

Post irrigation function in the same way.

If you are in menu 1 it is not possible to adjust the pre- and post irrigation, so every thing works as on the previous version.

DISTANCE:

Press menu once, so you are in menu 2 with the distance in first line.

Press " PROG " 3 times and the distance can be adjusted with the arrow keys.

There are different constants that can be set by the user.
These constant will be saved for years even if the battery is disconnected.

Programming procedure:

The speed should be adjusted to 11.1 m/h (or to 11 f/h) to reach the constants.

Press rapidly the "PROGRAM" key 3 times to gain access to change the constants.

By subsequent pressing on the "PROGRAM" key the constant no. will step forward. With the arrow keys the constant value can be changed.

The PROGRAM RAIN goes back to normal and saves the constant by pressing the key "MENU".

If the key "MENU" is not pressed the Program Rain switches back to normal after 1 minute, and the changes of the constants are not saved.

CONSTANTS

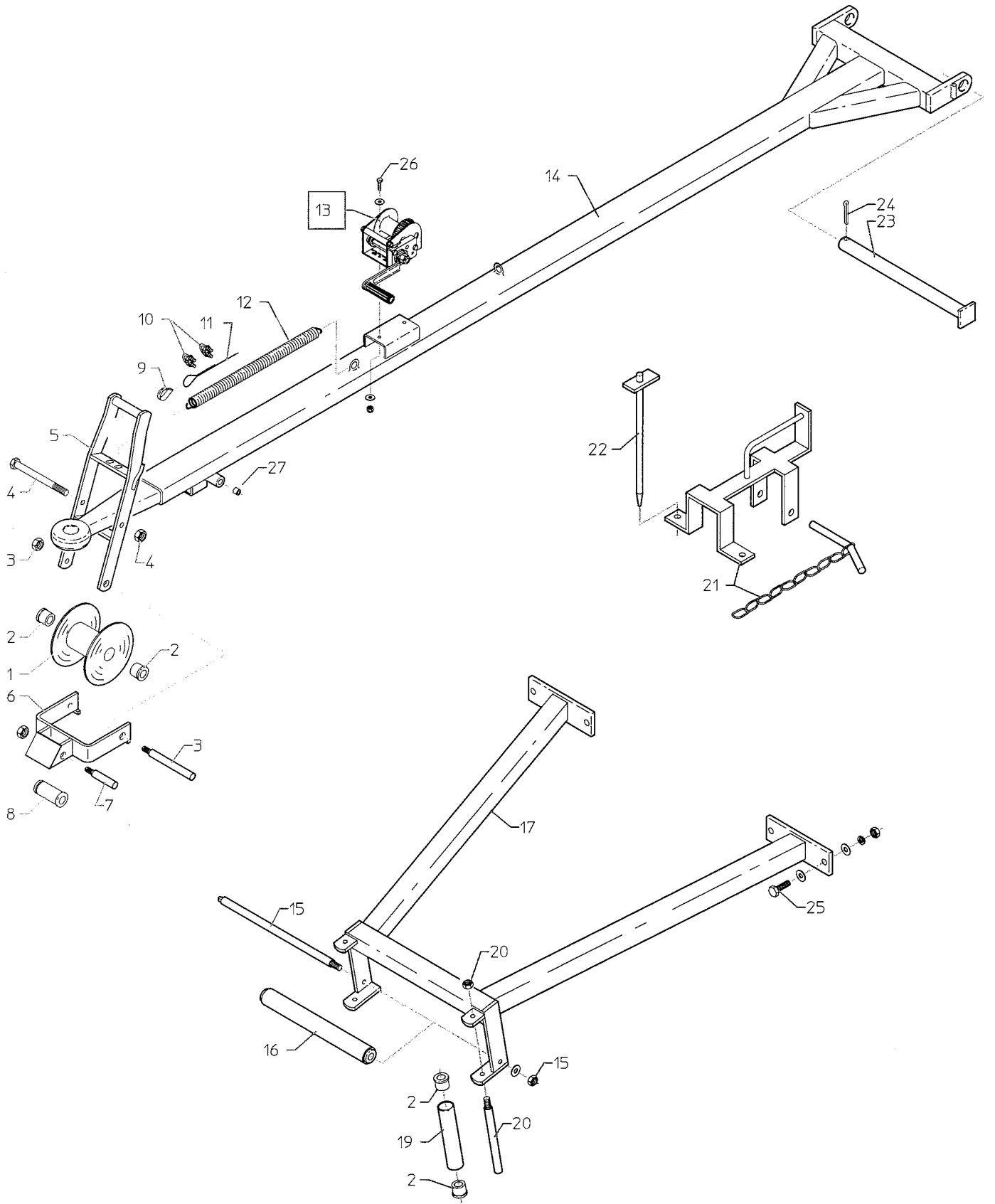
Const no.	Not e	Fact. Adj.	Min. Value	Max. Value	Description
0		0	00:00	24:00	The time in line 2 is set.
1		8	1	15	Pre-irrigation
2		8	1	15	Post irrigation
3		20	0	99	Supervision time
4		2	1	7	1 English, 2 Danish, 3 German, 4 French 5 Dutch, 6 Swedish, 7 Spanish
5		0	0	2	0 = Stop for high pressure, Slow shut-down 1 = Stop for low pressure, 1 long pulse and motor 2 runs in the opposite direction also set machine data 12 = 2 2 = motor 2 stopping is disconnected
6		0	0	15	Distance to post-irrigation
7		-	0	1000	Distance (if the distance has been reset)
8		0	0	1000	Distance for bipper (0 = no bip)
9		40	5	120	Water flow m ³ /h
10		60	5	100	Spacing m
11		100	-	-	Code to reach machine data

The constant no. 9 (the code) should be 111 to reach the machine data.
Then press "PROG" and the machine data is shown.

See next pages.

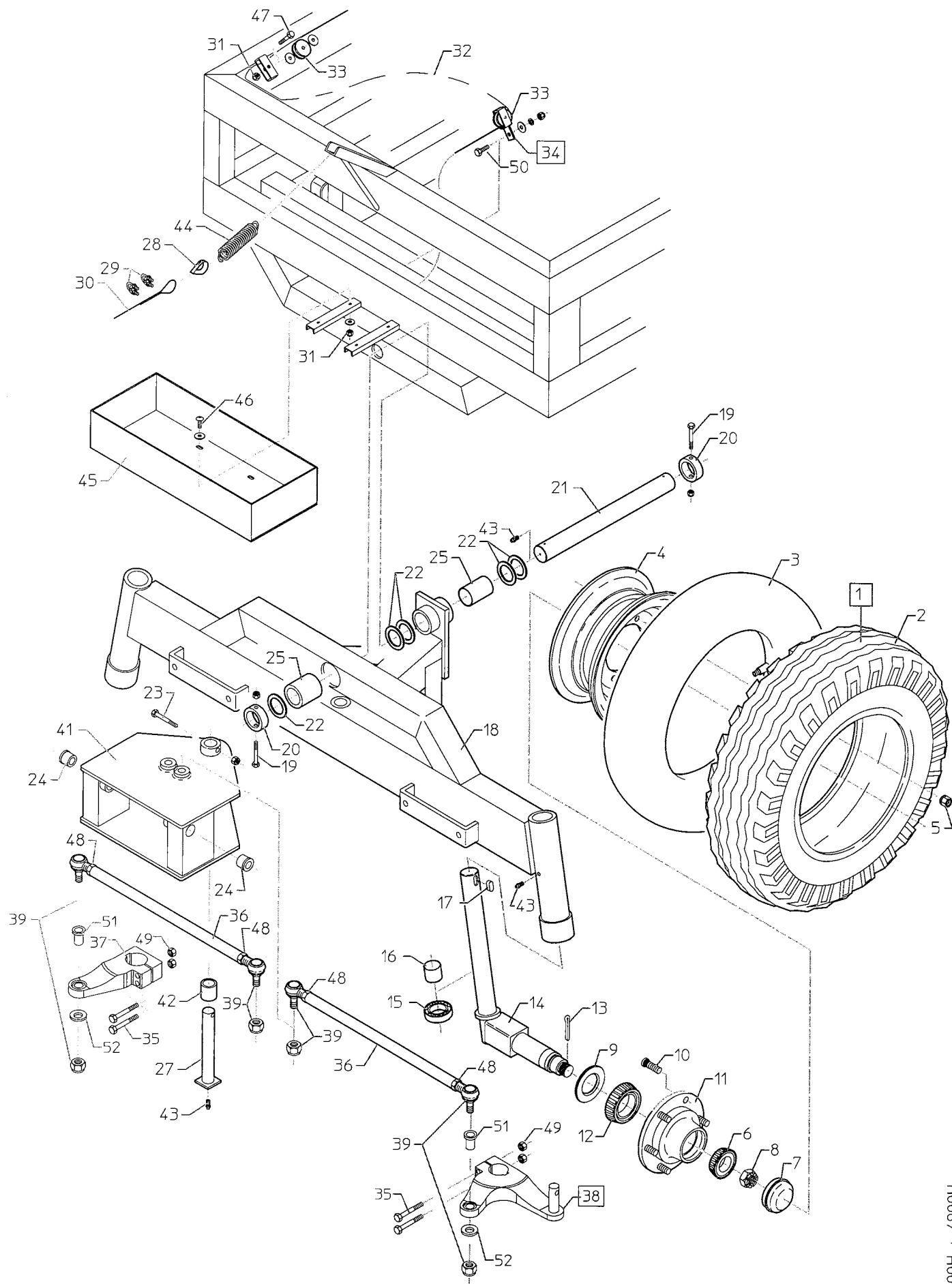
MACHINE DATA

M.Data no.	Note	Fact. Adj	Min. Value	Max. Value	Description
0		400	0	1000	Pipe length m
1		110	40	200	Pipe diameter mm
2		1850	500	3000	Reel drum diameter mm
3		12.00	5.00	30.00	Windings pr. layer
4		200	50	1000	Large drive sprocket no. of teeth
5		10	5	40	Small drive sprocket no. of teeth
6		4	1	20	Number of magnets
7		0.89	0.70	1.00	Ovality
8		3	0	45	First pulse to main valve sec
9		160	0	300	Short pulses to main valve msec
10		2	1	5	Time between short pulsessec sec
11		100	0	250	Number of short pulses
12		1	0	2	Shut-down system, 0 = Only regulator motor 1 = 2 Motors, inlet valve closes at low press 2 = 2 Motors, inlet valve opens at low press
13		26.1	0.9	26.1	Closing pulse length to the regulator motor
14		0	0	2	0 = No pressure switch mounted 1 = Pressure switch mounted (start / stop) 1 = Start and stop by radio transmitter 2 = Pressure switch mounted (only start)
15		0	0	160	Distance between pulses mm FM 4800H = 53,3 MM FM 4900H = 51,5MM (4 Magnets) FM 4900H = 103 MM (8 Bolts)
16		0	0	1	Opening of the main valve 0 = Fast opening. 1 = Slow opening
17		0	0	1	Supervision of the right speed 0 = Supervision off. 1 = Supervision on
18		0	0	1	Meter or foot readings in the display 0 = meter. 1 = foot



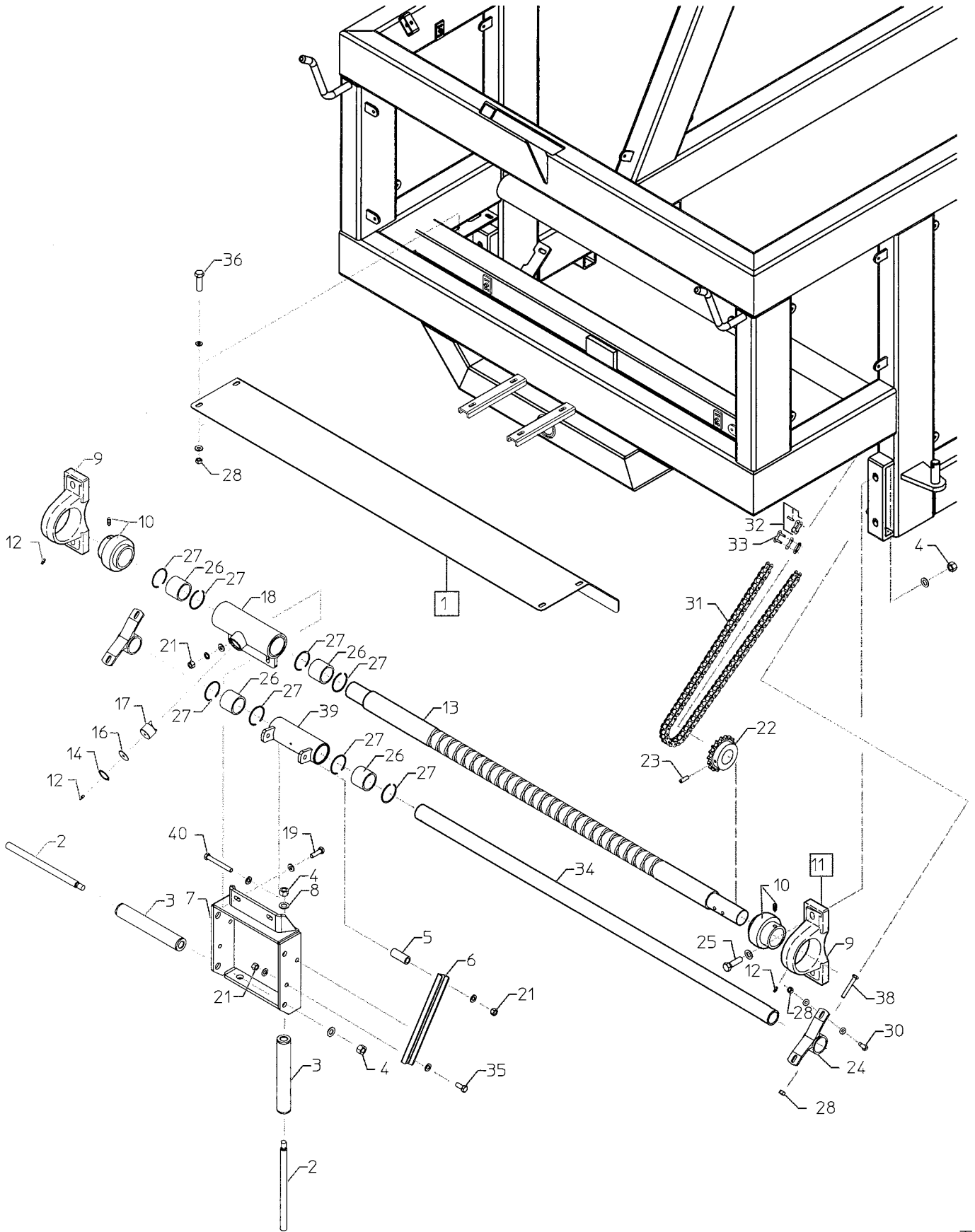
FM 4800H + 4900H fra maskin nr. 5986 / FM 4800H + 4900H from machine no. 5986
FM 4800H + 4900H à compter de la Machine Nr. 5986

Pos. nr. Pos. No Pos. No.	Best. Nr. Part No Ordre No	Benævnelse	Description	Nomenclature	Bemærkninger Remark Remarque
1	1010100	Slangehjul	Hose Reel	Galet de guidage	Ø PEL 125 mm.
1	1008205	Slangehjul	Hose Reel	Galet de guidage	Ø PEL 110 mm.
2	761271	Nylonleje	Nylon bearing	Bague nylon	Ø22 mm.
3	1010103	Aksel	Axle	Axe	Ø20 x 290 mm. Ø125 mm
3	1008218	Aksel	Axle	Axe	Ø20 x 260 mm. Ø110 mm
4	1010112	Bolt	Bolt	Boulon	M16 x 250 mm.Ø 125
4	763800	Bolt	Bolt	Boulon	M16 x 230 mm.Ø 110
5	1010110	Bøjle	Clamp	Levier	Ø125
5	1008210	Bøjle	Clamp	Levier	Ø110
6	1010105	Sikkerhedsstop	Safety Stop	Butée d'arrêt	Ø125
6	1008215	Sikkerhedsstop	Safety Stop	Butée d'arrêt	Ø110
7	761273	Aksel	Axle	Axe	Ø20 x 115 mm.
8	761272	Bærerulle	Supporting Rolle	Rouleau	5/4" x 60 mm.
9	761012-1	Kouse	Thimbles	Oeillet	Ø5.0
10	761013-1	Wirelås	Wire Locks	Serre-câbles	Ø5.0
11	-	Wire	Steel Wire	Câble	Ø5,0 x 8580 mm.
12	1001011	Fjeder	Spring	Ressort	Ø 4,0 x 330 mm.
13	505500	Spil	Windlass	Treuil	8 AFL
14	1008200	Trækstang	Drawbar	Bras de guidage	
15	1761026	Aksel	Axel	Axe	Ø20 x 550 mm.
16	1761024	Bærerulle	Supporting Roller	Rouleau	5/4" x 500 mm.
17	1010107	Slangestyr	Hose Guide	Guide polyéthylène	FM Ø110/Ø125
17	-	-	-	-	
19	761023	Bærerulle	Supporting Roller	Rouleau	5/4" x 185 mm.
20	761025	Aksel	Axle	Axe	Ø20 x 240 mm.
21	1761006	Stopklods	Stop Block	Butée d'arrêt	Ø110 mm.
21	1010118	Stopklods	Stop Block	Butée d'arrêt	Ø125
22	1010115	Jordspyd	Earth Rod	Piquet d'ancrage	L=730 mm
23	1008222	Aksel	Axel	Axe	Ø30 x 465 mm.
24	763585	Split	Split	Goupille	Ø6,3 x 50 mm.
25	763626	Bolt	Bolt	Boulon	M16 x 45 mm.
26	763727	Bolt	Bolt	Boulon	M10 x 25 Rundh. Indv.6-kant
27	1761001	Bøsning	Bushing	Bague	Ø30/17 X 9,5 FM4900



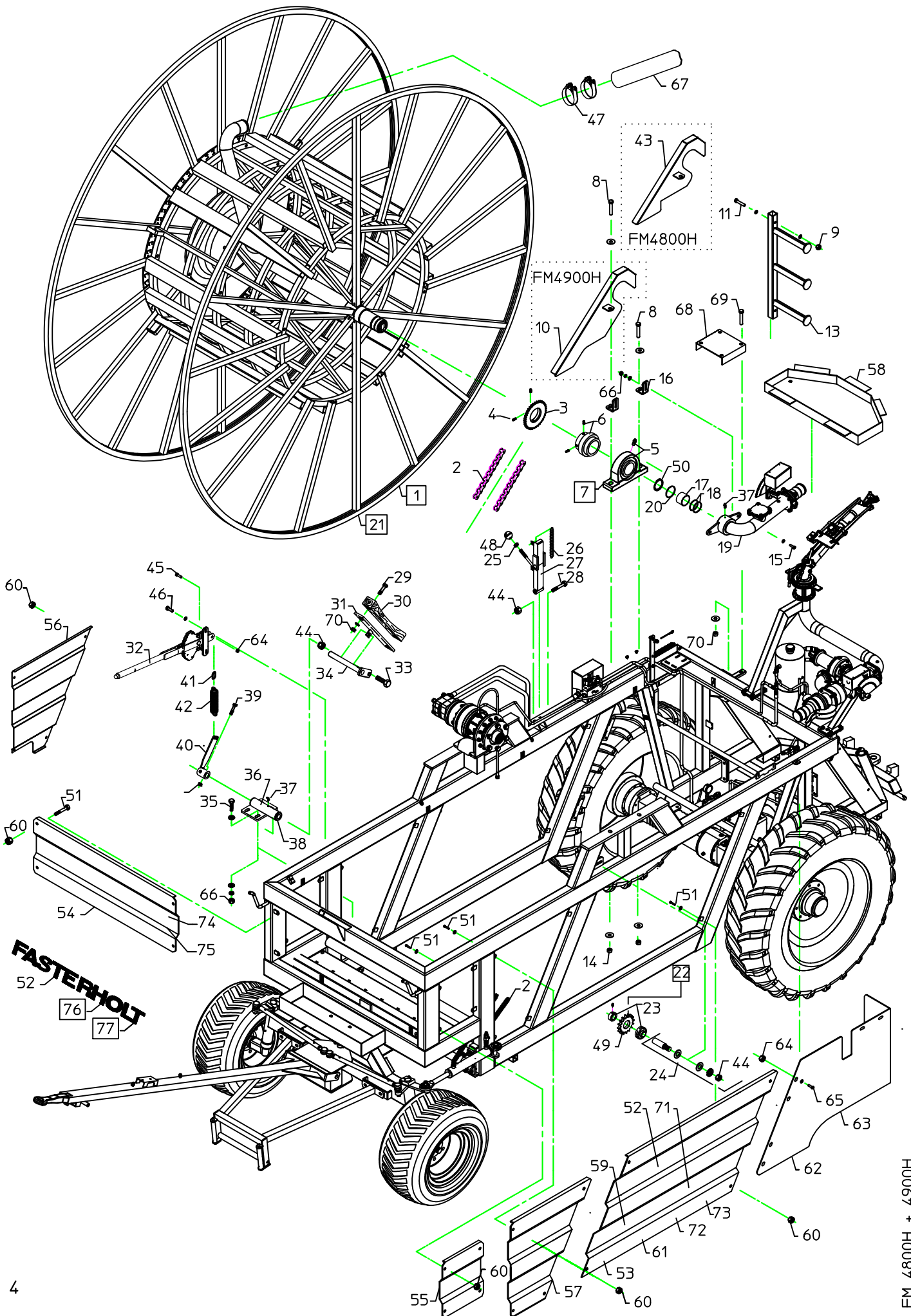
FM 4800H + 4900H fra maskin nr. 5986 / FM 4800H + 4900H from machine no. 5986
FM 4800H + 4900H à compter de la Machine Nr. 5986

Pos. nr. Pos. No Pos. No.	Best. Nr. Part No Ordre No.	Benævnelse	Description	Nomenclature	Bemærkninger Remark Remarque
1	1010590	Forhjul ,kpl.	Wheel, complete	Roue, complète	400/60 X15,5" x 14 lag FM4900H
1	1008750	Forhjul ,kpl.	Wheel, complete	Roue, complète	13.0/75 X 16" X 10 lag FM4800H
2	1010591	Dæk	Tyre	Pneu	400/60 x 15,5" x 14 lag FM4900H
2	1008752	Dæk	Tyre	Pneu	13.0/75 X 16" X 10 lag FM4800H
3	1010593	Slange	Tube	Chambre à air	400/60 x 15.5" FM4900H
3	1008754	Slange	Tube	Chambre à air	13.0/75 X 16" FM4800H
4	1010592	Fælg	Rim	Jante	13.00 x 15.5 " 6-161-205 mm FM 4900H
4	1008756	Fælg	Rim	Jante	11 X 16" 6-161-205 mm FM 4800H
5	1009181-4	Navmøtrik	Wheel Nut	Boulons	M18 x 1.5 mm
5	1009462	Konisk skive	Washer	Rondelles coniques	Ø18 mm
6	1009181-1	Leje	Bearing	Roulement	
7	1009181-6	Navkapsel	Hub Cap	Bouchon de moyeu	
8	1009181-5	Møtrik	Nut	Ecrou	
9	1009181-7	Tætningskive	Tension Disk	Rondelle	
10	1009181-3	Navbolt	Hub Bolt	Boulon de moyeu	M18 x 1.5 mm
11	1009181	Nav	Hub	Moyeu	
12	1009181-2	Leje	Bearing	Roulement	
13	1009181-8	Split	Split	Goupille	
14	1009185	Spindel	Spindle	Fusée	
15	1009187	Trykleje	Bearing	Roulement	
16	1009186	Bøsning	Bushing	Bague	
17	1009188	Pasfeder	Tongue	Clavette	14 x 9 x 30 mm.
18	1009176	Forbro	Axel Centre	Support de direction	FM4900
19	761239	Bolt	Bolt	Boulon	M10 x 80 mm.
20	1008195	Stopring	Stopring	Bague d'arrêt	
21	1007629	Aksel	Axle	Axe	Ø50 x 485 mm.
22	1008198	Afstandsskive	Collar	Entretoise	Ø70/50 x 2,0 mm.
23	763715	Bolt	Bolt	Boulon	M10 x 65 mm.
24	1008226	Bøsning	Bushing	Bague	Ø30/35 x 32 mm. Kravebøs.
25	1008101	Bøsning	Bushing	Bague	Ø50/55 x 40 mm.
27	1008220	Aksel	Axle	Axe	Ø30 x 235 mm.
28	761012-1	Kouse	Thimbles	Oeillets	Ø5 mm
29	761013-1	Wirelås	Wire Locks	Serre-câble	Ø5 mm
30	1007803	Wire	Steel Wire	Câble	Ø5 mm x 3000 mm.
31		Møtrik	Nut	Ecrou	M8
32	1010113	Wire	Steel Wire	Câble	Ø5 x 8580 mm. FM4900
33	761015-15	Wirerulle	Wire Roller	Poulie	
34	761015-10	Wirerulle Kpl.	Wire Roller Cpl.	Poulie Cpl.	
35	763595	Bolt	Bolt	Boulon	M12 x 1,5 x 90 mm.
36	1009194	Styrearm FM4900	Track Rod	Barre de liaison	FM4900 Længde 630 mm.
37	1009192	Spindelarm, højre	Arm Spindle, right	Biellette droite	
38	1009191	Spindelarm, venstre	Arm Spindle, left	Biellette gauche	
39	1008155	Styrekugle	Ball Joint	Rotule d'accouplement	M20 x 1,0 mm.
40	763600	Låsemøtrik	Nut	Ecrou	M20
41	1009170	Træk	Drawbar	Chape bras de guidage	
42	1008102	Bøsning	Bushing	Bague	Ø30/35 x 40 mm.
43	761286	Smørenippel	Grease Nipple	Graisseur	M6
44	1008203	Trækfjeder	Spring	Ressort	Ø9,0 x 250 mm.
45	1009341	Værktøjskasse	Tool box	Boîte à outils	L = 875 mm
46		Brædebolt	Bolt	Boulon	M8 x 20 mm.
47	763735	Bolt	Bolt	Boulon	M8 x 40 mm.
48	1008157	Kontramøtrik	Nut	Ecrou	M20 x 1,0 mm.
49	763866	Låsemøtrik	Nut	Ecrou	M12 x 1,5 mm
50	761114	Bolt	Bolt	Boulon	M10 x 25 mm
51	1009193	Bøsning	Bushing	Bague	
52	1009190-9	Skive	Washer	Rondelle	



**FM 4800H + 4900H fra maskin nr. 5986 / FM 4800H + 4900H from machine no. 5986
FM 4800H + 4900H à compter de la Machine Nr. 5986**

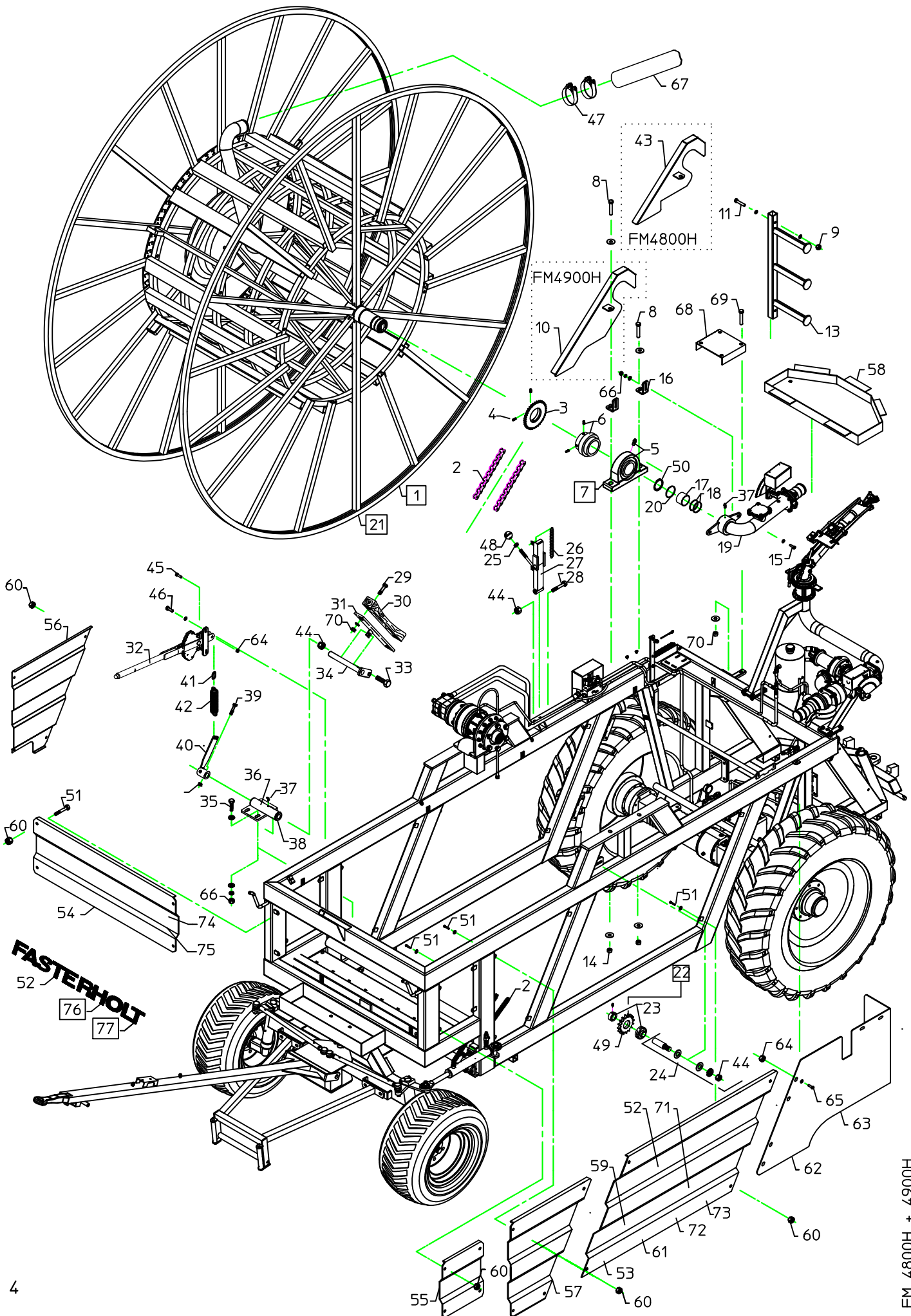
Pos. nr. Pos. No Pos. No.	Best. Nr. Part No Ordre No.	Benævnelse	Description	Nomenclature	Bemærkninger Remark Remarque
1	1010130	Skærm	Shield	Carter	
2	1010094	Aksel	Axle	Axe	Ø20 x 240 mm.
3	1010096	Bærerulle	Supporting Roller	Galet	5/4" x 255 mm + bøsn.
4	761125	Møtrik	Nut	Ecrou	M16
5	1010092	Afstandsrør	Pipe	Entretoise	Ø25/16 x 62 mm.
6	1008490	Stiver	Fittings	Patte de fixation	
7	1010090	Slangestyr	Hose Guide	Guide polyéthylène	
8	761032	Fjederskive	Spring Coller	Rondelle	Ø16 mm.
9	761287	Lejehus	Bearing Cap	Cage roulement	P 210 Ø 50 mm.
10	761288	Leje	Bearing	Roulement	UC 210 Ø50 mm.
11	761289	Leje, komplet	Ball Bearing, Complete	Palier, complet	UCP 210 Ø 50 mm.
12	761286	Smørenippel	Grease Nipple	Graisser	M 6
13	1010485	Aksel	Axle	Arbre de trancannage	Ø 60x1700 Ø 110
13	1010480	Aksel	Axle	Arbre de trancannage	Ø 60x1700 Ø 125
14	761285	Låsering	Snap Ring	Circlip	Ø 40 Indv.
15	-	-	-	-	-
16	761284	Skive	Tension Disk	Rondelle	SKIVE Ø8,4 / 38 X 1,6 MM. EL.
17	761283	Føringsaksel	Axle	Pion de trancannage	
18	1009875	Føringsmuffe	Guide sleeve	Guide de trancannage	
19	761115	Bolt	Bolt	Vis	M12 x 35 mm.
20	-	-	-	-	-
21	761061	Møtrik	Nut	Ecrou	M12
22	1001290	Kædehjul	Sprocket Wheel	Pignon 18 dts	3/4" x 18 T. Ø110
22	1761290	Kædehjul	Sprocket Wheel	Pignon 16 dts	3/4" x 16 T. Ø125
23	761070	Pinolskrue	Allen Screw	Vis Allen	M10 x 12 mm.
24	1008485	Holder	Fittings	Fixations	
25	761031	Bolt	Bolt	Vis	M16 x 55 mm.
26	34000009	Bronzebøsning	Bronze Bushing	Bague bronze	
27	761329	Låsering	Snap Ring	Circlip	
28	761017	Låsemøtrik	Nut	Ecrou	M10
29	761248	Skive	Tension Disk	Rondelle	Ø10 mm.
30	761114	Bolt	Bolt	Vis	M10 x 25 sæt.
31	1010477	Kæde	Roller Chain	Chaîne	3/4" X 7/16" X 268 LED FM4900 H
31	1010478	Kæde	Roller Chain	Chaîne	3/4" X 7/16" FM4800 H
32	761058	Samleled, fork.	Assembly Link	Attache rapide	3/4" x 7/16"
33	761056	Kædesamler	Assembly Link	Attache rapide, maillon	3/4" x 7/16"
34	1010085	Støtterør	Pipe	Axe	Ø48 x 1540 mm
35	763730	Bolt	Bolt	Boulon	M12 x 30 Indv. 6-kant.
36	761079	Bræddebolt	Carriage Bolt	Boulon	M10 x 20 mm.
37	761090	Bolt	Bolt	Boulon	M6 x 20
38	761212	Bolt	Bolt	Boulon	M10 x 70
39	1008475	Føringsmuffe (Støtterør)	Guide sleeve	Guide maintien trancannage	
40	763725	Bolt	Bolt	Boulon	M12 x 55



FM 4800H + 4900H

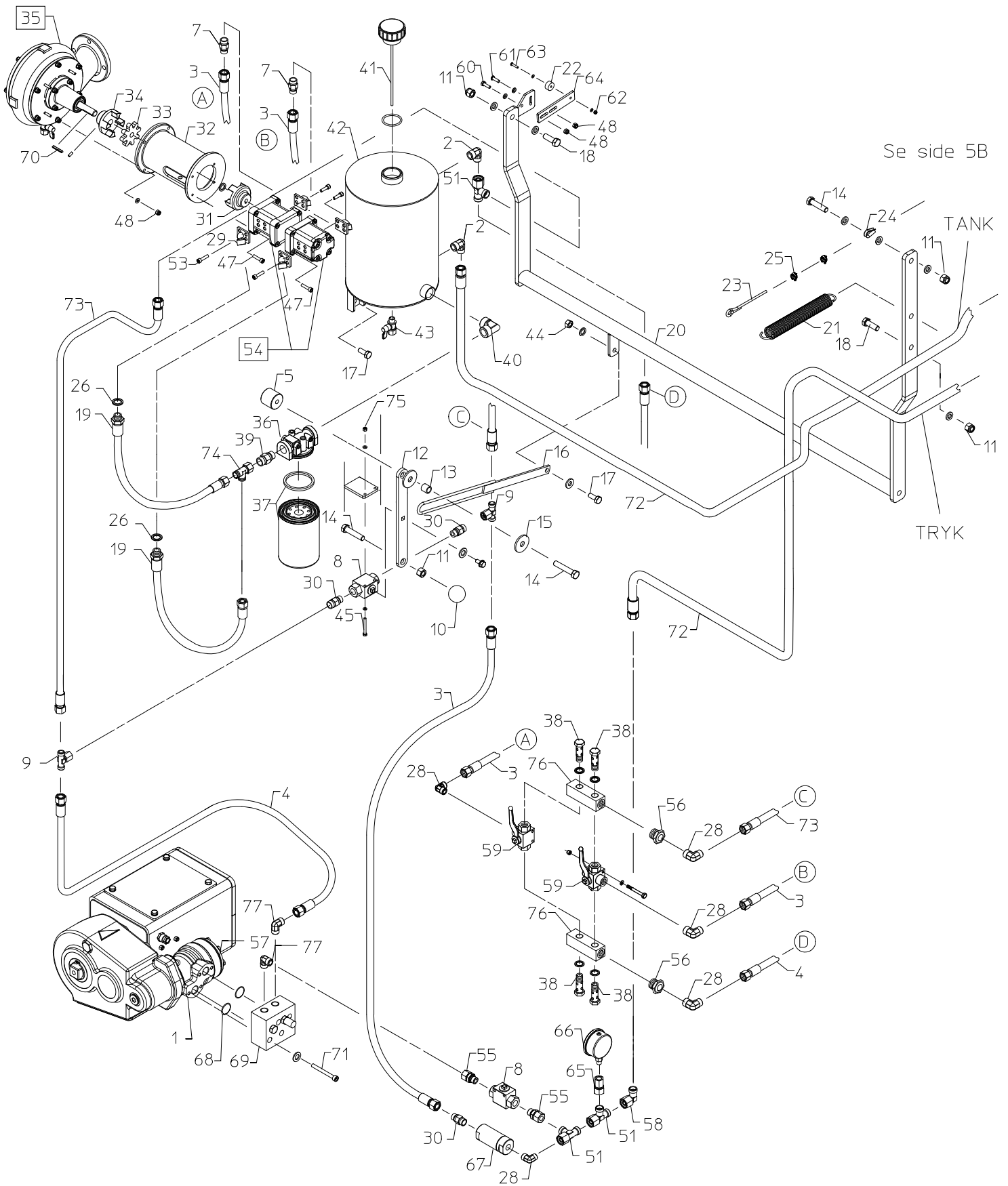
**FM 4800H + 4900H fra maskin nr. 5986 / FM 4800H + 4900H from machine no. 5986 /
FM 4800H + 4900H ab Maschinen-Nr. 5986 / FM 4800H + 4900H à compter de la Machine Nr. 5986**

Pos. nr. Pos. No Pos. No.	Best.. Nr. Part No Ordre No.	Benævnelse	Description	Nomenclature	Bemærkninger Remark Remarque
1	1010020	Pariserhjul	Hose Reel	Bobine	FM 4900H Ø3700
2	1010477	Kæde	Roller Chain	Chaîne	3/4" X7/16" X 268 LED FM4900H
2	1010478	Kæde	Roller Chain	Chaîne	3/4" X 7/16" FM4800 H
3	1010027	Kædehjul	Sprocket Wheel	Pignon	Ø110 3/4" x 38Z
3	1010028	Kædehjul	Sprocket Wheel	Pignon	Ø125 3/4" x 37Z
4	761070	Pinolskrue	Allen Screw	Vis Allen	M10 x 12 mm
5	1010492	Lejehus	Bearing Cap	Cage roulement	P 220
6	1010491	Leje	Bearing	Roulement	UC 220
7	1010490	Leje, Komplet	Ball Bearing, Complete	Palier complet	UCP 220
8	763590	Bolt	Bolt	Boulon	M20 x 100 mm
9	763750	Låsemøtrik	Nut	Ecrou	M16
10	1010558	Kædeskærm	Shield	Carter chaîne	FM 4900H
11	-	Bolt	Bolt	Boulon	M16 x 115 mm.
12	-	Bolt	Bolt	Boulon	M20 x 100 mm.
13	1010530	Stige	Ladder	Échelle	3 stk. trin
14	763600	Låsemøtrik	Nut	Ecrou	M20
15	761116	Bolt	Bolt	Boulon	M12 x 40 mm.
16	1001087	Beslag	Fittings	Patte de fixation	
17	36000151	Rør, Rustfri	Tube	Frête	
18	630100	Tætningsring	Nut Ring	Joint (Souple)	Ø100/120 x 10 mm. Blød
18	630101	Tætningsring	Nut Ring	Joint (Rigide)	Ø100/120 x 10 mm. Hård
19	1010070	Bøjning	Bend	Coude	
20	624101	O-ring	Cap	Joint torique	3,0 x 88,0 O-RING V. Ø90 RUSTF.BØSNING
21	1010150	Pariserhjul	Hose Reel	Bobine	FM 4800H Ø3480
22	2351278	Kædehjul, komplet	Sprocket Wheel, Complete	Pignon	
23	761276	Leje	Bearing	Roulement	
24	761275	Aksel	Axel	Axe	Ø20 X 80 MM Rustfri
25	761061	Møtrik	Nut	Ecrou	M12
26	570114	Fjeder	Spring	Ressort	Ø1.75 x 110 mm
27	1008260	Låsepal	Non-return (Hose Reel)	Anti-retour de bobine	
28	761103	Bolt	Bolt	Boulon	M16 x 90 mm
29	763620	Bræddebolt	Carriage Bolt	Boulon	M8 x 40 mm
30	902120-1	Bremseklods	Brake Lining	Patin frein	
31	902119	Bremsesko	Fittings	Support patin	
32	761113	Bremsehåndtag	Brake Lever	Levier frein	Højre
33	-	Bolt	Bolt	Boulon	M16 x 35 mm
34	1008355	Aksel	Axel	Axe	
35	761115	Bolt	Bolt	Boulon	M12 x 35 mm
36	1009335	Rør for bremse	Tube, brake	Tube, frein	
37	761286	Smørenippel	Grease Nipple	Graisneur	M6
38	1009337	Pomleje	Coller Linings	Bague nylon	Ø25 mm.
39	763630	Bolt	Bolt	Boulon	M10 x 55 mm.
40	1009275	Bremsearm	Brake Lining	Levier frein	
41	761338	Kædeled	Chain Link	Maillon de chaîne	Ø6,0
42	761110	Fjeder	Spring	Ressort	Ø32 x ø6,0 x 180 mm
43	1010559	Kædeskærm	Shield	Carter chaîne	FM 4800H
44	763750	Låsemøtrik	Nut	Ecrou	M16
45	763605	Bolt	Bolt	Boulon	M10 x 35 mm
46		Bolt	Bolt	Boulon	M10 x 20 mm
47	16200732	Spændebånd	Hose Clip	Collier	Ø104-112 mm. Ø110
47	16200735	Spændebånd	Hose Clip	Collier	Ø122-130 mm. Ø125
48	763300	Kuglehåndtag	Lever	Ecrou	M12 x 40 mm
49	2351277	Kædehjul	Sprocket Wheel	Pignon	3/4" x 15 T
50	1010495	Låsering	Snap Ring	Circlip	Ø 100 mm
51		Bolt	Bolt	Boulon	M8 x 20 mm Rustfri
52	1010562	Label	Label	Autocollant	FASTERHOLT
53	1010545	Skærm, venstre	Shield, left	Carter, gauche	FM4900H
54	1010550	Navneplade	Name Plate	Plaque constructeur	
55	1010540	Skærm	Shield	Carter	
56	1010536	Skærm, højre	Shield, right	Carter, droit	m. udskæring
57	1010535	Skærm, venstre	Shield, left	Carter, gauche	
58	1010520	Bundplade	Bottom Plate	Plaque du bas	Aluminium
59	1010552	Label	Label	Autocollant	FM 4900 HYDRO



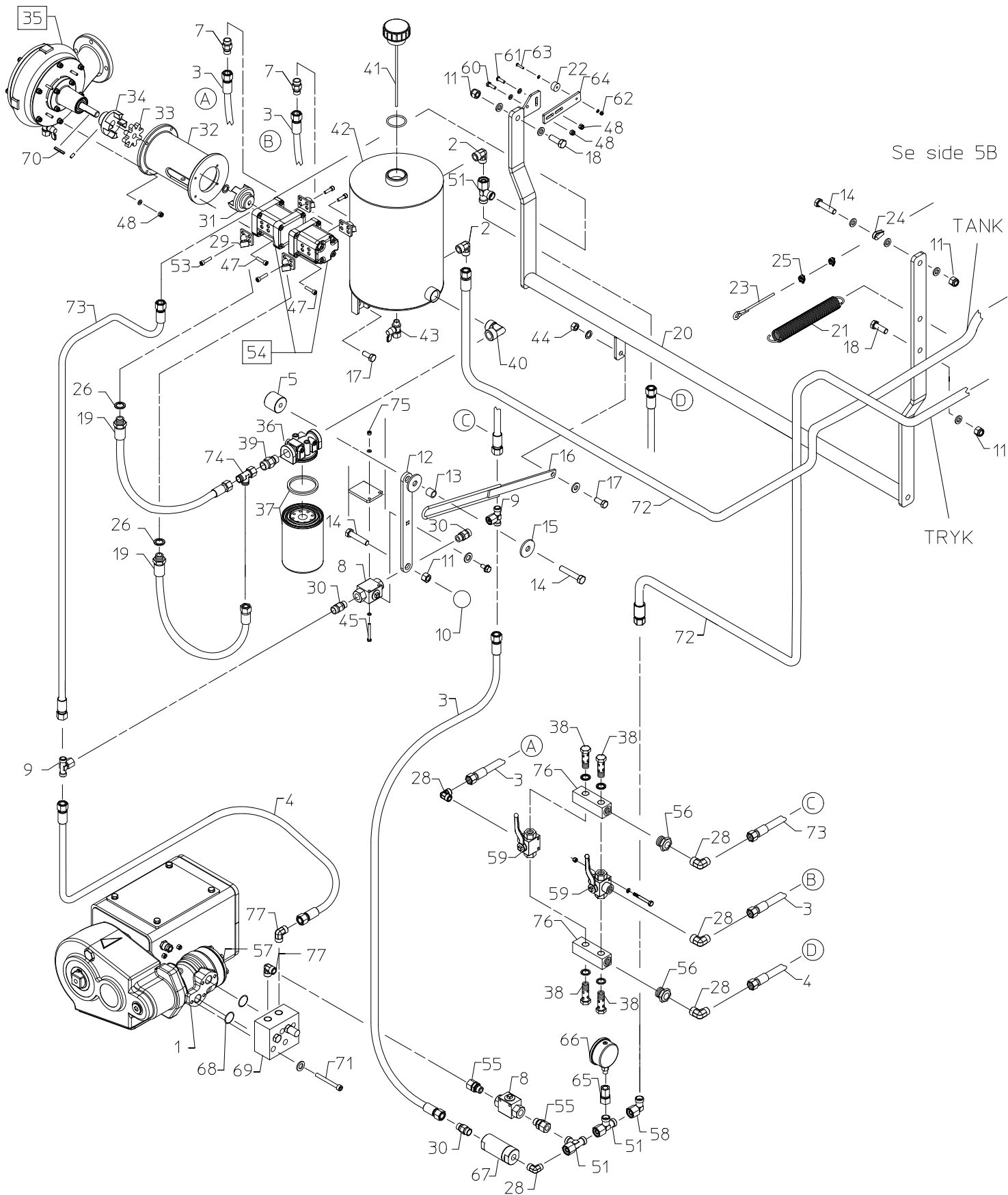
**FM 4800H + 4900H fra maskin nr. 5986 / FM 4800H + 4900H from machine no. 5986 /
FM 4800H + 4900H ab Maschinen-Nr. 5986 / FM 4800H + 4900H à compter de la Machine Nr. 5986**

Pos. nr.	Best.. nr.	Benævnelse	Description	Nomenclature	Bemærkninger
Pos. No	Part No				Remark
Pos. No.	Ordre No.				Remarque
60	763930	Hættemøtrik	Nut	Ecrou	M8
61	1010546	Skærm,højre	Shield,right	Carter, droit	FM4900H
62	1010501	Inderskærm, højre	Shield, right	Carter, droit	
63	1010500	Inderskærm , venstre	Shield, left	Carter, gauche	
64	763864	Låsemøtrik	Nut	Ecrou	M10
65	763727	Bolt	Bolt	Boulon	M10 x 25 Rundh. Indv.6-kant
66	763865	Låsemøtrik	Nut	Ecrou	M12
67	43110xxx	Slange	Hose	Polyéthylène	Ø110
67	43125xxx	Slange	Hose	Polyéthylène	Ø125
68	1010525	Topplade	Top Plate	Plaque du haut	Aluminium
69	-	Bræddbolt	Bolt	Boulon	M8 x 20 mm
70	763863	Låsemøtrik	Nut	Ecrou	M8
71	1010556	Label	Label	Autocollant	FM 4800 HYDRO
72	1010502	Skærm,venstre	Shield,left	Carter, gauche	FM4800H
73	1010503	Skærm,højre	Shield,right	Carter, droit	FM4800H
74	1010550-1	Label	Label	Autocollant	FM 4900H (Navneplade)
75	1010550-3	Label	Label	Autocollant	FM 4800H (Navneplade)
76	1010566	Label, kpl.	Label , cpl.	Autocollant , cpl.	FM 4800H
77	1010567	Label, kpl.	Label , cpl.	Autocollant , cpl.	FM 4900H



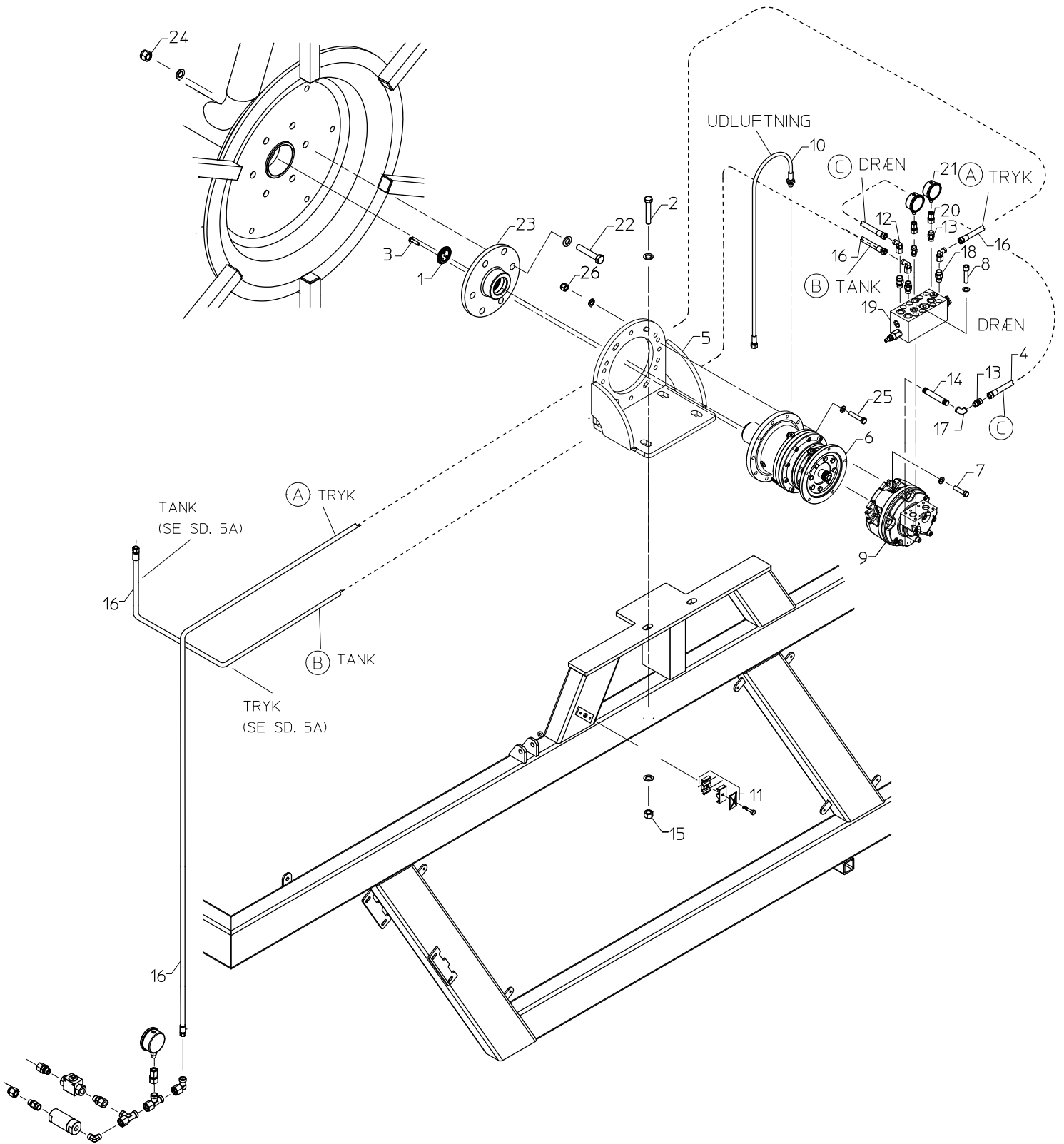
**FM 4800H + 4900H fra maskin nr. 5986 / FM 4800H + 4900H from machine no. 5986 /
FM 4800H + 4900H ab Maschinen-Nr. 5986 / FM 4800H + 4900H à compter de la Machine Nr. 5986**

Pos. nr. Pos. No Pos. No.	Best.. nr. Part No Ordre No.	Benævnelse	Description	Nomenclature	Bemærkninger Remark Remarque
DOBBELTPUMPE / DOUBLE POMPE / DOPPELPUMPE					
1	1007443	Oliemotor	Oil-engine	Moteur hydraulique	
2	1007536	Vinkel	Angle	Raccord coude	1/2" x Ø12 mm.
3	1008601	Slange	Hose	Tuyau	3/8" x 1600 mm. TRYK 2xØ12 Oml.
4	1008601	Slange	Hose	Tuyau	3/8" x 1600 mm. RETUR 2xØ12 Oml.
5	1007511	Stopklods for kuglehane	Stop block	Butoir	Ø40 / M12 X 35 MM.
6	1008620	Vinkel	Angle	Raccord coude	Ø15 x Ø15 Fast oml.
7	1007726	Nippel	Nipple	Réducteur	1/2" x Ø12 Skæring
8	1007510	Kuglehane	Valve	Vannel	3/8" x 2 vejs
9	1007518	Tee	Tees	Raccords T	Ø12 x Ø12 Fast oml. x Ø12
10	763300	Kuglehåndtag	Lever	Levier	M12 x 40 mm.
11	761252	Låsemøtrik	Nut	Ecrou	M 12
12	1008335	Håndtag	Lever	Brais levier	
13	1009262	Afstandsrør	Pipe	Entretoise	3/8" x 13 mm.
14	761116	Bolt	Bolt	Boulon	M12 x 40 mm.
15	763330	Skive	Washer	Rondelle	Ø50/13 mm.
16	1009260	Stopstang	Stoplever	Biellette	
17	761114	Bolt	Bolt	Boulon	M10 x 25 mm.
18	761115	Bolt	Bolt	Boulon	M12 x 35 mm.
19	1007525	Slange	Hose	Tuyau	1/2" x 650mm 1xØ15 Oml. 1x1/2"Udv. SUG
20	1010120	Bøjle	Clamp	Barre de dégagement	
21	761274	Fjeder	Spring	Ressort	Ø3,5 x 250 mm.
22	1005530	Magnet	Magnet	Aimant	Ø20 x 10 mm.
23		Wire	Steel Wire	Câble	Ø5 x 8580 mm
24	761012-1	Kouse	Thimbles	Oeillet	Ø5 Rustfri
25	761013-1	Wirelås	Wire Locks	Serre câbels	Ø5 Rustfri
26	801709	Skive	Washer	Rondelle	1/2"
27		-			
28	1007544	Vinkel	Angle	Raccord coude	3/8" x Ø12 mm.
29	1007420	Vinkelflange	Angle	Raccord coude	1/2"
30	1007724	Nippel	Nipple	Réducteur	3/8" x Ø12 Skæring
31	1007450	Kobling	Coupling	Accouplement pompe	
32	1007110	Pumpeflange	Pump-flange	Carter	
33	1007470	Gummiring	Rubbering	Rondelle accoupl	
34	1007460	Kobling	Coupling	Accouplement turbine	Udb. Ø15 mm.
35	195000V-1	Turbine	Turbine	Turbine	20/50 Venstre
36	1007484	Filterhus	Filter Cap	Cage filtre	
37	1007482	Løs filter	Filter	Filtre	
38	1009395	Banjobolt	Banjo Bolt	Boulon banjo	3/8"
39	1007526	Nippel	Nipple	Réducteur	3/4" x Ø15 mm
40	1007540	Vinkel	Angle	Raccord coude	3/4" x 3/4"
41	1007500	Dæksel	Cap	Bouchon - jauge	5/4"
42	1007490	Tank	Oiltank	Réservoir	
43	195010	Kuglehane	Valve	Vanne	1/4"
44	763864	Låsemøtrik	Nut	Ecrou	M10
45	763450	Bolt	Bolt	Boulon	M5 x 45 mm
46	1007529	Nippel	Nipple	Réducteur	1/2" x Ø12 Fast oml.
47	763460	Bolt	Bolt	Boulon	M6 x 25 mm. indiv. 6-kant
48	761091	Låsemøtrik	Nut	Ecrou	M6
49	763420	Bolt	Bolt	Boulon	M12 x 30 mm.
50	1007544	Vinkel	Angle	Raccords coude	3/8" x Ø12 mm.
51	1007531	Tee	Tees	Raccords T	Ø12 x Ø12 x Ø12 Fast oml.
52	1008609	Slange	Hose	Tuyau	3/8" x 1200 mm. RETUR
53	763460	Bolt	Bolt	Boulon	M6 x 25 mm Indv. 6-kant
54	1010944	Hydraulikpumpe Kpl.	Oil-pump	Pompe hydarulique	2,2 cm ³ og 1,7 cm ³
55	890414	Nippel	Nipple	Réducteur	3/8" x Ø12 Fast oml.
56	1007528	Nippel	Nipple	Réducteur	3/4" x 3/8"
57	1007440-1	Pakningssæt	Gasket set	Jeu de joints	For Danfoss Motor
58	1008622	Vinkel	Angle	Raccord coude	Ø12 x Ø12 Fast oml.
59	1007508	Kuglehane	Ball Valve	Robinet à tournant sphérique	3/8 x 3 vejs
60	761090	Bolt	Bolt	Boulon	M6 x 20 mm
61	763820	Brædebolt	Bolt	Boulon	M6 x 20 mm
62		Låsemøtrik	Nut	Ecrou	M4
63	763518	Bolt	Bolt	Boulon	M4 x 25 mm
64	1009347	Beslag, magnet	Fitting, Magnet	Patte de fixation, Aiment	Ø20/10 mm Magnet
65	1010979	Nippel	Nipple	Réducteur	Ø12 Fast oml. x 1/4" Indv. gev.



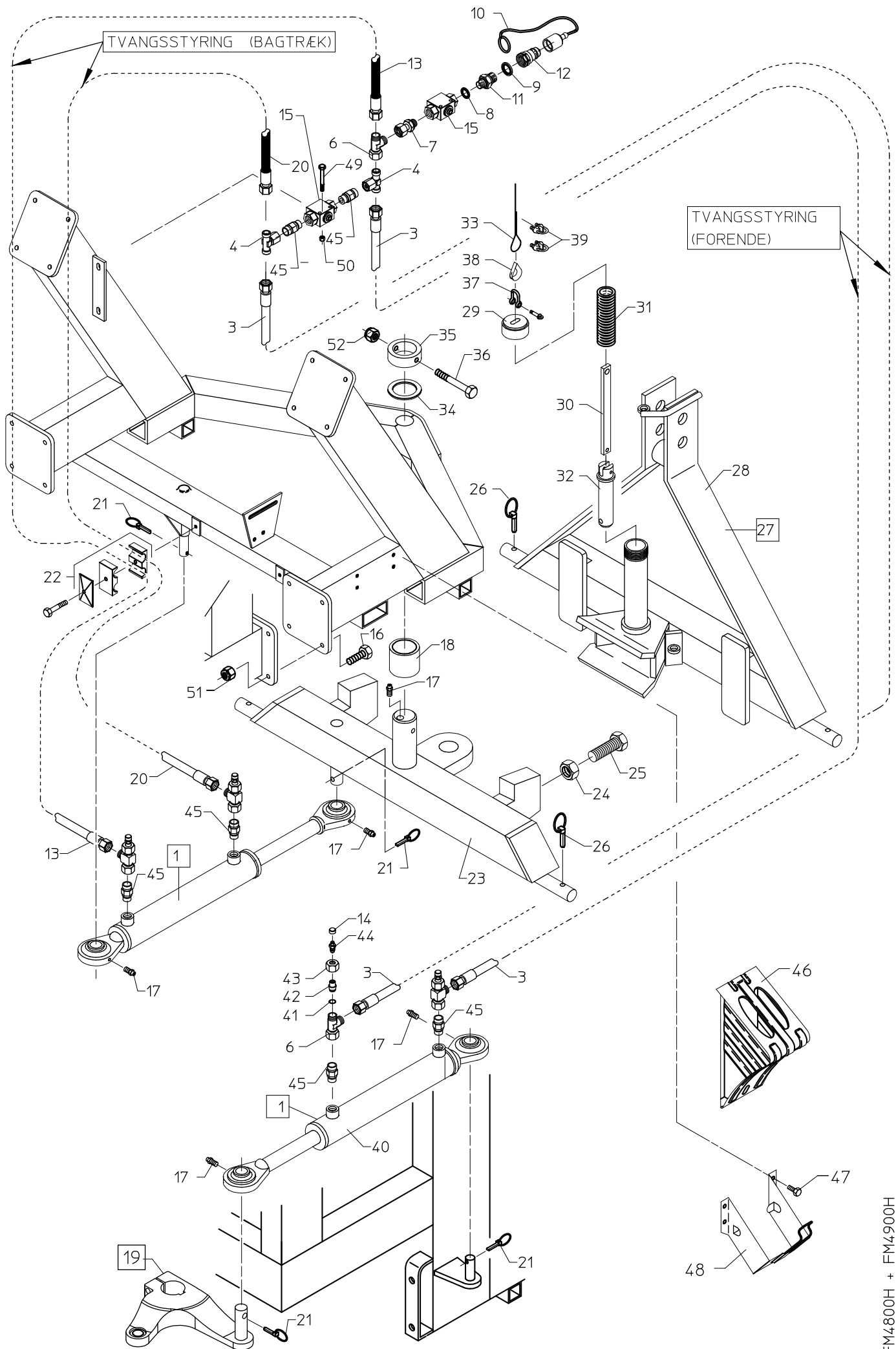
**FM 4800H + 4900H fra maskin nr. 5986 / FM 4800H + 4900H from machine no. 5986 /
FM 4800H + 4900H ab Maschinen-Nr. 5986 / FM 4800H + 4900H à compter de la Machine Nr. 5986**

Pos. nr.	Best.. Nr.	Benævnelse	Description	Nomenclature	Bemærkninger
Pos. No	Part No				Remark
Pos. No.	Ordre No.				Remarque
DOBBELTPUMPE / DOUBLE POMPE / DOPPELPUMPE					
66	761163-4	Manometer	Manometer	Manomètre	1/4 " – 100 bar
67	1010970	Filter	Filter	Filtre	Højtryk
68	-	O-ring	Cap	Joint torique	
69	1013950	Ventil for oliemotor	Valve Oil-engine	Valve Moteur hydraulique	
70	195255	Pasfeder	Tongue	Clavette	4 X 4 X 28 MM. "A"
71		Bolt	Bolt	Boulon	M8 x 70 mm Indv. 6-kant
72	1010988	Slange	Hose	Tuyau	3/8" x 3600 MM m. 2xØ12 oml.
73	1008600	Slange	Hose	Tuyau	3/8" x 1050 mm.
74	1007516	Tee	Tees	Raccords T	Ø15 x Ø15 x Ø15 Fast oml.
75	763860	Låsemøtrik	Nut	Ecrou	M5
76	1009390	Banjoblok	Banjo Block	Bloc hydraulique	
77	1007544	Vinkel	Angle	Raccord coude	



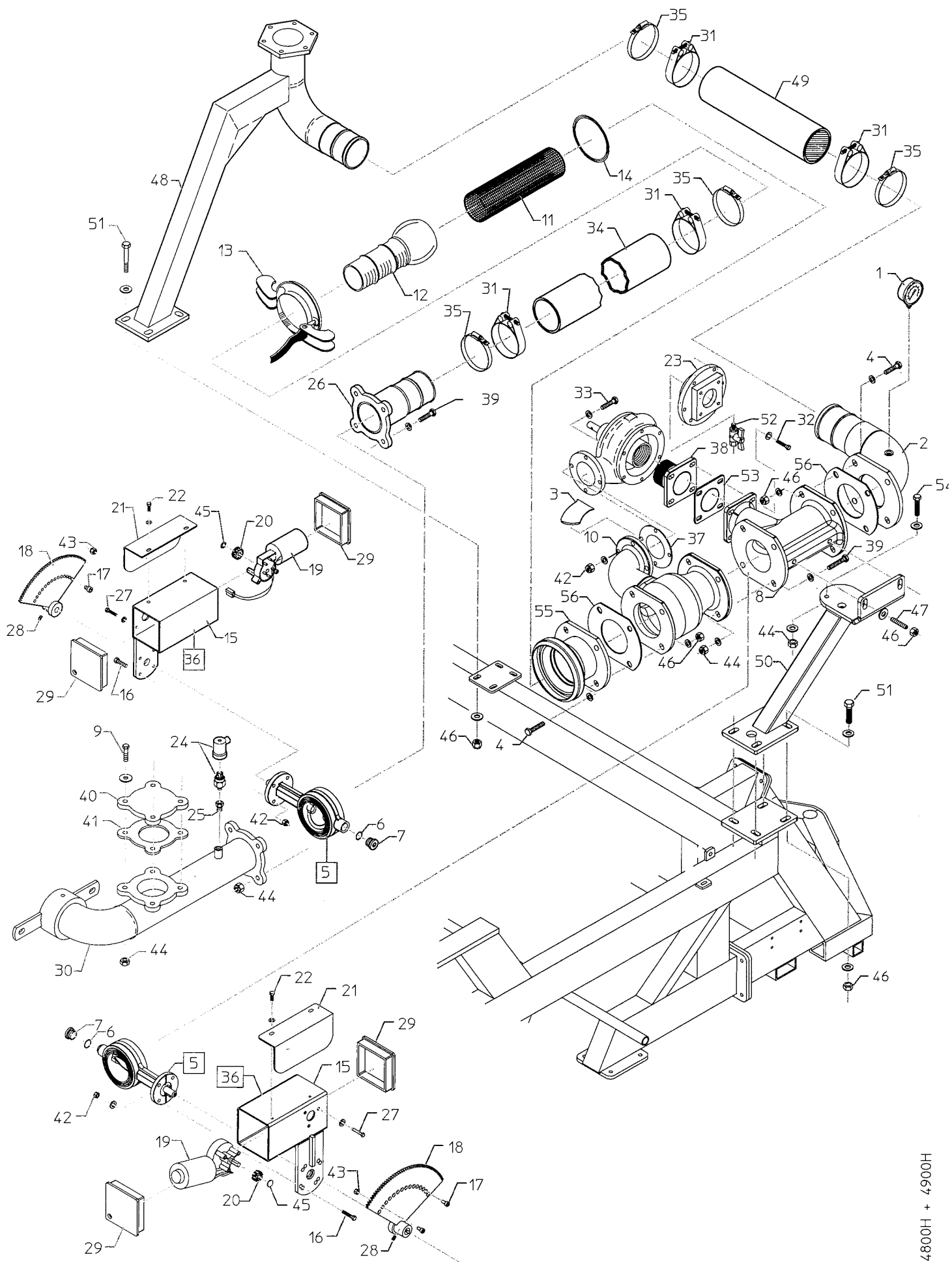
**FM 4800H + 4900H fra maskin nr. 5986 / FM 4800H + 4900H from machine no. 5986 /
FM 4800H + 4900H ab Maschinen-Nr. 5986 / FM 4800H + 4900H à compter de la Machine Nr. 5986**

Pos. nr. Pos. No Pos. No.	Best.. Nr. Part No Ordre No.	Benævnelse	Description	Nomenclature	Bemærkninger Remark Remarque
GEAR FOR SLANGEOPTRÆK / ENGRENAGE POUR RÉTRACTION DU TUYAU / GETRIEBE FÜR SCHLAUCH					
1	1010916	Låseskive for aksel	Lock Washer	Rondelle	
2	-	Bolt	Bolt	Boulon	M20 x 60 mm
3	-	Bolt	Bolt	Boulon	Unders.konisk Indv. 6-kant M8 x 20 mm
4	1008612	Slange	Hose	Tuyau	3/8" x 600 MM m. 2xØ12 oml. DRÆN
5	1010700	Gearkonsol	Gear console	Console	
6	1013910	Gear	Gear	Transmission	
7	-	Bolt	Bolt	Boulon	M12 x 35 mm
8	-	Bolt	Bolt	Boulon	M10 x 80 mm Rundh. m. indiv. 6-kant
9	1013930	Oliemotor	Oil-motor	Moteur hydraulique	-
10	1010981	Slange	Hose	Tuyau	1/4" x1230MM 1X3/8"UDV. 1x3/8"INDV. Udluftning
11	1007514	Slangeholder	Hoseholder	Fixation flexible	Ø16 x 16 mm
12	1008622	Vinkel	Angle	Raccord coude	Ø12 x Ø12 fast oml.
13	1010978	Nippel	Nipple	Réducteur	1/4" x Ø12 mm
14	1013830	Nippelrør	Pipe Fitting	Raccord	1/4" x 120 mm
15	763600	Låsemøtrik	Nut	Ecrou	M20
16	1010988	Slange	Hose	Tuyau	3/8" x 3600 MM m. 2xØ12 oml.
17	1013831	Vinkel	Angle	Raccord coude	1/4" muffe - muffe
18	1007724	Nippel	Nipple	Réducteur	3/8" x Ø12 MM
19	1013940	Ventilblok	Valve block	Valve block	-
20	1010979	Nippel	Nipple	Réducteur	Ø12 FAST OML. x 1/4" INDV. G
21	761163-4	Manometer	Manometer	Manomètre	1/4"
22	-	Bolt	Bolt	Boulon	M20 x 1.5 x 60 mm Fingevind
23	1010930	Mangenotflange	Flange	Bride	Ø250
24	-	Låsemøtrik	Nut	Ecrou	M20 x 1.5 Fingevind
25	763485	Bolt	Bolt	Boulon	M12 x 50 mm
26	763865	Låsemøtrik	Nut	Ecrou	M12



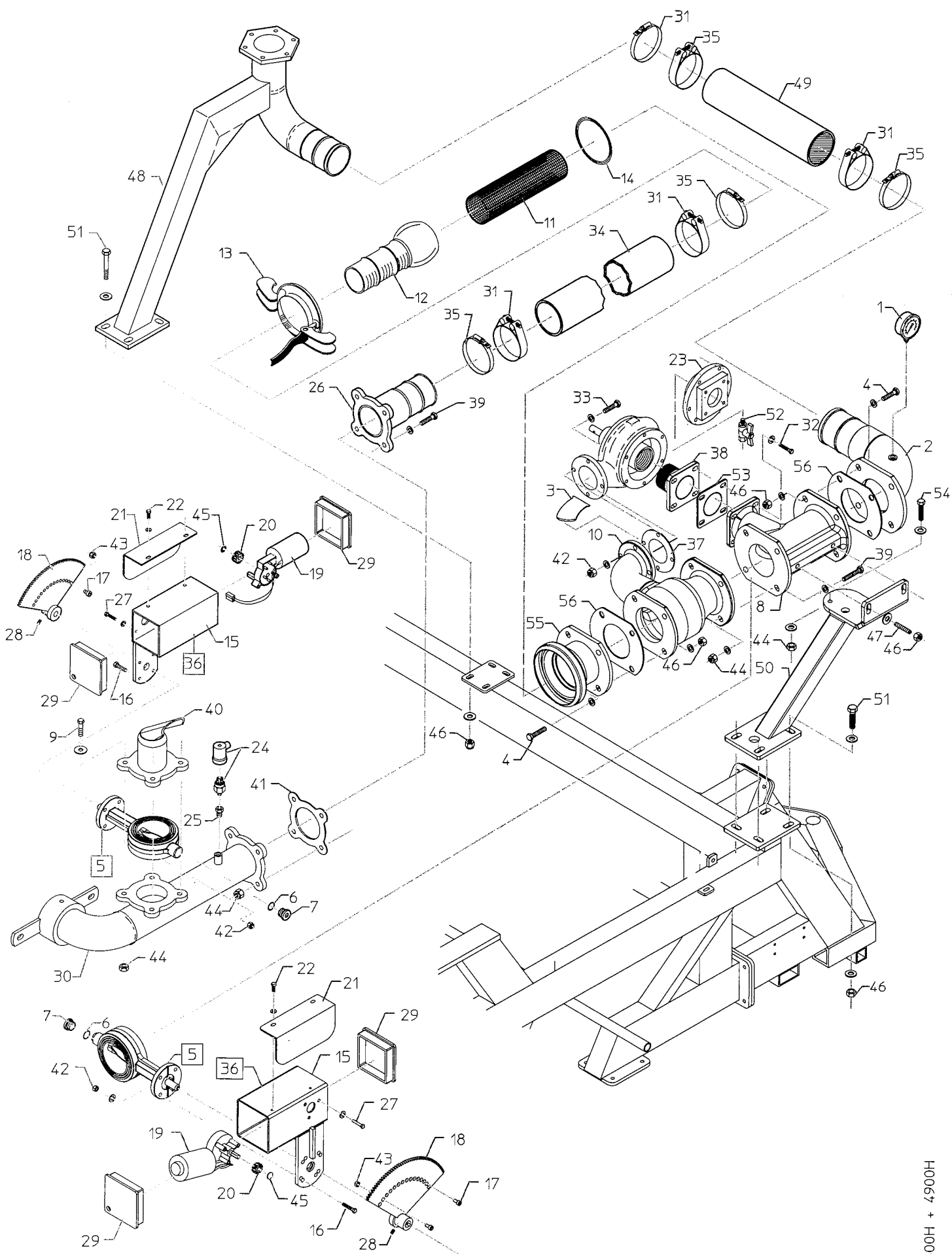
**FM 4800H + 4900H fra maskin nr. 5986 / FM 4800H + 4900H from machine no. 5986
FM 4800H + 4900H à compter de la Machine Nr. 5986**

Pos. nr. Pos. No Pos. No.	Best. Nr. Part No Ordre No.	Benævnelse	Description	Nomenclature	Bemærkninger Remark Remarque
1	1008585	Cylinder, Komplet	Cylinder, Complete	Vérin	Ø50/30 x 280 mm.
2	-	-	-	-	-
3	1010980	Slange	Hose	Flexible hydraulique	3/8" x 7000 mm.
4	1007518	Tee	Tees	Raccords T	Ø12 x Ø12 Fast oml. x Ø12
5	-	-	-	-	-
6	1007531	Tee	Tees	Raccords T	Ø12 x Ø12 x Ø12 Fast oml.
7	890414	Nippel	Nipple	Réducteur	3/8" x Ø12 Fast oml.
8	BS18	Skive	Washer	Rondelle	3/8"
9	801709	Skive	Washer	Rondelle	1/2"
10	801711	Plastprop	Plastic plug	Plastique Bouchon	1/2"
11	1007538	Nippel	Nipple	Réducteur	3/8" x 1/2" lige
12	801710	Han kobling	Quick Coupling	Raccord rapide mâle	1/2"
13	1008600	Slange	Hose	Tuyau	3/8" x 1050 mm. (Bagtræk)
14	1007502	Hætte	Cap	Bouchon	
15	1007510	Kuglehane	Valve	Vanne	3/8"
16	763625	Bolt	Bolt	Boulon	M16 x 40 mm.
17	761286	Smørenippel	Grease Nipple	Graisser	M6
18	1008101	Bøsning	Bushing	Bague	Ø50/55 x 40 mm.
19	1009191	Spindelarm venstre, cpl.	Arm Spindle, left cpl	Biellette gauche, cpl.	
20	1008601	Slange	Hose	Tuyau	3/8" x 1600 mm. (Bagtræk)
21	763640	Split	Split	Goupille de sécurité	Ø6,0 mm.
22	1007514	Slangeholder	Hoseholder	Fixation flexible	Ø18,0 mm.
23	1008250	Bagtræk	Drawbar	Barre de attelage	
24	763755	Møtrik	Nut	Ecrou	M24
25	763645	Bolt	Bolt	Boulon	M24 x 80 mm. Sæt
26	763642	Split	Split	Goupille de sécurité	Ø8,0 mm.
27	1008280	Trækramme, komplet	Frame, Complete	Attelage complet	
28	1008281	Trækramme	Frame	Châssis	
29	1008286	Dæksel	Cap	Bouchon	
30	1008284	Arm	Shaft	Patte de liaison	
31	1008290	Trykfjeder	Spring	Ressort	ø32 x 210 mm.
32	1008282	Træktap	Drawpin	Axe	
33	1008292	Wire	Steel Wire	Câble	2700 mm.
34	1008198	Skive	Washer	Rondelle	Ø50/70 x 2,0 mm.
35	1008195	Stopring	Stopring	Bague de arrêt	
36	761239	Bolt	Bolt	Boulon	M10 x 80 mm.
37	761187	Sjækel	Thimbles	Manille	1/4" Galv.
38	761012-1	Kouse	Thimbles	Oeillet	Ø5,0
39	761013-1	Wirelås	Wire Locks	Sere câble	Ø5,0
40	1008585-1	Pakningssæt	Gasket set	Jeu de joints	50/30 mm. Cylinder
41	1007498	O-ring	Cap	Joint torique	
42	1007499	Nippel	Nipple	Réducteur	Rustfri
43	1007505	Omløber	Nut	Ecrou	M18 x 1,5 mm.
44	1007501	Udluftningsnippel	Nipple	Réducteur	
45	1007724	Nippel	Nipple	Réducteur	3/8" x Ø12 Skæring
46	1005800	Stopklods	Stop Block	Butoir	
47	763520	Bolt	Bolt	Boulon	M8 x 16 mm
48	1005805	Holder for stopklods	Holder Stop Block	Support de butoir	
49	763450	Bolt	Bolt	Boulon	M5 x 45 mm
50	763860	Låsemøtrik	Nut	Ecrou	M5
51	763750	Låsemøtrik	Nut	Ecrou	M16
52	763864	Låsemøtrik	Nut	Ecrou	M10
53	1008280-1	Trækramme Hydr., kpl	Frame Hydraulic, Cpl.	Attelage cpl.	
54	1008281-1	Trækramme Hydraulisk	Frame Hydraulic	Châssis Hydraulique	



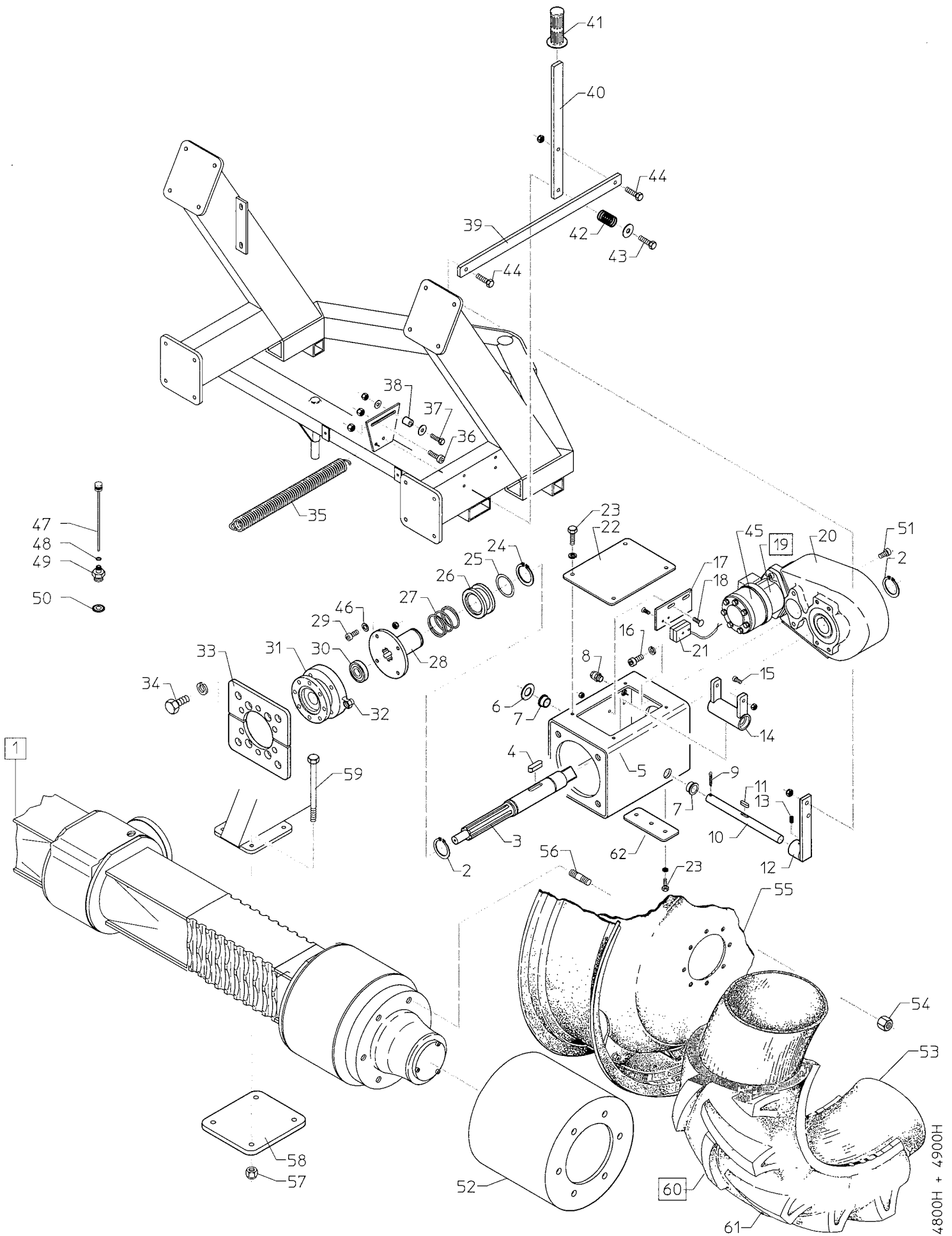
**FM 4800H + 4900H fra maskin nr. 5986 / FM 4800H + 4900H from machine no. 5986
FM 4800H + 4900H à compter de la Machine Nr. 5986**

Pos. nr. Pos. No Pos. No.	Best. nr. Part No Ordre No.	Benævnelse	Description	Nomenclature	Bemærkninger Remark Remarque
STOP FOR OVERTRYK/ ARRÊT SURPRESSION					
1	1001163	Manometer	Manometer	Manomètre	1/4" 0 - 10 bar.
2	1009324	Flange m. slangestuds	Flange	Bride	3"
3	13000085	Strålesamler for bundrør	Waterjet collector	Collecteur	
4	761116	Bolt	Bolt	Boulon	M12 x 40 mm.
5	1007250	Ventil	Valve	Vanne papillon	3"
6	1007255	O-ring	O-ring	Joint-Torique	
7	-	Dæksel	Cap	Bouchon	
8	33000227	Udgangssrør turbine	Pipe	Tube turbine	
9	761083	Bolt	Bolt	Boulon	M10 x 40 mm.
10	33000226	Bundrør turbine	Pipe	Tube turbine	
11	1005753	Filter	Filter	Filtre	Ø90 indiv. x 200 mm.
12	1009290	Rør m/han kobling	Pipe	Raccord "Bauer"	HK-108
13	14050013	Greb	Lever	Bride	HK-108
14	14050043	O-ring	O-ring	Joint Torique	HK-108
15	1007170	Motorhus	Enginehousing	Logement moteur	
16	763430	Bolt	Bolt	Boulon	M8 x 30 mm.
17	763680	Bolt	Bolt	Boulon	M8 x 16 mm. indiv. 6-kant
18	1007195	Tandhjul	Cogwheel-Big	Crémaillère	Udb. Ø15,8 mm.
19	1007180	Motor	Engine	Moteur	12v.
20	1007190	Tandhjul	Cogwheel-Small	Pignon	10 T.
21	1007185	Skærm	Shield	Carter	
22	763525	Bolt	Bolt	Boulon	M6 x 10 mm.
23	13000086	Turbinedæksel	Turbine bearing cap	Couvercle de turbine	Aluminium
24	1007545	Pressostat	Pressostat	Pressostat	5 m.
25	763530	Nippel	Nipple	Réducteur	1/4" x 1/8"
26	1009312	Flange	Flange	Tube entrée régulation	L = 150 mm.
27	763535	Bolt	Bolt	Boulon	M6 x 16 mm.
28	763540	Unbracoskrue	Allen Screw	Vis Allen	M6 x 6 mm.
29	1007175	Lukkeprop	Plug	Couvercle	
30	1010070	Bøjning	Bend	Coude	
31	16200726	Spændebånd	Hose clip	Collier	Ø86 - 92 mm.
32	763519	Bolt	Bolt	Collier	M8 x 20 mm.
33	763735	Bolt	Bolt	Collier	M8 x 40 mm.
34	1007910	Slange	Hose	Souple	Ø90 x 900 mm
35	763040	Spændebånd	Hose clip	Collier	Ø77-95 mm.
36	1007230	Motorventil, Komplet	Valve	Vanne motorisée compl.	3"
37	522085	Flangepakning	Paper Gasket	Joint papier	
38	13000063	Flange	Flange	Bride	2"
39	761239	Bolt	Bolt	Boulon	M10 x 80 mm.
40	1007098	Blændflange	Flange	Bride	
41	631112	Flangepakning	Paper Gasket	Joint papier	Ø180/85 x 2.0 mm
42	763863	Låsemøtrik	Nut	Ecrou	M8
43	763752	Møtrik	Nut	Ecrou	M8
44	763864	Låsemøtrik	Nut	Ecrou	M10
45	1007184	Klemring	Tightening Ring	Bague	U-7.0
46	-	Møtrik	Nut	Ecrou	M12
47	763764	Pinoiskrue	Bolt	Boulon	M12 x 60 mm
48	1007655	Kanonrør	Pipe	Support canon	
49	-	Slange	Hose	Souple	Ø90 x 550 mm
50	1009120	Ophæng for turbine	Turbine Mounting	Support de Turbine	
51	761229	Bolt	Bolt	Boulon	M12 x 35 mm.
52	195010	Kuglehane	Valve	Vanne de purge	1/4"
53	631955	Flangepakning	Paper Gasket	Joint papier	2RG
54	763575	Bolt	Bolt	Boulon	M10 x 70 mm
55	1009328	Flange	Flange	Bride	HK108 Bæger
56	631109	Flangepakning	Paper Gasket	Joint papier	Ø185/95 X 2.0 MM



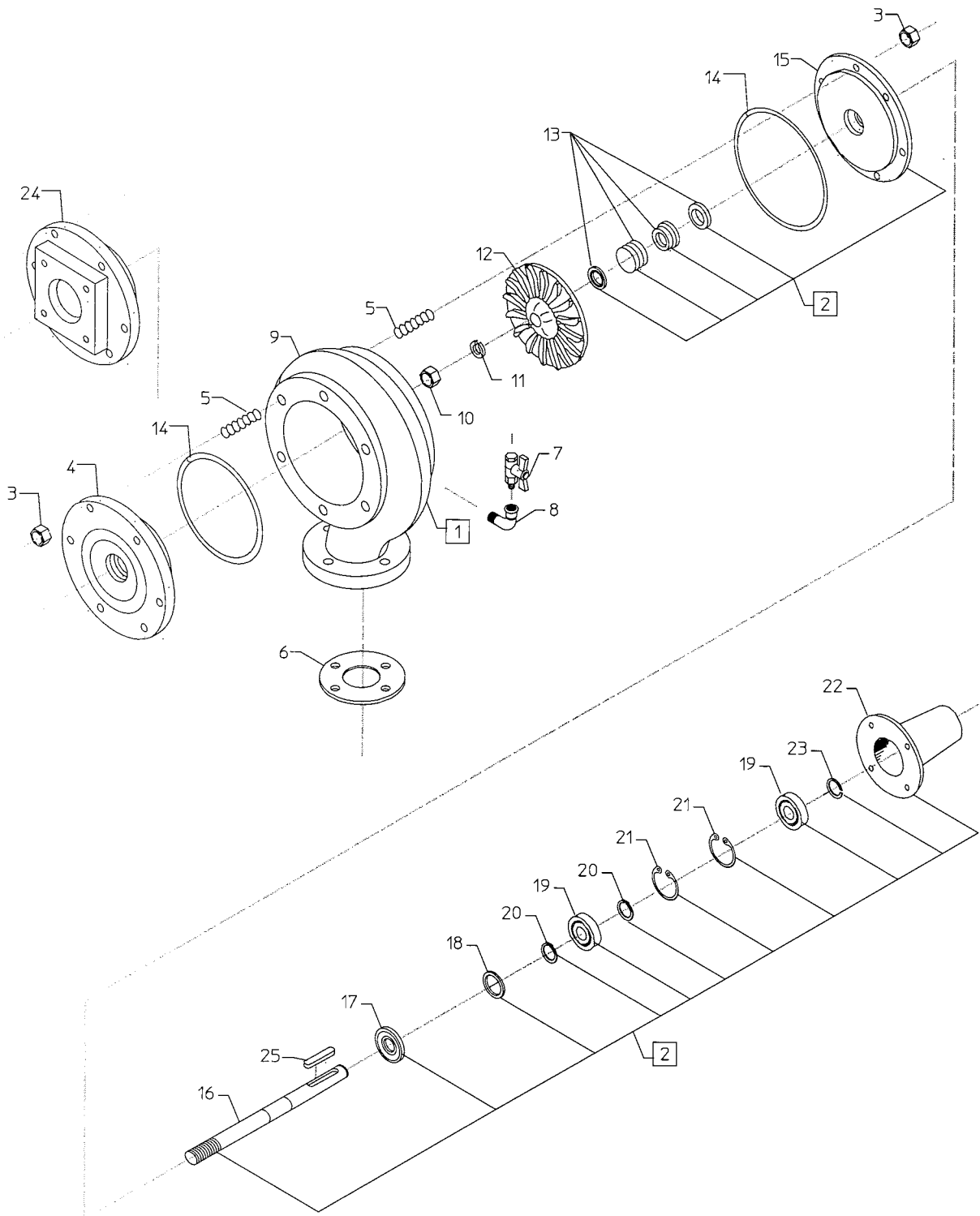
FM 4800H + 4900H fra maskin nr. 5986 / FM 4800H + 4900H from machine no. 5986
FM 4800H + 4900H à compter de la Machine Nr. 5986

Pos. nr. Pos. No Pos. No.	Best. Nr. Part No Ordre No.	Benævnelse	Description	Nomenclature	Bemærkninger Remark Remarque
STOP FOR LAVTRYK/ARRÊT VANNE DE DÉCHARGE					
1	1001163	Manometer	Manometer	Manomètre	1/4" 0 - 10 bar.
2	1009324	Flange m. slangestuds	Flange	Bride	3"
3	13000085	Strålesamler for bundrør			
4	761116	Bolt	Bolt	Boulon	M12 x 40 mm.
5	1007250	Ventil	Valve	Vanne papillon	3"
6	1007255	O-ring	O-ring	Joint-Torique	
7	-	Dæksel	Cap	Bouchon	
8	33000227	Udgangssrør turbine	Pipe	Tube turbine	
9	-	Bolt	Bolt	Boulon	M10 x 85 mm.
10	33000226	Bundrør turbine	Pipe	Tube turbine	
11	1005753	Filter	Filter	Filtre	Ø90 indiv. x 200 mm.
12	1009290	Rør m/han kobling	Pipe	Raccord "Bauer"	HK-108
13	14050013	Greb	Lever	Bride	HK-108
14	14050043	O-ring	O-ring	Joint Torique	HK-108
15	1007170	Motorhus	Enginehousing	Logement moteur	
16	763430	Bolt	Bolt	Boulon	M8 x 30 mm.
17	763680	Bolt	Bolt	Boulon	M8 x 16 mm. indiv. 6-kant
18	1007195	Tandhjul	Cogwheel-Big	Crémaillère	Udb. Ø15,8 mm.
19	1007180	Motor	Engine	Moteur	12v.
20	1007190	Tandhjul	Cogwheel-Small	Pignon	10 T.
21	1007185	Skærm	Shield	Carter	
22	763525	Bolt	Bolt	Boulon	M6 x 10 mm.
23	13000086	Turbinedæksel	Turbine bearing cap	Couvercle de turbine	Aluminium-
24	1007545	Pressostat	Pressostat	Pressostat	5 m.
25	763530	Nippel	Nipple	Réducteur	1/4" x 1/8"
26	1009312	Flange	Flange	Tube entrée régulation	L = 150 mm.
27	763535	Bolt	Bolt	Boulon	M6 x 16 mm.
28	763540	Unbracoskrue	Allen Screw	Vis Allen	M6 x 6 mm.
29	1007175	Lukkeprop	Plug	Couvercle	
30	1010070	Bøjning	Bend	Coude	
31	16200726	Spændebånd	Hose clip	Collier	Ø86 - 92 mm.
32	763519	Bolt	Bolt	Boulon	M8 x 20 mm.
33	763735	Bolt	Bolt	Boulon	M8 x 40 mm.
34	1007910	Slange	Hose	Souple	Ø90 x 900 mm
35	763040	Spændebånd	Hose clip	Collier	Ø77-95 mm.
36	1007230	Motorventil, Komplet	Valve	Vanne motorisée compl.	3"
37	522085	Flangepakning	Paper Gasket	Joint papier	
38	13000063	Flange	Flange	Bride	2"
39	761239	Bolt	Bolt	Boulon	M10 x 80 mm.
40	1007030	Spreder, lavtryk	Spreader, low pressure	Epandeur	
41	631112	Flangepakning	Paper Gasket	Joint papier	Ø180/85 x 2.0 mm
42	763863	Låsemøtrik	Nut	Ecrou	M8
43	763752	Møtrik	Nut	Ecrou	M8
44	763864	Låsemøtrik	Nut	Ecrou	M10
45	1007184	Klemring	Tightening Ring	Bague	U-7.0
46	-	Møtrik	Nut	Ecrou	M12
47	763764	Pinolskrue	Bolt	Boulon	M12 x 60 mm
48	1007655	Kanonrør	Pipe	Support canon	
49	-	Slange	Hose	Souple	Ø90 x 550 mm
50	1009120	Ophæng for turbine	Turbine Mounting	Support de Turbine	
51	761229	Bolt	Bolt	Boulon	M12 x 35 mm.
52	195010	Kuglehane	Valve	Vanne de purge	1/4"
53	631955	Flangepakning	Paper Gasket	Joint papier	2RG
54	763575	Bolt	Bolt	Boulon	M10 x 70 mm
55	1009328	Flange	Flange	Bride	HK108 Bæger
56	631109	Flangepakning	Paper Gasket	Joint papier	Ø185/95 X 2.0 MM



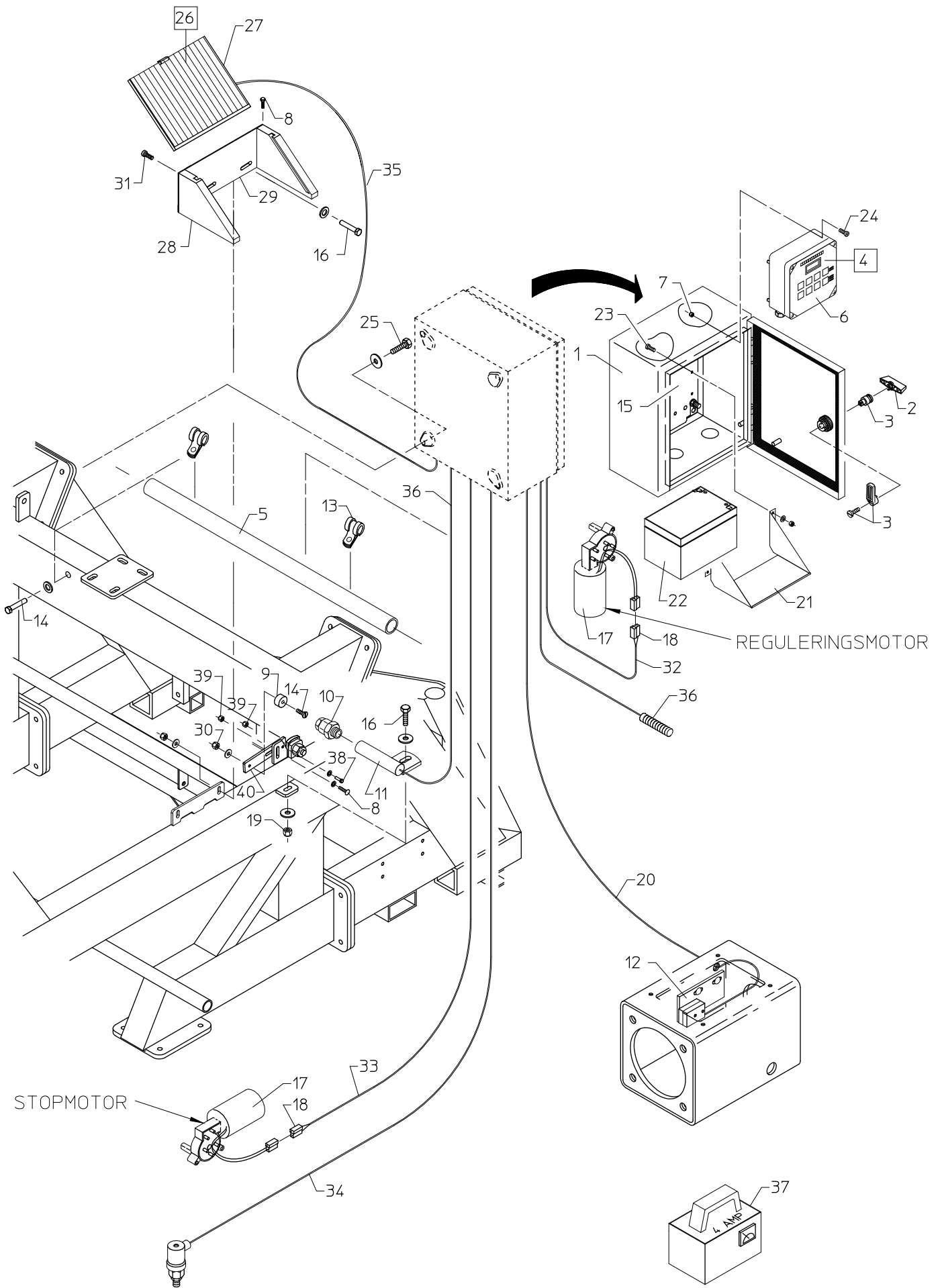
FM 4800H + 4900H fra maskin nr. 5986 / FM 4800H + 4900H from machine no. 5986
FM 4800H + 4900H à compter de la Machine Nr. 5986

Pos. nr. Pos. No Pos. No.	Best. nr. Part No Ordre No.	Benævnelse	Description	Nomenclature	Bemærkninger Remark Remarque
1	1009401-1	Bagtøj, Komplet	Differential axle	Pont différentiel	Sporvidde 2010 mm.
2	1009232	Låsering	Snap Ring	Circlip	Udv. 40 mm.
3	1009230	Mangenotaksel	Axle	Arbre cannelé	
4	1009231	Feder	Tongue	Clavette	12x8 x 50 mm.
5	1009200	Koblingshus		Carter crabotage	
6	761064	Skive	Washer	Rondelle	Ø 20 mm.
7	1009203	Bøsning	Bushing	Coussinet	Ø 20/25 mm.
8	1005535	Kabelforskruning	Cabelscrew	Presse-étoupe	PG.9
9	761010	Split	Split	Goupille	Ø5 x 40 mm.
10	1009235	Aksel	Axle	Axe	Ø20 mm.
11	1009236	Feder	Tongue	Clavette	6 x 6 x 25 mm.
12	1009245	Koblingsarm	Fittings	Biellette	
13	763760	Unbracoskrue	Allen Screw	Vis Allen	M6 x 10 mm.
14	1009240	Skiftegaffel	Forks	Fourchette	
15	763765	Bolt m/indv. 6-kant	Bolt	Boulon	M10 x 20 mm. st. 12.9
16	763570	Bolt m/indv. 6-kant	Bolt	Boulon	M12 x 25 mm. st. 12.9
17	1009255	Beslag for føler	Fittings	Support capteur	
18	763820	Brædebolt	Bolt	Boulon	M 6 x 20 mm.
19	1007443	Oliemotor	Oilmotor	Moteur Hydraulique	
20	1009500	Gear kpl.	Gear, Complete	Réducteur	
21	1007561	Føler dobbelt	Feeler	Capteur magnétique	3,6 meter.
22	1009205	Dæksel	Cap	Couvercle	
23	763520	Bolt	Bolt	Boulon	M8 x 16 mm.
24	1009221	Låsering	Snap Ring	Circlip	Udv. 48 mm.
25	1009222	Støtteskive	Collar	Rondelle	Ø48/60 x 0,5 mm.
26	1009225	Skiftemuffe	Ring	Bague fourchette	
27	1009227	Trykfjeder	Spring	Ressort	
28	1009220	Koblingsnav	Hub	Disque de crabotage	
29	763770	Bolt m/indv. 6-kant	Bolt	Boulon	M10 x 22 mm. st. 12.9
30	1009216	Leje	Bearing	Roulement	
31	1009215	Nav for magneter	Hub	Disque	
32	1007571	Magnet	Magnet	Aimant	PG 7
33	1009210	Flange	Flange	Fixation	2 stk. (et sæt)
34	763775	Bolt	Bolt	Boulon	M16 x 30 mm.
35	1001011	Trækfjeder	Spring	Ressort	Ø4.0 x330 mm.
36	763770	Bolt m/indv. 6-kant	Bolt	Boulon	M10 x 22 mm. st. 12.9
37	763780	Bolt	Bolt	Boulon	M8 x 45 mm.
38	109101	Afstandsør	Pipe	Entretoise	3/8" x 18 mm.
39	1009265	Arm for kobling	Fittings	Barre de liaison	L=540 mm.
40	1009250	Koblingshåndtag	Lever	Levier	
41	571201	Håndtag	Lever	Manchette	
42	1009252	Trykfjeder	Spring	Ressort	
43	763715	Bolt	Bolt	Boulon	M10 x 65 mm.
44	761097	Bolt	Bolt	Boulon	M10 x 30 mm.
45	1007440-1	Pakningssæt	Gasket set	Jeu de joints	
46	-	Skive	Washer	Rondelle	Ø10 mm. Riplock
47	1009482	Oliepind	Cap	Bouchon	
48	1009484	O-Ring	Cap	Joint torique	Ø9,25 mm.
49	1009480	Nippel for oliepind	Nipple	Réducteur	M22 x 1,5 mm.
50	801709	Skive	Washer	Rondelle	
51	1007728	Prop	Plug	Bouchon	1/2 BSP, Indv. 6-kant
52	1009285	Rørpotte	Tube	Tube	
53	1010583	Slange	Tube	Chambre à air	16.9/14-30 FM4900H
53	1008715	Slange	Tube	Chambre à air	12.4/11-36 FM4800H
54	1009456	Navmøtrik	Wheel Nut	Ecrou de roues	M18 x 1,5 mm
54	1009462	Konisk skive	Washer	Rondelles coniques	Ø18 mm
55	1010582	Fælg	Rim	Jante	15.0 x 30" 8-221-275 mm FM4900H
55	1008765	Fælg	Rim	Jante	11 x 36" 8-221-275 mm FM4800H
56	1009455	Navbolt	Hub Bolt	Boulon de moyeu	M18 x 1,5 mm
57	763750	Låsemøtrik	Nut	Ecrou	M16
58	1009100-86	Spændplade	Sheet	Patte de fixation	
59	1761245	Bolt	Bolt	Boulon	M16 x 200 mm
60	1010580	Baghjul, kpl.	Wheel, complete	Roue, complète	16.9 x 30" x 8 lag.FM4900H
61	1010581	Dæk	Tyre	Pneu	16.9 x 30" x 8 lag.FM4900H
61	1008710	Dæk	Tyre	Pneu	12.4 x 36" x 10 lag.FM4800H
62	1009207	Dæksel	Cap	Couvercle	



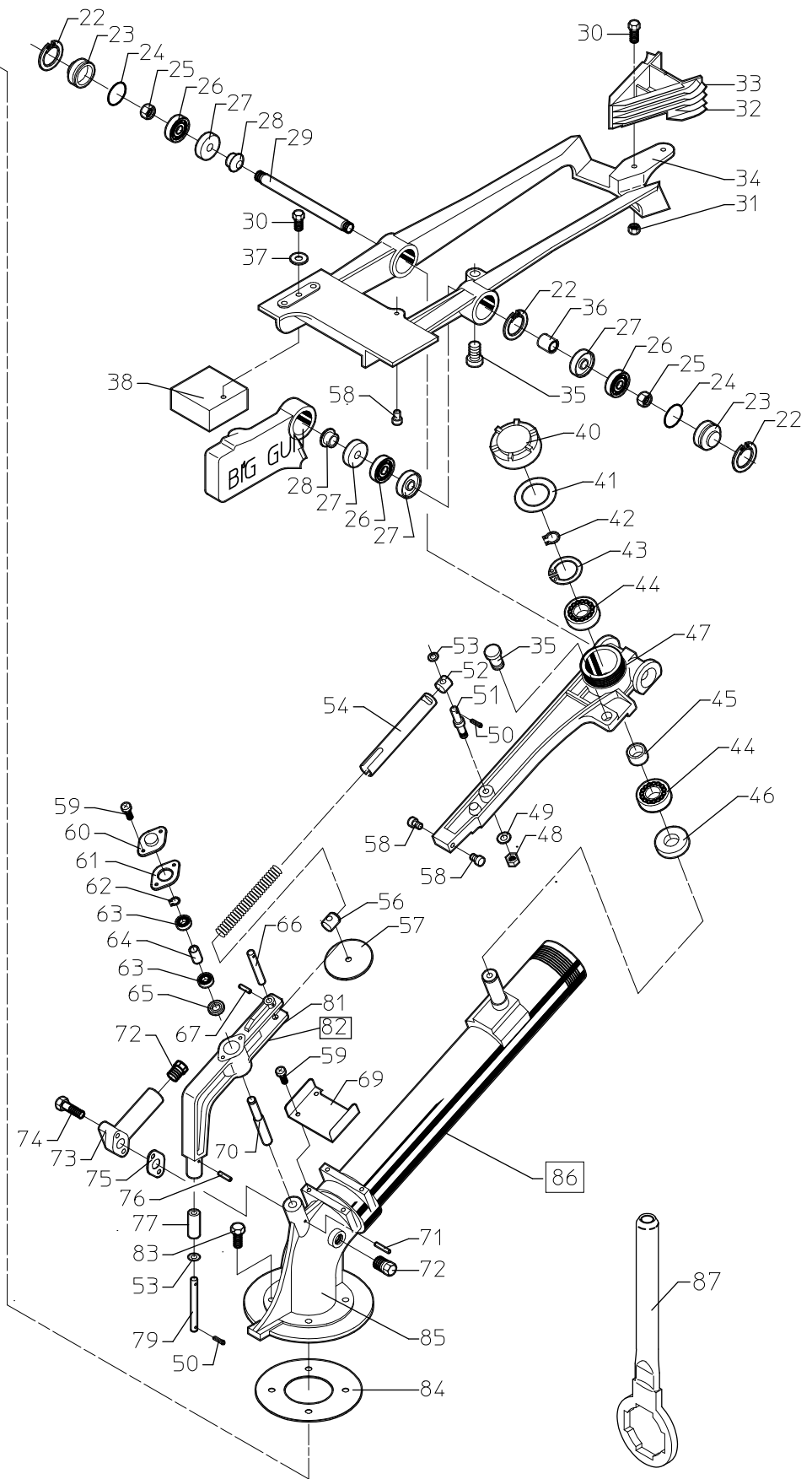
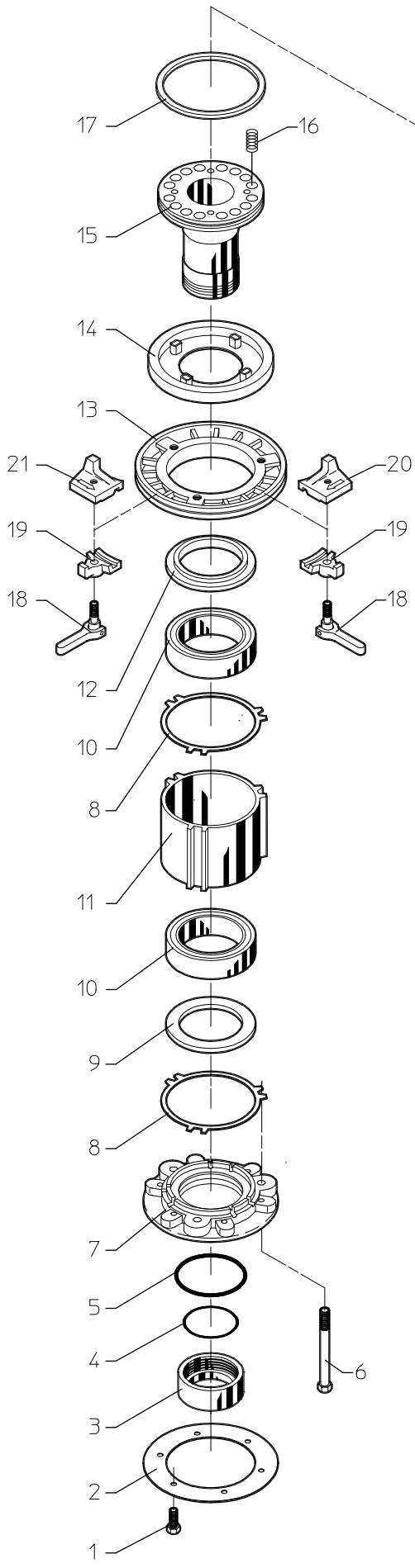
**FM 4800H + 4900H fra maskin nr. 5986 / FM 4800H + 4900H from machine no. 5986
FM 4800H + 4900H à compter de la Machine Nr. 5986**

Pos. nr. Pos. No Pos. No.	Best. Nr. Part No Ordre No.	Benævnelse	Description	Nomenclature	Bemærkninger Remark Remarque
1	195000V	Turbine, komplet	Turbine, Complete	Turbine complète	20/50 V
2	195500	Omb. turbinedæksel	Rechangeble turbine bearing cap	Kit Turbine	
3	763545	Låsemøtrik	Nut	Ecrou	M6
4	195023	Afgangsdæksel	Cap	Flasque turbine	
5	096506029	Støttebolt	Bolt	Boulon	M6 x 29 mm.
6	522085	Pakning	Gasket	Joint	
7	195010	Kuglehane	Valve	Vanne de purge	1/4"
8	195009	Vinkel	Ancle	Raccord coude	1/4" ind/ud gevind
9	195001	Turbinehus	Turbine House	Corps de turbine	20/50
10	096012	Møtrik	Nut	Ecrou	M12 Rustfri
11	096112	Fjederskive	Spring Coller	Rondelle grower	ø12 Rustfri
12	195031	Skovlhjul	Turbine Whecl.	Aube turbine	Venstre
13	P195201	Akseltætning	Shaftschild	Kit étanchéité	Ø14 mm.
14	195211	O-ring	O-ring	Joint Torique	Ø129,9 x 3,53 mm.
15	195018	Pakdåsedæksel	Turbinecap	Flasque turbine	
16	195036	Aksel	Axle	Axe	
17	195050	Tætningsring	Packning Ring	Rondelle	ø15/35 x 6,0 mm.
18	195055	Skive	Washer	Joint	Ø34/28,0 x 1,5 mm
19	195220	Leje	Bearing	Roulement	3202-2RS
20	195060	Låsering	Snap Ring	Circlip	Udv. Ø15 mm.
21	195065	Låsering	Snap Ring	Circlip	Indv. Ø35 mm.
22	195013	Lejehus	Bearing Housing	Support roulement	
23	517715	Klemring	Snap Ring	Circlip	Udv. ø15 mm.
24	13000086	Turbinedæksel	Turbine bearing cap	Couvercle de turbine	Aluminium
25	195255	Feder	Parallel key	Clavette parallèle	4 x 4 x 28 mm



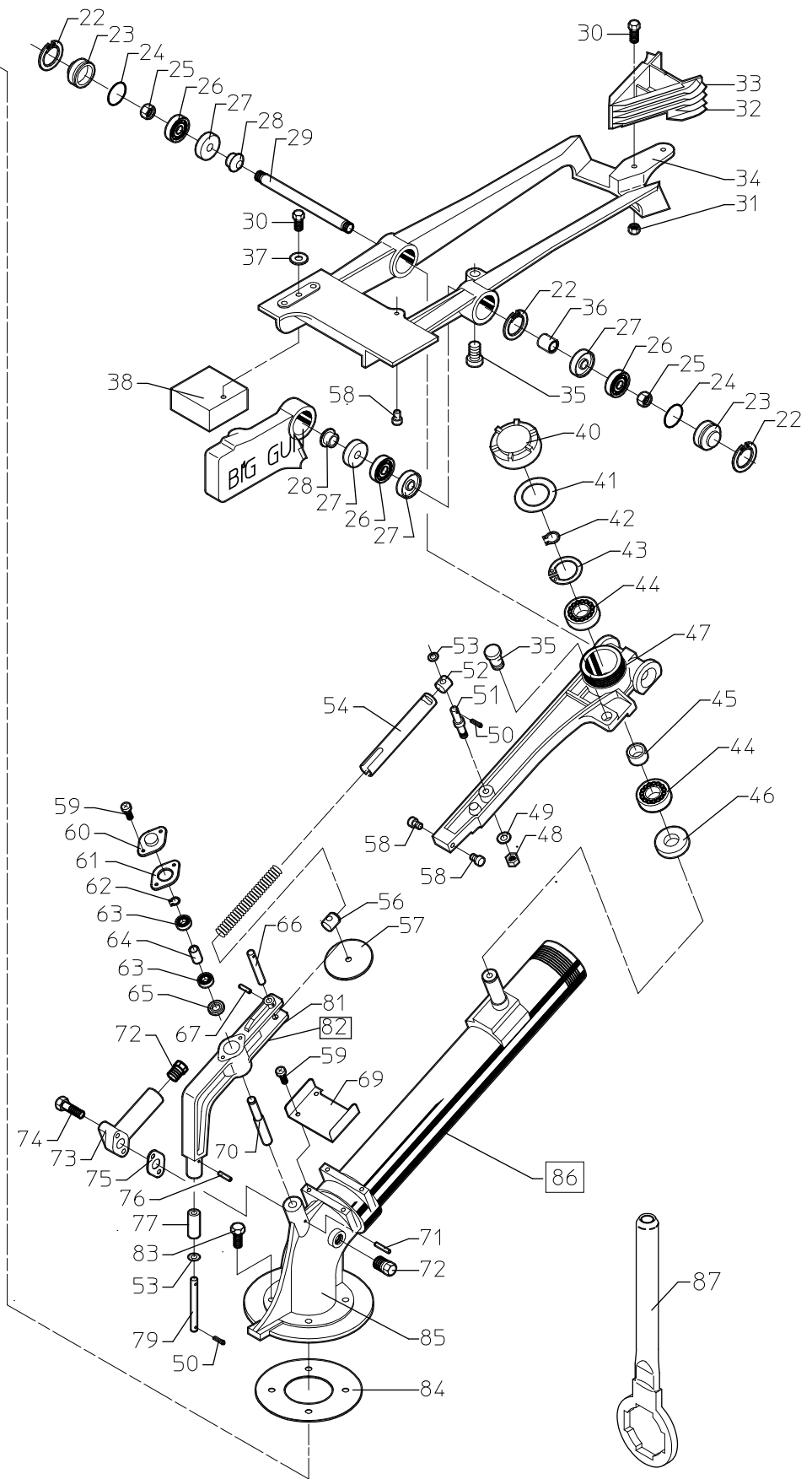
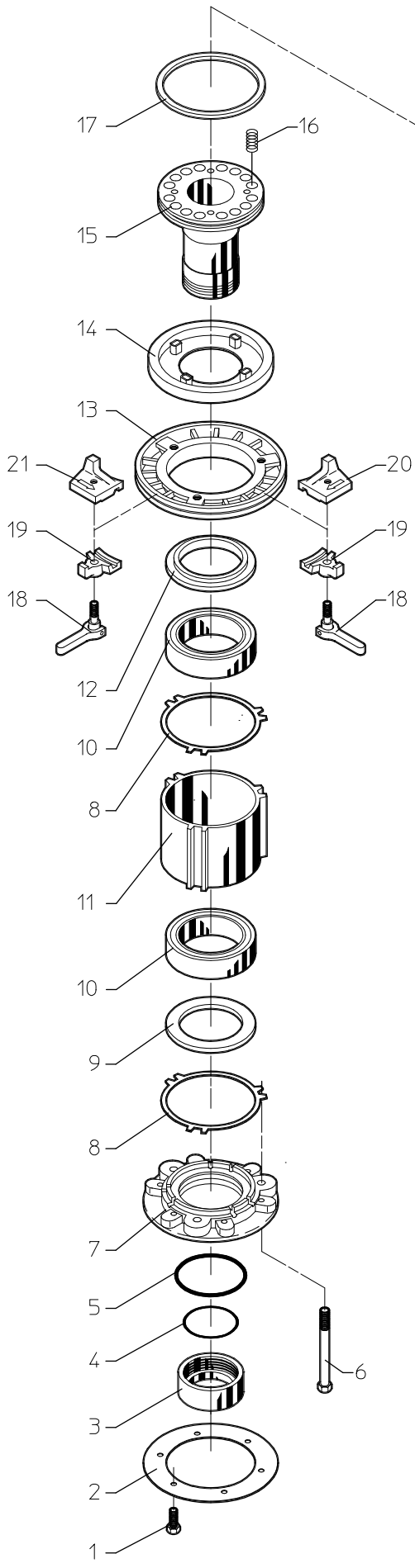
**FM 4800H + 4900H fra maskin nr. 5986 / FM 4800H + 4900H from machine no. 5986 /
FM 4800H + 4900H ab Maschinen-Nr. 5986 / FM 4800H + 4900H à compter de la Machine Nr. 5986**

Pos. nr. Pos. No Pos. No.	Best.. Nr. Part No Ordre No.	Benævnelse	Description	Nomenclature	Bemærkninger Remark Remarque
1	1007578	Kasse	Box	Armoire	400 x 300 mm.
2	1007582-1	Nøgle	Key	Clé	
3	1007585-1	Lås	Lock	Serrure	For 400 x 300 kasse
4	1007549-5	Programregn	Program Rain	Program Rain	Type 10 vers.6.5
5	1009660	Ledningsrør	Wire pipe	Tube de câble	Ø32 x 900 mm
6	1007554	Sikring	Fuse	Fusible	
7	1007558	O-ring	O-Ring	Joint Torique	ø3,5 x 2,0 mm.
8	763820	Bræddebolt	Bolt	Boulon	M6 x 20 mm
9	1005530	Magnet	Magnet	Aimant	Ø20 x 10 mm.
10	1005535	Kabelforskrining	Cabelscrew	Presse étoupe	PG. 9
11	1008265	Beslag	Fittings	Capteur	
12	1009255	Beslag for føler	Fittings	Support	
13	1013827	Slangeholder	Hoseholder	Fixation flexible	33.3 mm
14	-	Skruer	Screw	Vis	M4 x 20 mm
15	1007588	Montageplade	Fittings	Platine de montage	
16	763655	Bolt	Bolt	Boulon	M8 x 25 mm.
17	1007180	Motor	Engine	Moteur Electrique	12 v.
18	1007183	Stik	Plug	Connecteur	
19	763863	Låsemøtrik	Nut	Ecrou	M8
20	1007561	Føler dobbelt	Feeler	Capteur	3,6 meter
21	1007590	Beslag	Fittings	Support batterie	
22	1005521	Batteri	Batterie	Batterie	12 volt 12 amp.
23	763795	Bolt	Bolt	Boulon	M4 x 10 mm.
24	763510	Bolt	Bolt	Boulon	M4 X 20 mm.
25	763430	Bolt	Bolt	Boulon	M8 x 30 mm.
26	762080	Solpanel sæt	Solar panel set	Kit Panneau solaire	
27	1005523	Solpanel	Solar panel	Panneau solaire	
28	1005523-3	Plader for solpanel	Fittings	Rails panneau solaire	
29	1005523-4	Holder for solpanel	Fittings	Support panneau solaire	
29	1005523-11	Holder for solpanel	Fittings	Support panneau solaire	1/1-2006
30	-	Låsemøtrik	Nut	Ecrou	M4
31	763785	Bolt m/undersænket hoved	Bolt	Boulon	M6 x 20 mm.
32	1007567	Ledning Grå	Cabel	Câble	Regulering 3,6 M.
33	1007565	Ledning Hvid	Cabel	Câble	Overtryk/Understop 5,5 M.
34	1007545	Pressostat	Pressostat	Pressostat	5,0 meter.
35	1005523-5	Ledning sort	Cabel	Câble	Med stik
36	1007560	Føler	Feeler	Capteur	3,6 meter
37	1005522	Ladeapparat	Battery Charger	Chargeur de batterie	4 Amp 12V Batteri
38	761090	Bolt	Bolt	Boulon	M6 X 20 mm.
39	761091	Låsemøtrik	Nut	Ecrou	M6
40	1009347	Beslag, magnet	Fitting, Magnet	Patte de fixation, Aiment	Ø20/10 mm Magnet



**FM 4800H + 4900H fra maskin nr. 5986 / FM 4800H + 4900H from machine no. 5986 /
FM 4800H + 4900H ab Maschinen-Nr. 5986 / FM 4800H + 4900H à compter de la Machine Nr. 5986**

Pos. nr. Pos. No Pos. No.	Best.. Nr. Part No Ordre No.	Benævnelse	Description	Nomenclature	Bemærkninger Remark Remarque
1	776000	Bolt	Bolt	Boulon	M8 x 25 mm.
2	761614	Pakning	Gasket	Joint	
3	778402	Låsemøtrik	Nut	Ecrou	
4	776548	O-ring	O-ring Seal	Joint Torique	
5	778475	O-ring	O-ring Seal	Joint Torique	
6	778462	Bolt	Bolt	Boulon	3/8" x 115 UNC
7	778401	Bundstykke	Flange	Flasque	
8	778461	Pakning	Gasket	Joint	
9	778373	Tætningsring	Nut Ring	Ecrou	
10	776253	Kugleleje	Bearing	Roulement	
11	778405	Lejehus	Bearing Housnig	Logement Roulement	
12	778372	Tætningsring	Nut Ring	Ecrou	
13	778400	Bremeskive	Disk Brake	Disque frein	
14	778371	Bremsebelægning	Brake Lining	Frein	
15	778459	Lejerør	Bearing pipe	Tube	
16	778474	Fjeder	Spring	Ressort	
17	778473	Tætningsring	Nut Ring	Rondelle élastique	
18	776849	Tee-bolt	Bolt	Molette	
19	776371	Beslag	Fittings	Attache	
20	778432	Stopklods	Stop Counterclockwise	Butée (Anti-Horaire)	
21	778431	Stopklods	Stop Clockwise	Butée (Horaire)	
22	776565	Låsering	Snap Ring	Circlip	Indv. Ø32 mm.
23	776602	Endedæksel	Cap	Bouchon	
24	776563	O-ring	O-ring Seal	Joint-Torique	Ø2,0 x 28,0 mm.
25	776603	Møtrik	Nut	Ecrou	7/16" UNF
26	776598	Kugleleje	Bearing	Roulement	
27	776600	Tætningsring	Nut Ring	Ecrou	Ø15 x 32 x 7,0 mm.
28	776607	Afstandsrør	Pipe	Coussinets	
29	778465	Aksel	Axle	Axe	
30	776818	Bolt	Bolt	Boulon	1/4" x 20 UNC
31	776060	Møtrik	Nut	Ecrou	1/4" UNC
32	778354	Drivkniv	Vane/Spoon Bracket	Brise jet	
33	779229	Tospeed drivkniv	Vane/Spoon Bracket	Brise jet	
34	778364	Drivarm	Drive Arm	Support	
35	778139	Gummistop dæmper	Bumber	Pion	
37	776070	Fladskive	Tension Disk	Rondelle	1/4"
38	778433	Vægtklods	Counter Weight	Contre-Poids	
39	778125	Kontravægt	Counter Weight	Contre-Poids	
40	778233	Dæksel	Cap	Bouchon	
41	778272	Pakning	Gasket	Joint	
42	778323-017	Låsering	Snap Ring	Circlip	
43	776045	Låsering	Snap Ring	Circlip	Indv. Ø40 mm.
44	776054	Kugleleje	Bearing	Roulement	
45	778326	Afstandsrør	Pipe	Entretoise	
46	776048	Tætningsring	Nut Ring	Rondelle	Ø21 x 40 x 7 mm.
47	778394	Omskifter arm	Return Lever	Levier de retour	
48	776064	Møtrik	Nut	Ecrou	5/16" UNC
49	777029	Fladskive	Tension Disk	Rondelle	5/16"
50	776714	Split	Split Pin	Goupille	Ø2,0 x 15 mm.
51	778197	Bolt	Bolt	Boulon	

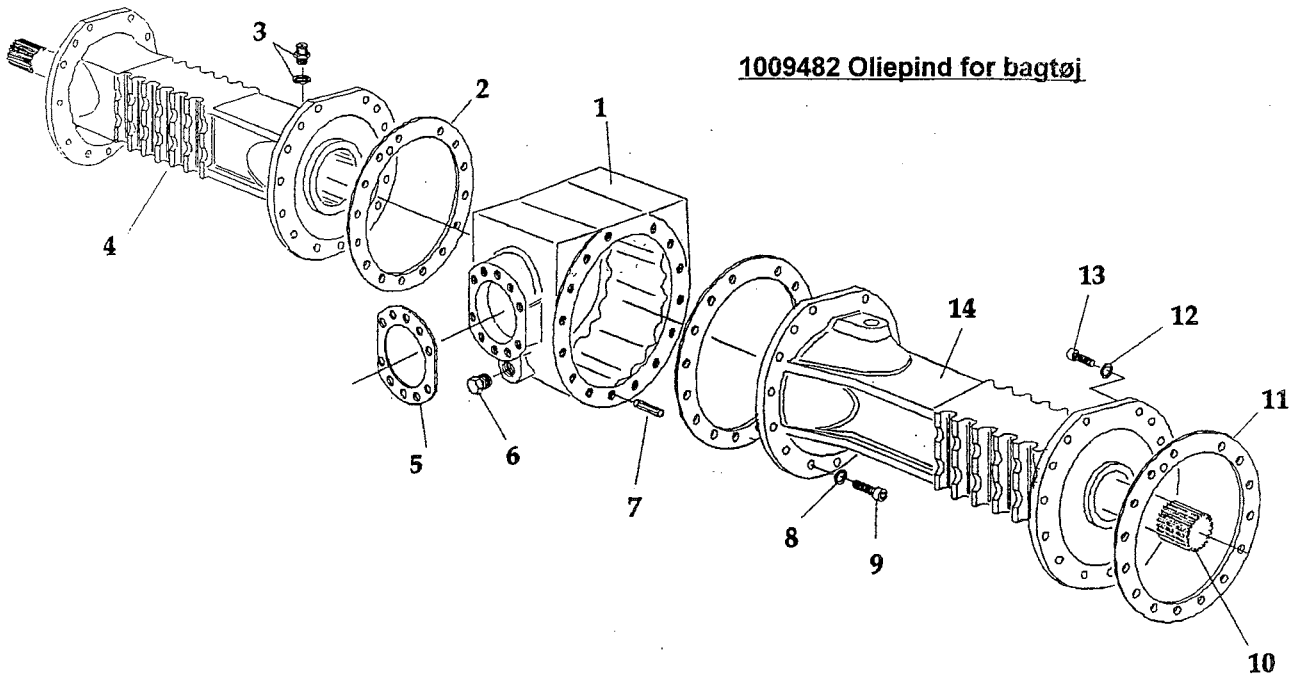


**FM 4800H + 4900H fra maskin nr. 5986 / FM 4800H + 4900H from machine no. 5986 /
FM 4800H + 4900H ab Maschinen-Nr. 5986 / FM 4800H + 4900H à compter de la Machine Nr. 5986**

Pos. nr. Pos. No Pos. No.	Best.. Nr. Part No Ordre No.	Benævnelse	Description	Nomenclature	Bemærkninger Remark Remarque
52	778282	Aksel	Axle	Axe	
53	778409	Fladskive, kobberskive	Tension Disk	Rondelle	Ø6,0 mm.
54	778446	Rør	Pipe	Biellette	
55	778470	Fjeder	Spring	Ressort	
56	778417	Aksel	Axle	Axe	
57	778336	Skive	Tension Disk	Rondelle	
58	776580	Anslagsstift	Restpadinsert	Butoir	
59	778311	Bolt	Bolt	Vis	
60	778263	Dæksel	Cap	Bouchon	
61	778265	Pakning	Gasket	Joint	
62	778323-004	Låsering	Snap Ring	Circlip	
63	778321	Leje	Bearing	Roulement	
64	778281	Afstandsør	Pipe	Entretoise	
65	778317	Pakning	Gasket	Joint	Ø9,0 x 22 x 5,0 mm.
66	778193	Stift	Split Pin	Goupille	
67	778320	Split	Split Pin	Goupille	
69	778448	Plade	Sheet	Patte	
70	778274	Aksel	Axle	Axe	
71	776931	Låsestift	Split Pin	Goupille	Ø3,2 x 20 mm.
72	776089	Prop	Plug	Bouchon	
73	778497	Dyserør	Elbowsecon	Sortie buse	
74	776059	Bolt	Bolt	Boulon	1/4" x 32 mm. UNC
75	778511	Pakning	Gasket	Joint	
76	778322	Split	Split Pin	Goupille	
77	778277	Rulle	Roller	Roulette	
79	778276	Aksel	Axle	Axe	
81	778410	Arm	Revwrse Rod	Bras de retour	
82	778451	Kpl. Omskifter	Trip Lever Assy.	Système retour complet	
83	778408	Bolt	Bolt	Boulon	5/16" x 25 UNC
84	778460	Pakning	Gasket	Joint	
85	778587	Strålerør	Elbow/Range Tube	Embase canon	
86	770145	Kanon, kpl.	Sprinkler, complete	Sprinkler,compléte	Nelson SR-150 m. 1 stk. dyse
87	761295	Dysenøgle	Nozzle Wrench	Clé pour buses	SR 150

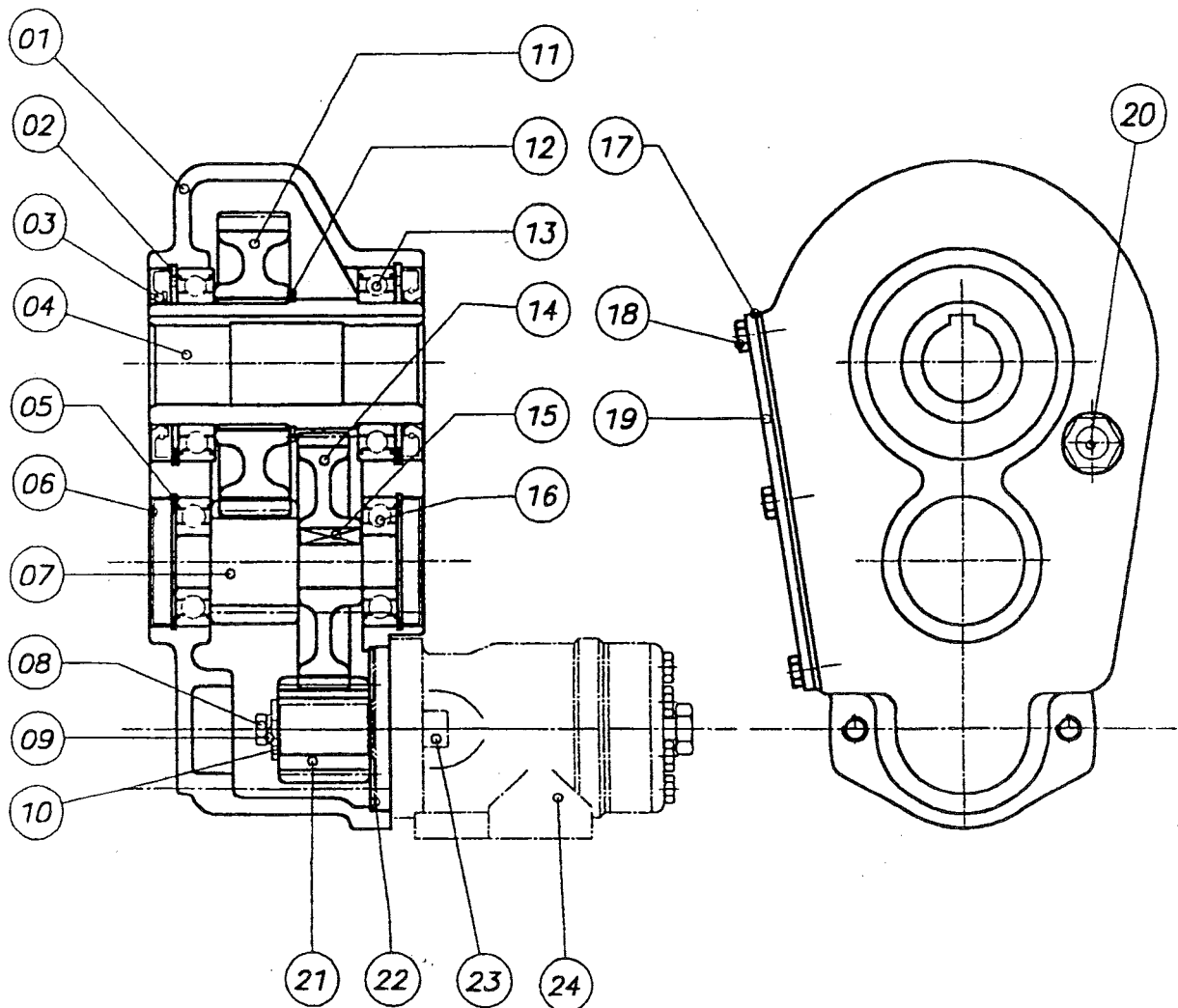
Dyser - Nozzles – Buse - Düsen (Nelson SR 150)

770148	0.60
770150	0.70
770152	0.75
770155	0.80
770157	0.85
770160	0.90
770162	0.95
770165	1.00
770170	1.10
770175	1.20
770180	1.30



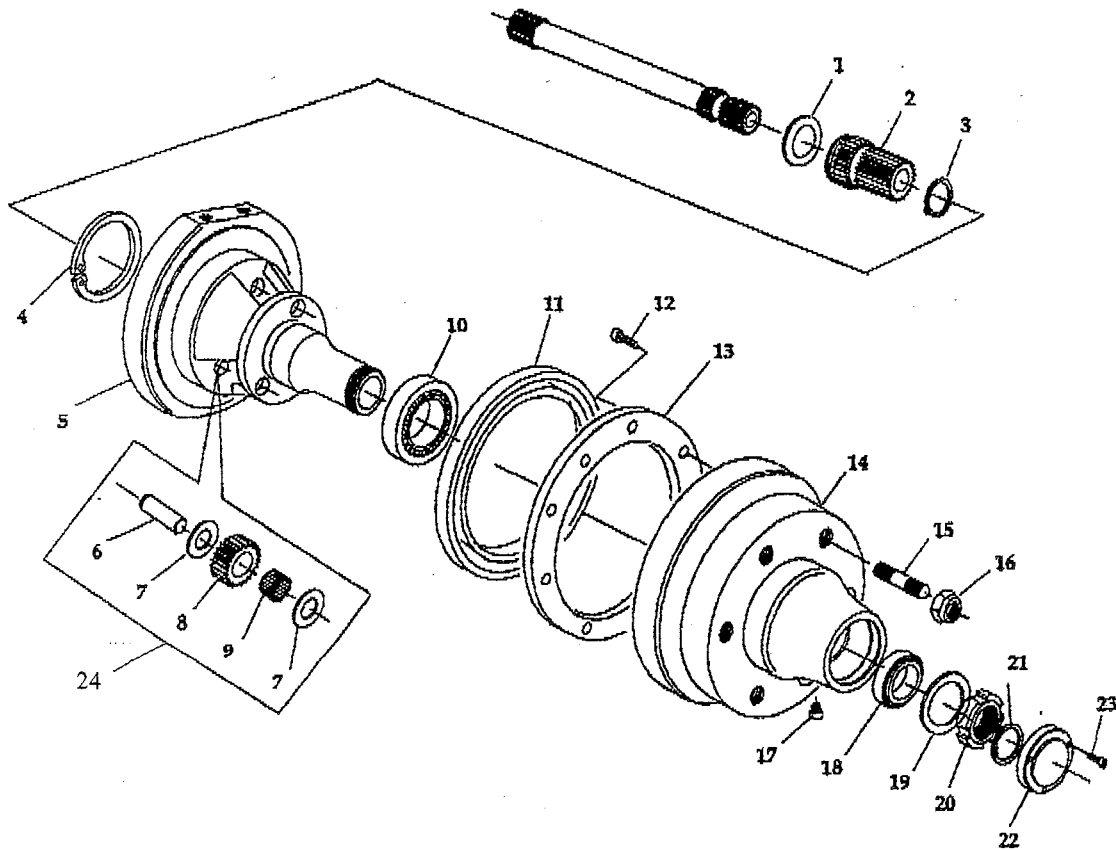
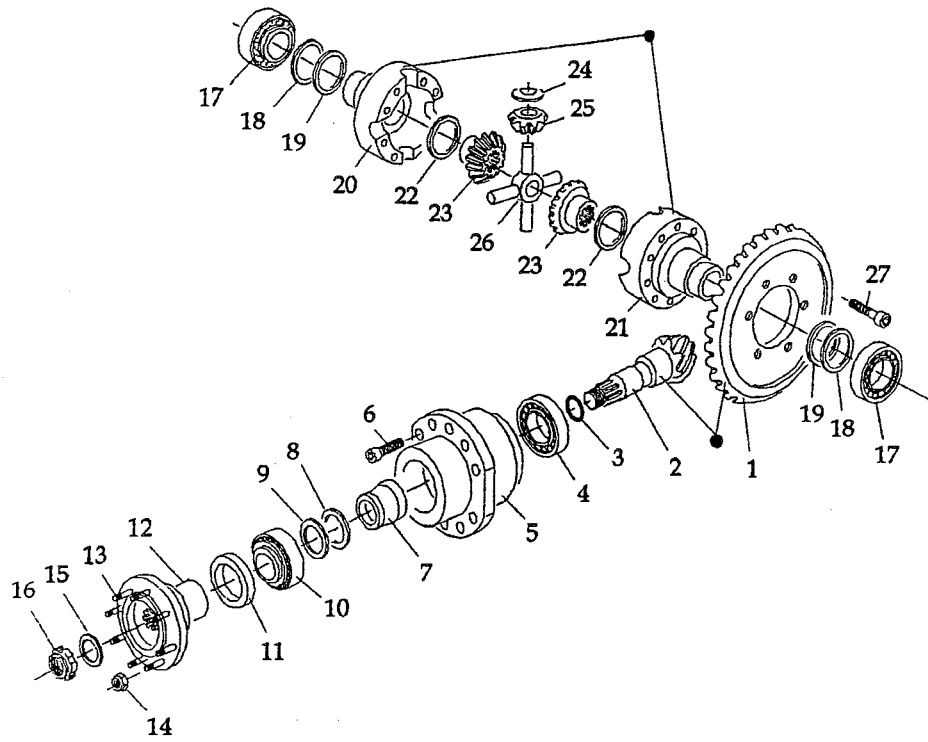
1009482 Oliepind for bagtøj

FLADGEAR



**FM 4800H + 4900H fra maskin nr. 5986 / FM 4800H + 4900H from machine no. 5986
FM 4800H + 4900H à compter de la Machine Nr. 5986**

Pos. nr. Pos. No Pos. Nr.	Best.. Nr. Part No Ordre no.	Benævnelse	Description	Bezeichnung	Bemærkninger Remark Remarque
1	1009402-4	Bagtøjshus	Main casing	Carter principal	
1	1009480	Nippel for oliepinde	Nipple	Re'ducteur	M22 x 1,5 mm.
1	1009482	Oliepinde	Gaugr	Niveau	
1	1009484	O-ring for oliepinde	O-Ring	Joint torique	Ø9,25 x 1,78 mm.
2	1009408	Flangepakning	Paper gasket	Joint de trompette	
3	1009407	Udluftning	Oil cap	Bouchon remplissage	M22 x 1,5 mm.
4	1009404	Venstre bagakselhus	Left main casing	Trompette gauche	
5	1009409	Flangepakning	Paper gasket	Joint cartonné	
6	1009410	Bundprop	Oil bleender cap	Bouchon de vidange	M22 x 1,5 mm.
7	1009411	Styresplit	Pin	Pion de centrage	Ø10 x 30 mm.
8	1009406	Skive	Washer	Rondelle	Ø12 mm.
9	1009405	Bolt m/indv. 6-kant	Screw	Vis	M12 x 35 st.12.9
10	1009468	Bagaksel	Axle shaft	Arbre de sortie	Sporv. 2010
11	1009469	Flangepakning	Paper gasket	Joint cartonné	
12	1009406	Skive	Washer	Rondelle	Ø12 mm.
13	1009472	Bolt m/indv. 6-kant	Screw	Vis	Sporv. 2010 M12 x 45 st.12.9
14	1009403	Højre bagakselhus	Right main casing	Trompette droite	
15	1009470	Mellemflange	Flange	Entretoise	Sporv. 2010
<u>FLADGEAR / ENGRENAGE PLAT</u>					
1	1009501	Gearhus	Gear	Réducteur	
1	1009500	Gear kpl.	Gear, Complete	Moto-réducteur complet	
2	1009504	Låsering	Seeger	Circlip	I - 95
3	1009505	Tætningsring	Oil Seal	Joint à lèvres	Ø60/95 x 10 mm.
4	1009506	Hulaksel	Axel	Sortie réducteur	Ø 40 mm.
5	1009507	Låsering	Seeger	Circlip	I - 62
6	1009508	Dæksel	Cap	Bouchon	Ø62
7	1009509	Aksel/tandhjul	Axle	Arbre primaire/Pignon	
8	1009510	Bolt m/indv. 6-kant	Screw	Vis	M8 x 20 st.8.8
9	1009511	Skive	Washer	Rondelle	Ø8,0 mm.
10	1009512	Fjederskive	Spring Coller	Rondelle	
11	1009513	Tandhjul	Gear whell	Pignon secondaire	
12	1009514	Låsering	Seeger	Circlip	E - 65
13	1009515	Leje	Bearing	Roulement	
14	1009516	Tandhjul	Gear whell	Gd. pignon primaire	
15	1009517	Feder	Key	Clavette	8x7 x 30
16	1009518	Leje	Bearing	Roulement	6305
17	1009519	Flangepakning	Paper gasket	Joint	
18	1009520	Bolt	Screw	Ecrou	M8 x 16 mm.
19	1009521	Dæksel	Cap	Couvercle	
20	1009522	Niveauglas	Gauge	Niveau	1/2"
21	1009523	Tandhjul	Gear whell	Pignon moteur Hydraulique	
22	1009524	Pakning	Paper gasket	Joint cartonné	
23	1009529	Bolt m/indv. 6-kant	Screw	Vis	M12 x 35 st .8.8
24	1007440	Oliemotor	Oil-engine	Moteur	

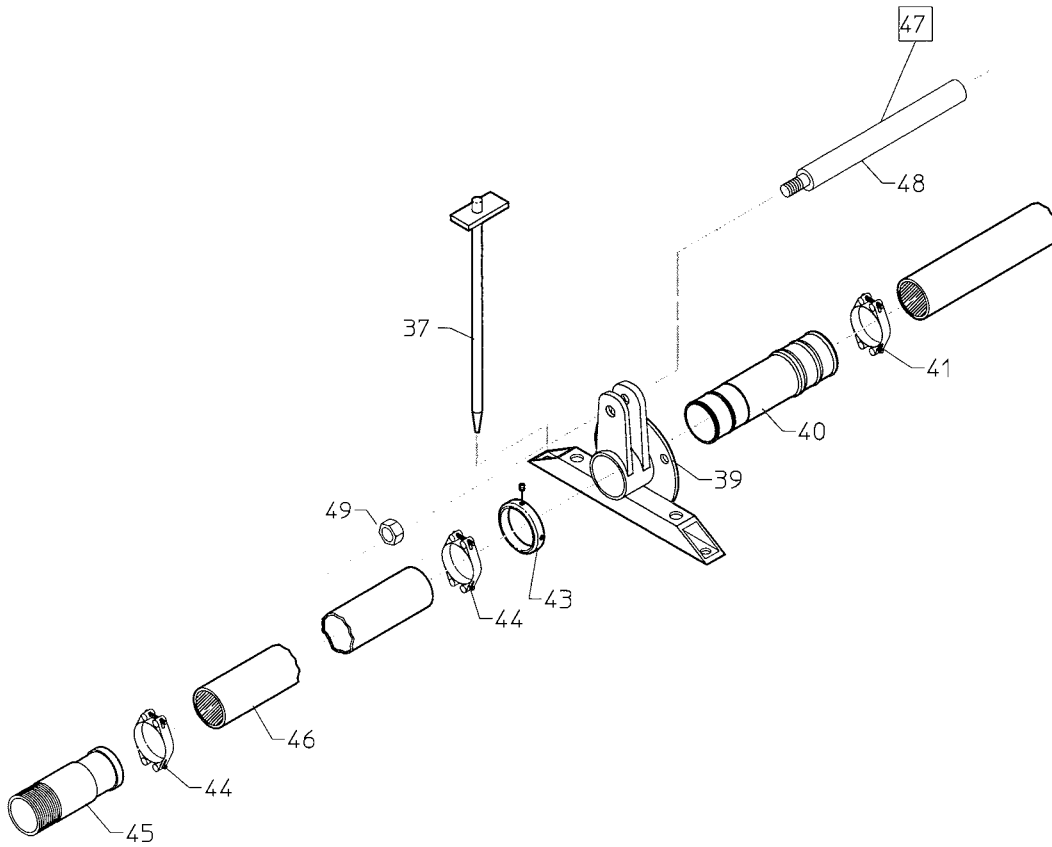
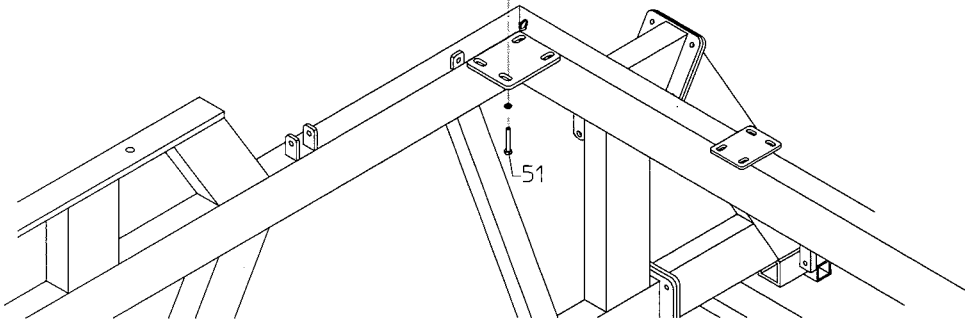
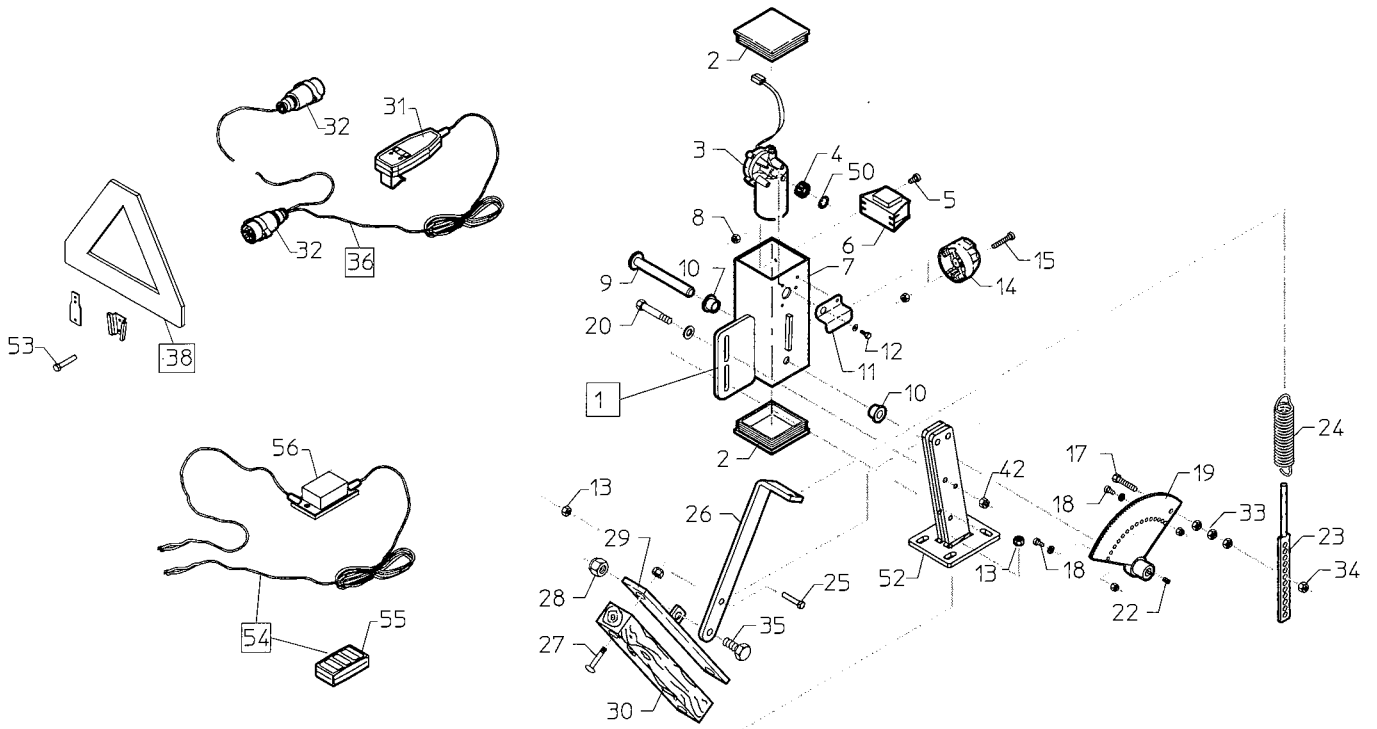


**FM 4800H + 4900H fra maskin nr. 5986 / FM 4800H + 4900H from machine no. 5986
FM 4800H + 4900H à compter de la Machine Nr. 5986**

Pos. nr. Pos. No Pos. Nr.	Best. Nr. Part No Ordre no.	Benævnelse	Description	Nomenclature	Bemærkninger Remark Remarque
1	1009412-4	Tandhjul	Drive gear	Pignon Secondaire	Z = 39
2	1009413-4	Aksel m/spidshjul	Pinion gear	Pignon Primaire	Z = 12
3	1009414	O-Ring	O-Ring	Joint Torique	
4	1009415	Leje	Bearing	Roulement	30308
5	1009416	Lejehus	Pinion box	Logement Roulement	
6	1009417	Bolt m/indv. 6-kant	Screw	Vis	M12 x 40 st.12.9
7	1009418	Afstandsring	Spacer	Entretoise	
8	1009419	Passkive	Shim	Rondelle	PS 35/45x0,1 mm.
9	1009420	Passkive	Shim	Rondelle	PS 35/45x0,3 mm.
10	1009421	Leje	Bearing	Roulement	32207
11	1009422	Tætningsring	Seal ring	Joint roulement	Ø50/72 x 8,0 mm.
12	1009424	Flange	Shaft	Flasque	
13	1009425	Bolt m/indv. 6-kant	Screw	Vis	M10 x 35 st.8.8
14	1009423	Låsemøtrik	Locknut	Ecrou	M10
15	1009426	Skive	Thrust washer	Rondelle	
16	1009427	Låsemøtrik	Ring nut	Ecrou	M30 x 1,5 mm.
17	1009428	Leje	Bearing	Roulement	32012
18	1009429	Passkive	Shim	Rondelle	Ø61/70x0,1 mm.
19	1009430	Passkive	Shim	Rondelle	Ø61/70x0,3 mm.
20	1009431	Venstre dif. hus	Left differential box	Carter différentiel gauche	
21	1009432	Højre dif. hus	Right differential box	Carter différentiel droit	
22	1009433	Støtteskive	Planetary Shim	Rondelle	
23	1009434	Tandhjul	Planetary	Planétaire	
24	1009435	Støtteskive	Side pinion Shim	Rondelle	
25	1009436	Tandhjul	Side pinion	Pignon	
26	1009437	Kryds for dif.	Differential cross	Croisillon dif.	
27	1009438	Bolt m/indv. 6-kant	Screw	Vis	M14 x 70 st.12.9

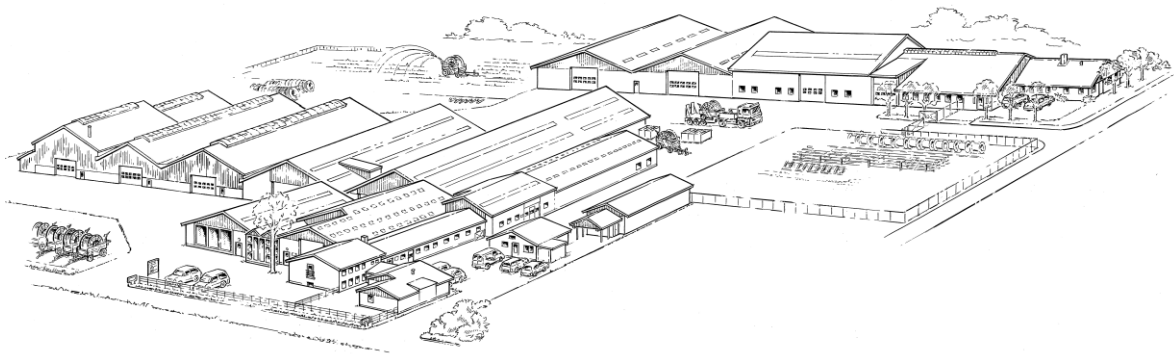
Tegning Nr. 2

1	1009440	Støtteskive	Planetary Shim	Rondelle	Spv.2010 mm.
1	1009441	Afstandsrør	Spacer	Entretoise	Spv.2010 mm.
2	1009442	Aksel/tandhjul	Planetary	Planétaire	
3	1009443	Låserring	Seeger	Circlip	E - 34 mm.
4	1009445-4	Låserring	Seeger	Circlip	I - 135 mm.
5	1009446-4	Gearhus	Spindle	Carter	
6	1009447	Aksel	Side pinion shaft	Axe	
7	1009448	Støtteskive	Side pinion Shim	Rondelle	
8	1009449-4	Tandhjul	Side pinion	Pignon	
9	1009450	Ruller	Rollers	Rouleaux	Ø5,0 x 29,8 Din 5402
10	1009452-4	Leje	Bearing	Roulement	32020
11	1009453	Tætningsring	Seal ring	Joint à lèvres	Ø220/250 x 15 mm.
12	1009461	Bolt m/indv. 6-kant	Screw	Vis	M6 x 16 st.8.8
13	1009463-4	Flange	Seal ring flange	Rondelle	
14	1009454-4	Nav	Wheel hub	Moyeu	
15	1009455-4	Nav bolt	Wheel stud	Goujon	M20 x 1,5 St.10.9
16	1009456-4	Navmøtrik	Wheel nut	Ecrou	M20 x 1,5
16	1009462-4	Konisk skive	Conic wheel spring	Rondelle conique	Ø20 mm.
17	1009451-4	Prop	Cap	Bouchon	M20 x 1,5 mm.
18	1009457-4	Leje	Bearing	Roulement	30216
19	1009444-4	Støtteskive	Side pinion Shim	Rondelle	
20	1009458-4	Låsemøtrik	Ring nut	Ecrou	M80 x 2,0 mm.
21	1009459-4	Låseskive	Snap ring	Joint torique	
22	1009460-4	Dæksel	Cap	Bouchon	
23	1009461	Bolt m/indv. 6-kant	Screw	Vis	M6 x 16 st.8.8
24	1009449-5	Planethjulskit	Planetary wheel kit	Planète roue kit	



FM 4800H + 4900H fra maskin nr. 5986 / FM 4800H + 4900H from machine no. 5986
FM 4800H + 4900H à compter de la Machine Nr. 5986

Pos. nr.	Best. nr.	Benævnelse	Description	Nomenclature	Bemærkninger
Pos. No	Part No				Remark
Pos. Nr.	Ordre Nr.				Remarque
1	E1060	Elbremse m/træklods	Electric brake w/wood.	Électrique frein avec arbre	
2	1007175	Endeprop	Plug	Couvercle	
3	1007180	Motor	Engine	Moteur Electrique	12 v.
4	1007190	Tandhjul	Cogwheel - Small	Pignon	10 T.
5	763670	Bolt	Bolt	Boulon	M5 x 10 mm.
6	1008955	Relæ	Relay	Relais Elec.	
7	1008905	Motorhus	Enginehousing	Logement moteur	
8	763860	Låsemøtrik	Nut	Ecrou	M5
9	1008920	Aksel	Axle	Axe	
10	1008921	Bøsning	Bushing	Coussinet	ø16/24 x 15 mm.
11	1008945	Skærm	Shield	Carter	
12	872138	Bolt	Bolt	Boulon	ø4,2 x 9,5 mm
13	763865	Låsemøtrik	Nut	Ecrou	M12
14	1008960	Stik (hun)	Pulg	Prise femelle	
15	763675	Bolt	Bolt	Boulon	M5 x 30
16	-	-	-	-	-
17	763435	Bolt	Bolt	Boulon	M8 x 35 mm.
18	763680	Bolt	Bolt	Boulon	M8 x 16 indiv. 6-kant
19	1007195	Tandhjul	Cogwheel - Small	Crémaillère	1/3 del udb. ø16
20	763575	Bolt	Bolt	Boulon	M10 x 70 mm.
21	-	-	-	-	-
22	763760	Pinoiskrue	Allen Screw	Vis Allen	M6 x 10 mm.
23	1008925	Hulplade	Fittings	Capteur	
24	761119	Fjeder	Spring	Ressort	ø5,0 x 32 x 175 mm.
25	763700	Bolt	Bolt	Boulon	M12 x 45 mm.
26	1008915	Arm	Shaft	Patte de liaison	
27	763620	Bræddebolt	Carriage Bolt	Boulon	M8 x 40 mm.
28	763750	Låsemøtrik	Nut	Ecrou	M16
29	902119	Bremsesko	Fittings	Support patin	
30	902120-1	Bremseklods	Brake Lining	Patin frein	
31	1008970	Håndtag m. kabel	Handle	Poigné	
32	1008965	Stik (han)	Plug	Prise tracteur (Mâle)	
33	-	Møtrik	Nut	Ecrou	M8
34	763863	Låsemøtrik	Nut	Ecrou	M8
35	733625	Bolt	Bolt	Boulon	M16 x 40 mm.
36	1008971	Håndtag m. kabel	Handle cpl.	Poigné cpl.	
37	1001255	Jordspyd	Earth Rod	Piquet d'ancrage	
38	1008966	Advarselstrekant	Warning Triangle	Triangle de signalisation	Med beslag
39	1007624	Beslag stopbøjle	Fittings	Capteur	
40	1007623	Rør slangestuds	Tube	Raccord	For Ø110 mm. Slange
40	1007623-5	Rør slangestuds	Tube	Raccord	For Ø125 mm. Slange
41	16200728	Spændebånd	Hose Clip	Collier	Ø92-97 mm.
42	-	Låsemøtrik	Nut	Ecrou	M10
43	1007621	Stopring	Stopring	Bague d'arrêt	
44	16200730	Spændebånd	Hose Clip	Collier	Ø98-103 mm.
45	1001018	Rør	Tube	Raccord hydrant	3"
46	1007900	Slange	Hose	Souple	Ø90 x 3500 mm.
47	762088	Stop med aksel kpl.	Stop with axle	Arret avec arbre	For Ø110 mm. Slange
47	762089	Stop med aksel kpl.	Stop with axle	Arret avec arbre	For Ø125 mm. Slange
48	1007624-16	Løfteaksel	Lift axle	Levier arbre	Ø22 x 450 mm
49	763750	Låsemøtrik	Nut	Ecrou	M16
50	1007184	Klemring	Tightening Ring	Bague	U-7.0
51	761229	Bolt	Bolt	Boulon	M12 x 35 mm
52	1008942	Holder for bremse	Brake mounting	Support	
53	763520	Bolt	Bolt	Boulon	M8 x 16 mm
54	762031	Fjernbetj. El-bremse Kpl..	Remote Control electr.brake cpl.	Télécommande pour frein électrique cpl.	
55	762032	Håndsender El-bremse	Transmitter electr.brake.	Émetteur pour frein électrique	
56	762033	Modtager El-bremse	Receiver Remote control brake	Récepteur pour frein électrique.	



FASTERHOLT TM

**A/S FASTERHOLT MASKINFABRIK
EJSTRUPVEJ 22, DK-7330 BRANDE
DENMARK**

TEL.: +45 97 18 80 66 FAX: +45 97 18 80 40

E-MAIL:MAIL@FASTERHOLT.DK

www.fasterholt.dk