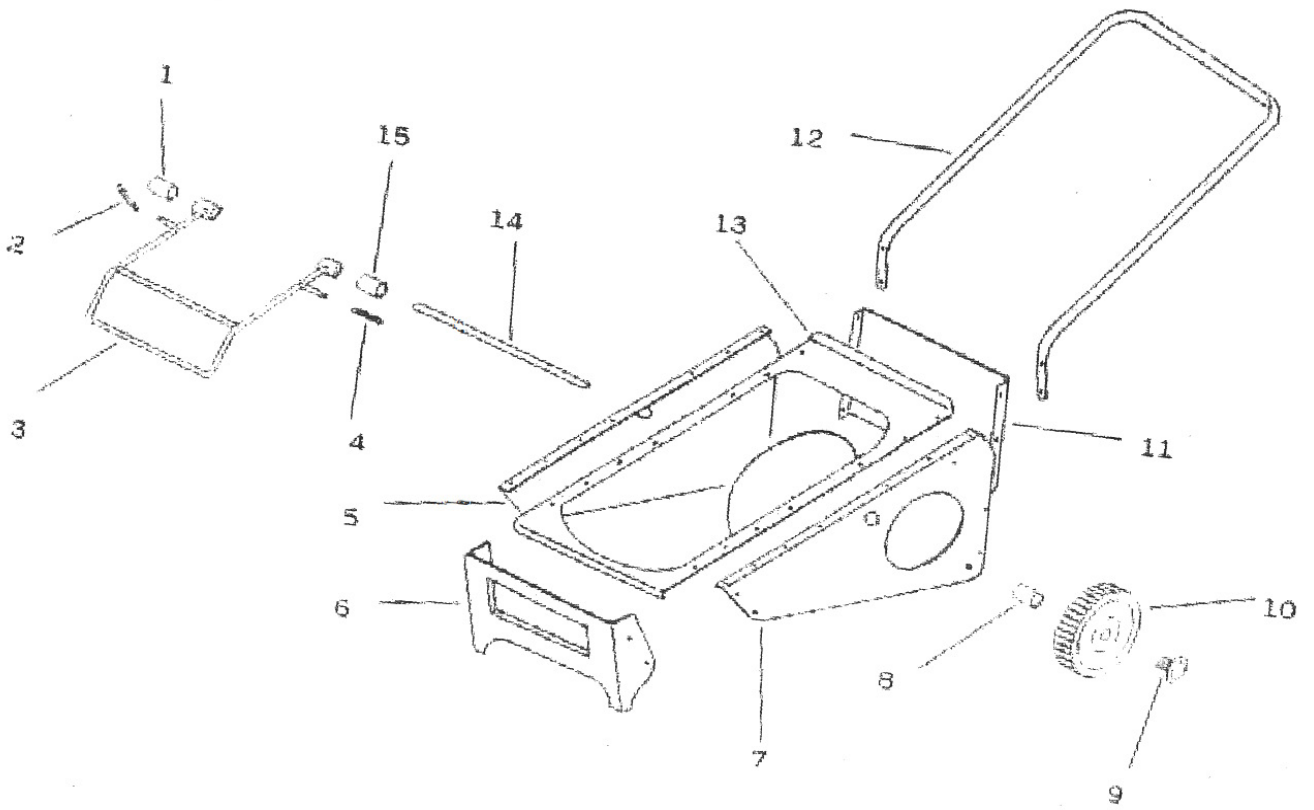


Strolling Mini 20-40

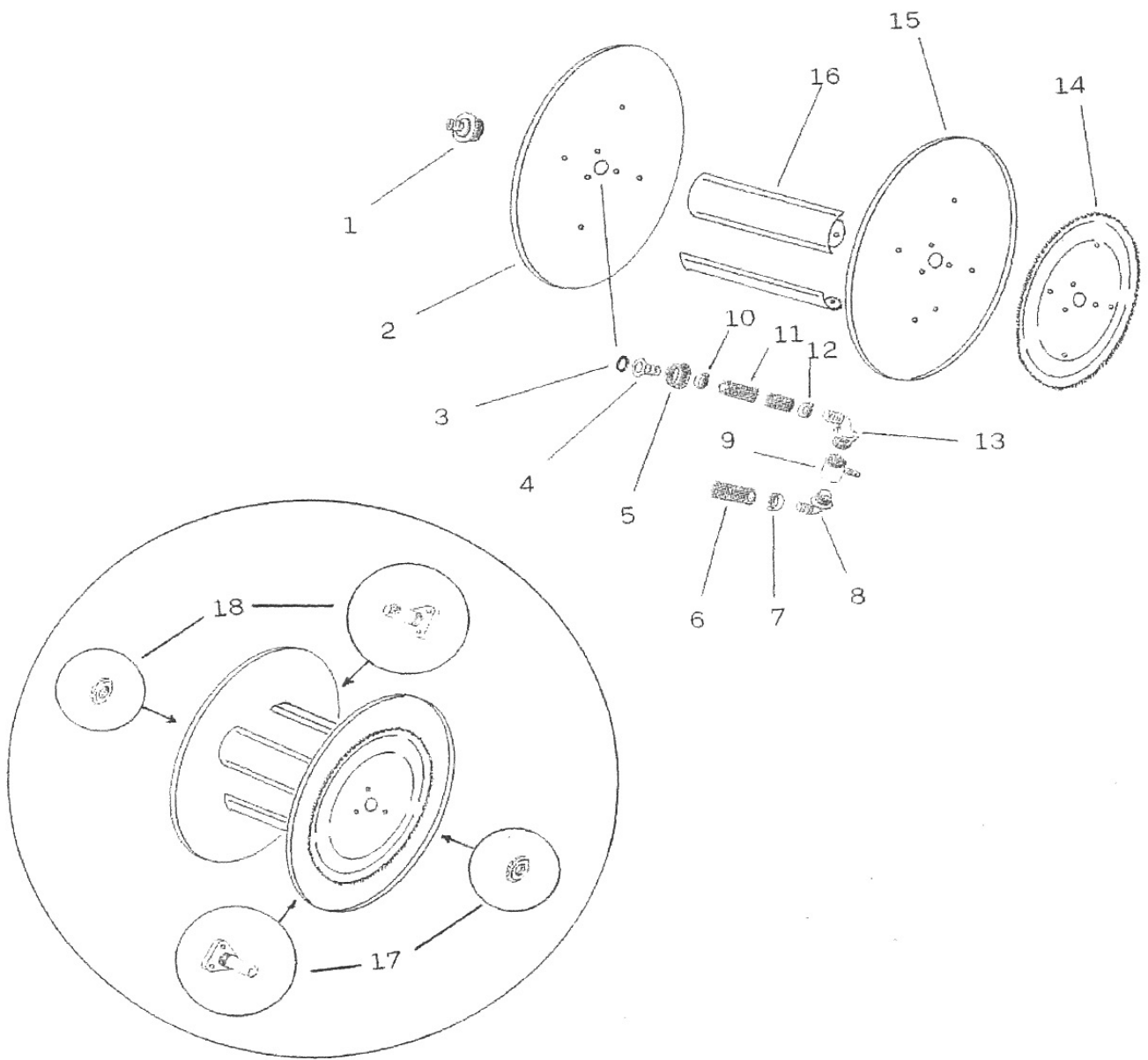
Spare Parts Catalog



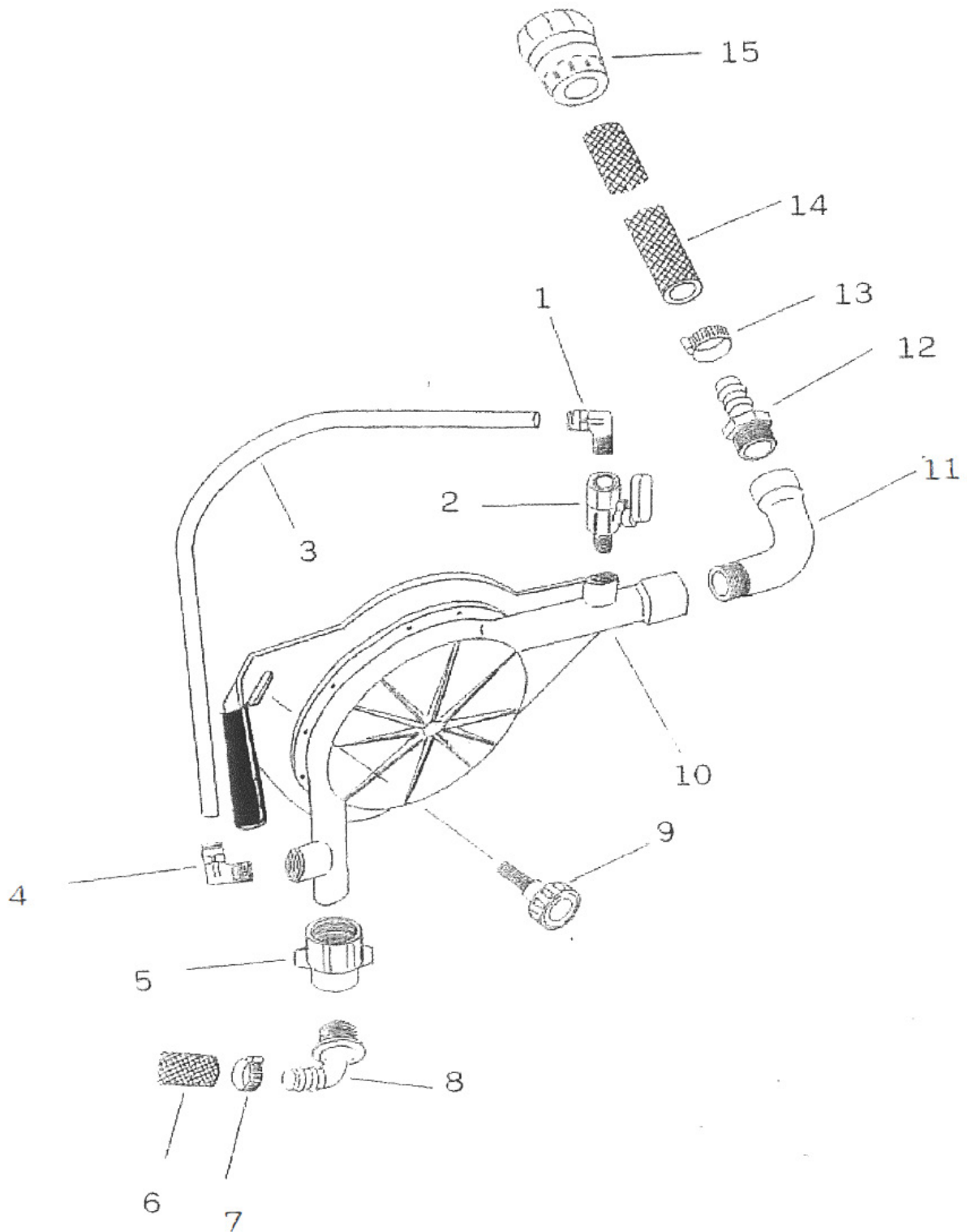
FASTERHOLT



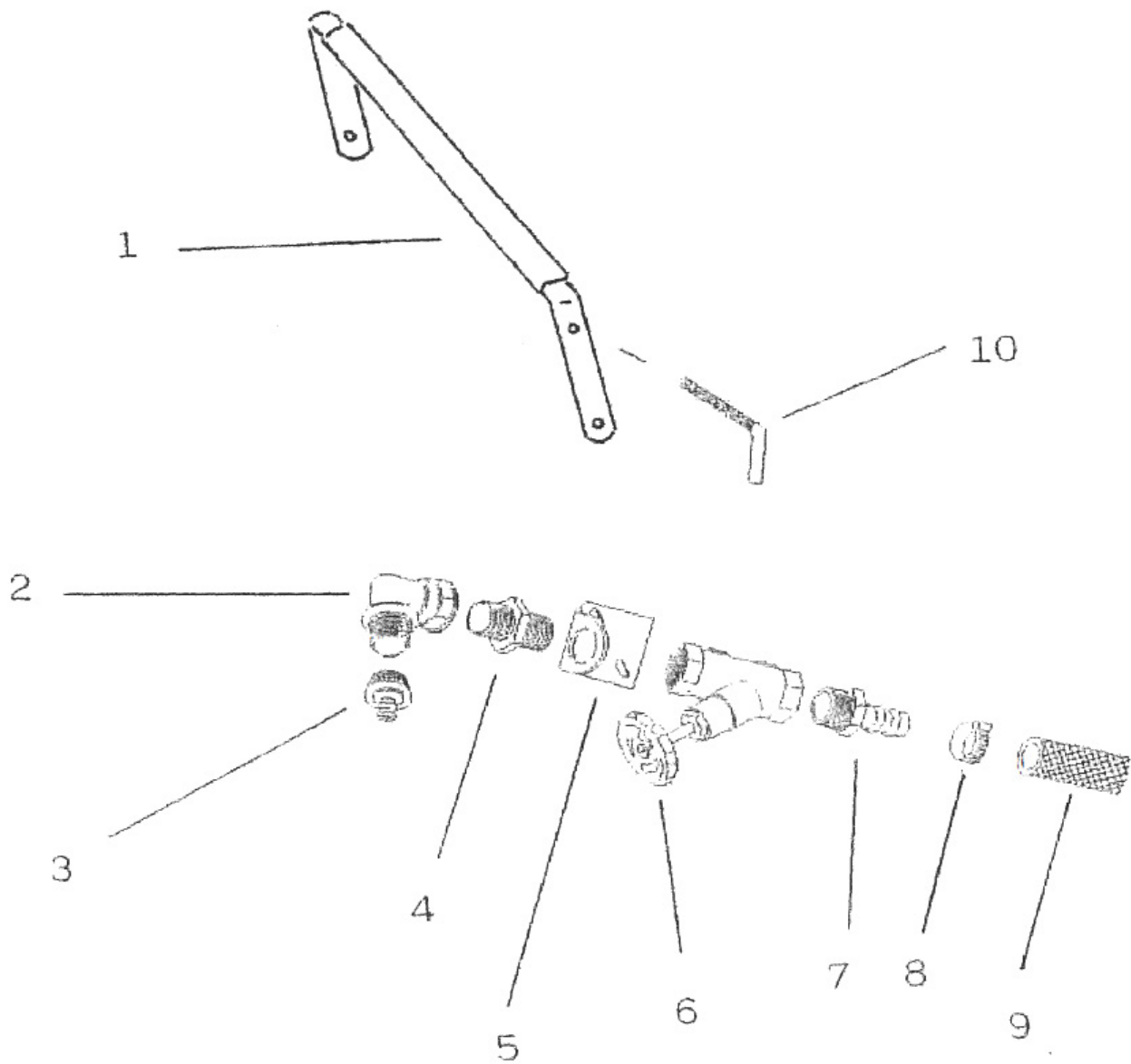
POSITION	ITEM NUMBER	DESCRIPTION	REMARKS
1	730401	BUSHING	
2	730402	SPRING	
3	730403	BRACKET	
4	730402	SPRING	
5	730405	RIGHT SIDE PLATE	
6	730406	FRONT PLATE	
7	730407	LEFT SIDE PLATE	
8	730408	BUSHING	
9	730409	WHEEL LOCK	
10	730410	REAR WHEEL	
11	730411	BACK	
12	730412	PLATE	
13	730413	TOP PLATE	
14	730414	WHEEL AXLE	
15	730415	BUSHING	



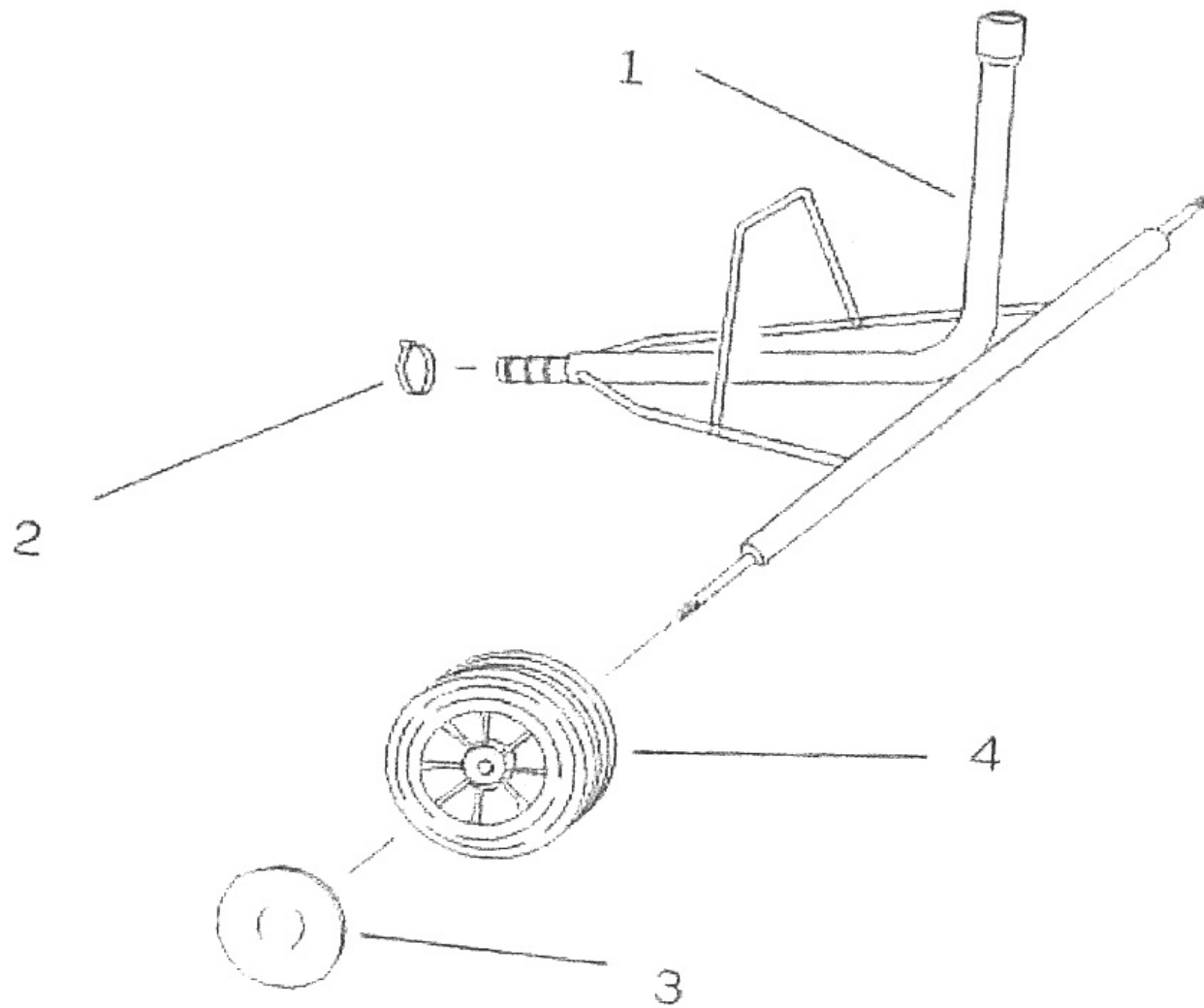
POSITION	ITEM NUMBER	DESCRIPTION	REMARKS
1	730416	WATER CONNECTION	
2	730417	END FOR FERRIS WHEEL	
3	730418	SEAL	
4	730419	HOSE CONNECTION	
5	730420	COVER	
6	730324	3/4" HOSE FOR WATER	
1	730422	STRAP	
8	730423	HOSE CONNECTION	
9	730424	COUPLING	
10	730422	STRAP	
11	730324	3/4" HOSE FOR WATER MACHINE	
12	730422	STRAP	
13	730423	HOSE CONNECTION	
14	730433	GEAR FOR FERRIS WHEEL	
15	730434	END FOR FERRIS WHEEL	
16	730435	CORE BEAM FOR FERRIS	
17	730440	AXLE WITH NUT	LEFT
18	730441	AXLE WITH NUT	RIGHT



POSITION	ITEM NUMBER	DESCRIPTION	REMARKS
1	591189	FIXED ANGLE 1/4"X10 MM HOSE	
2	195010	1/4" BALL VALVE NIPPLE/FEMALE WITH HANDLE	
3	730444	PIPE	
4	591189	FIXED ANGLE 1/4"X10 MM HOSE	
5	730446	COUPLING	
6	730324	3/4" HOSE FOR WATER	
7	730422	STRAP	
8	730423	HOSE CONNECTION	
9	730450	HAND SCREW	
10	730452	COMPLETE	
11	000001404	90 DEGREE BEND G. 1/2	
12	730454	HOSE CONNECTOR	
13	730422	STRAP	
14	730324	3/4" HOSE FOR WATER	
15	730458	COUPLING	



POSITION	ITEM NUMBER	DESCRIPTION	REMARKS
1	730459	BRACKET	
2	730460	ANGLE	
3	730416	WATER CONNECTION	
4	730464	NIPPLE	
5	730465	FITTING	
6	730466	TAP	
7	730454	HOSE CONNECTOR	
8	730422	STRAP	
9	730324	3/4" HOSE FOR WATER MACHINE	
10	730471	HAND SCREW	



POSITION	ITEM NUMBER	DESCRIPTION	REMARKS
1	730472	CANNON CARRIAGE UNATTACHED	
2	730422	STRAP	
3	730474	HUB CAP	
4	730475	WHEEL FOR CANNON CARRIAGE	



FASTERHOLT

Fasterholt Maskinfabrik A/S
Ejstrup vej 22- DK-7330 Brande
Denmark



+45 97 18 80 66
+45 96 29 10 13 Værksted
+45 96 29 10 11 Lager



mail@fasterholt.dk