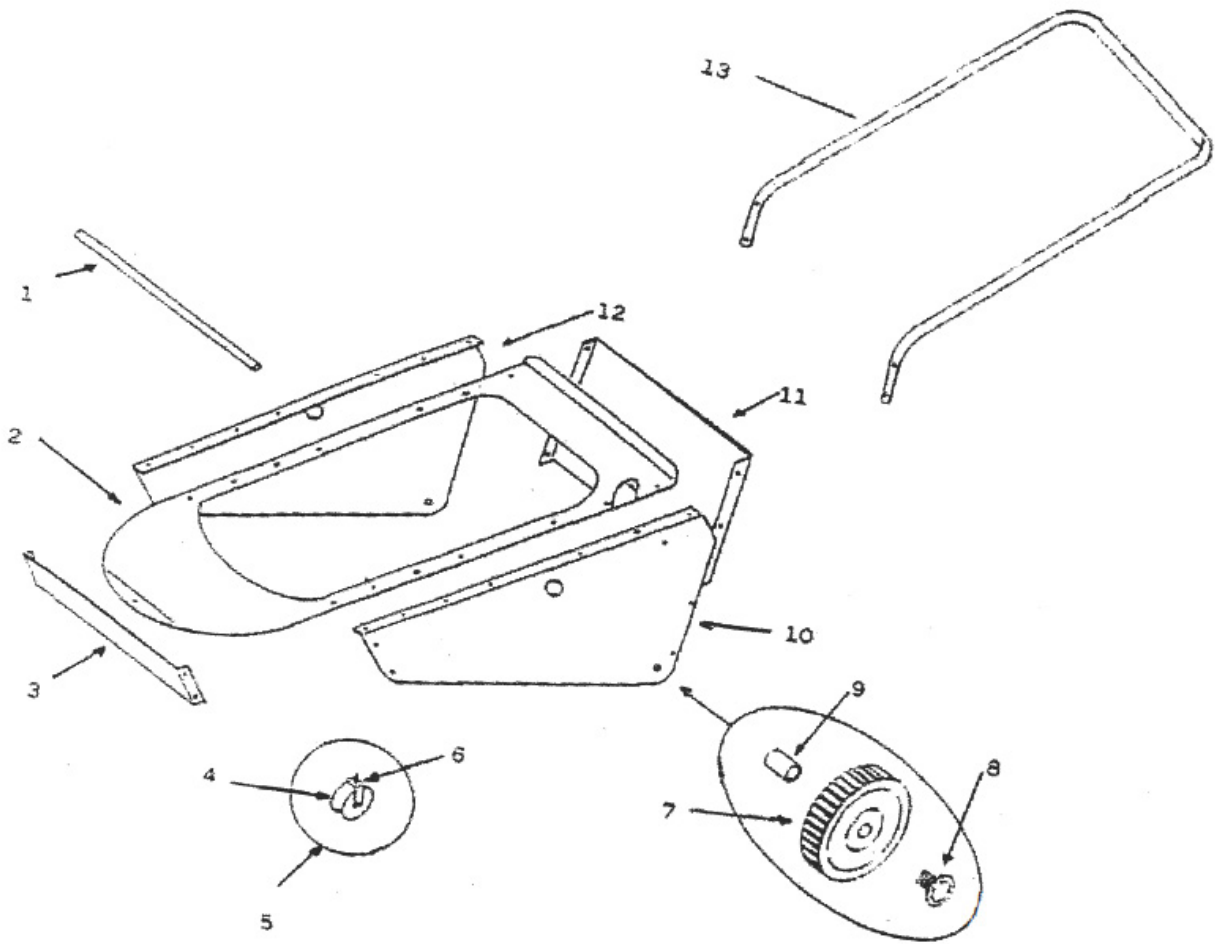


# PASSEGGIANDO MINI 20-30

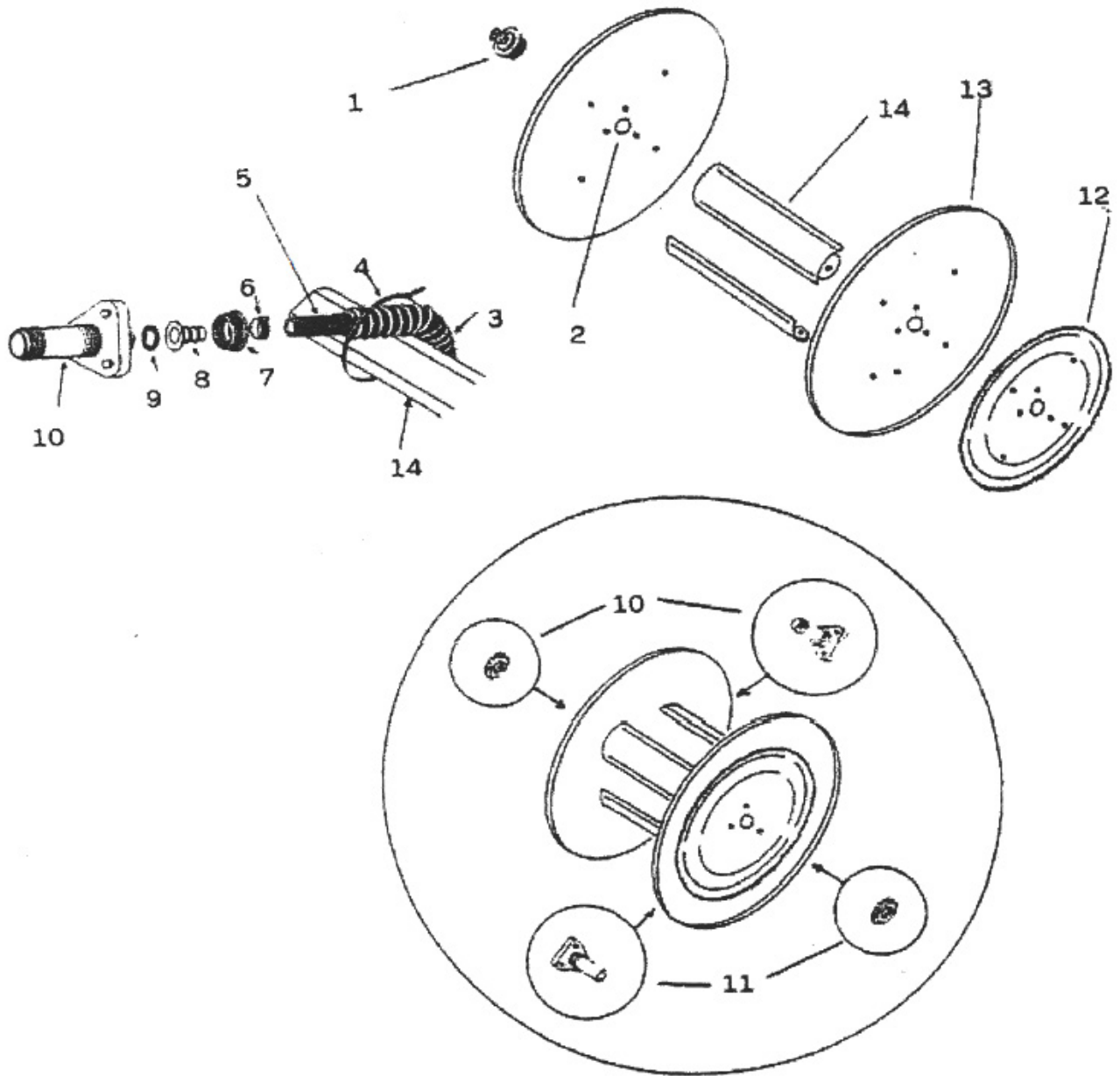
Sparepart catalog



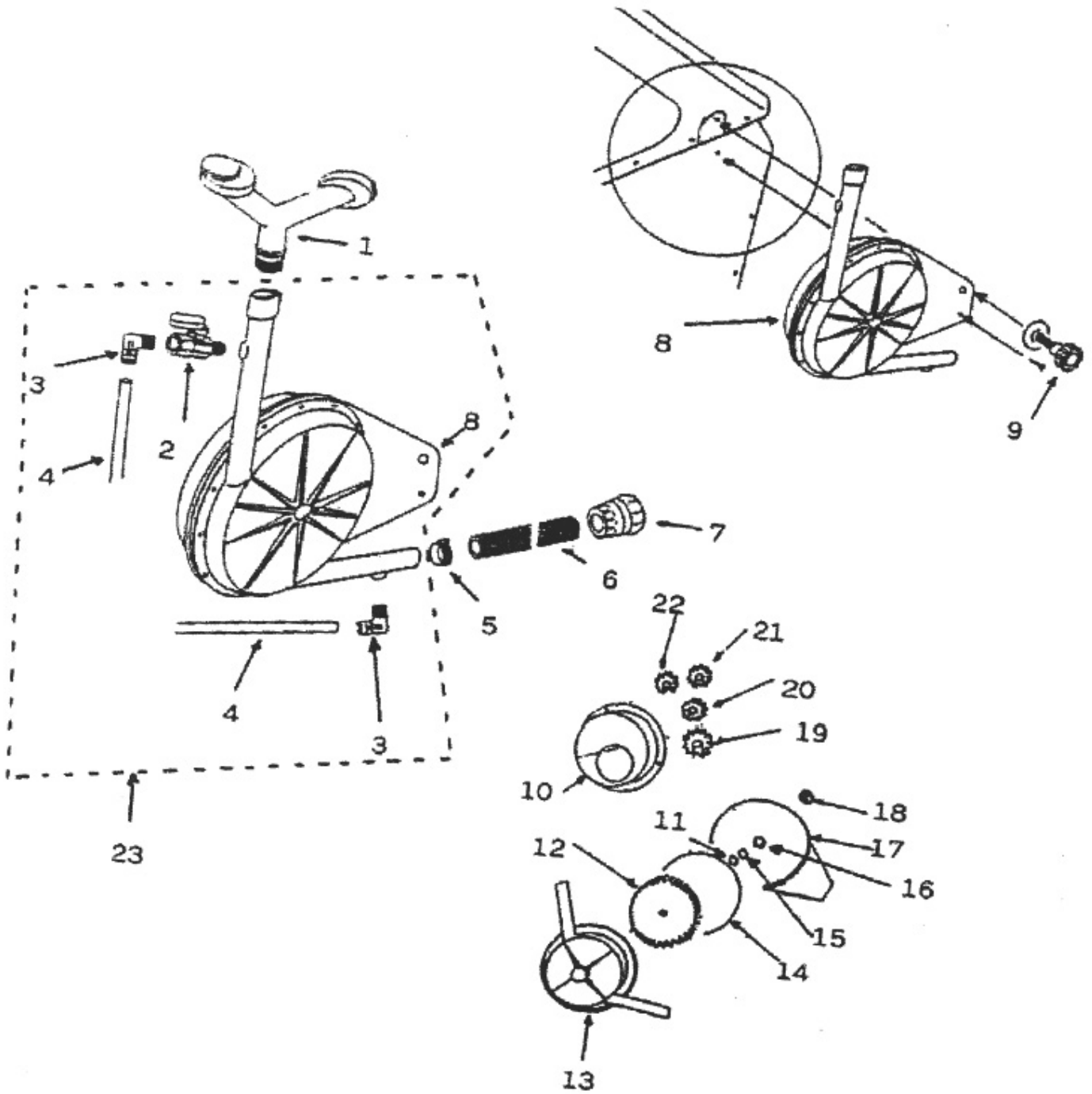
FASTERHOLT



POS.	ITEM NO.	DESCRIPTION	NOTES
1	730301	WHEEL AXLE	
2	730302	TOP PLATE	
3	730303	FRONT PLATE	
4	730304	NOSE WHEEL	
5	730305	COMPLETE NOSE WHEEL	
6	730306	FORK	
7	730307	BACK WHEEL	
8	730408	BUSHING	
9	730409	WHEEL LOCK	
10	730310	LEFT SIDE PLATE	
11	730411	BACK PLATE	
12	730405	RIGHT SIDE PLATE	
13	730313	HANDLE	



POS.	ITEM NO.	DESCRIPTION	NOTES
1	730416	WATER CONNECTOR	
2	730417	SIDE FOR FERRIS WHEEL	
3	730322	FLEXIBLE HOSE	
4	730323	HOSE CLAMP	
5	730324	3/4" HOSE FOR WATER MACHINE	
6	730422	CLAMP	
7	730420	CAP	
8	730419	HOSE FITTING	
9	730418	GASKET	
10	730441	AXLE WITH NUT	
11	730330	AXLE WITH GEAR	
12	730433	GEAR FOR FERRIS WHEEL	
13	730417	SIDE FOR FERRIS WHEEL	
14	730435	CORE BEAM FOR FERRIS WHEEL	



POS.	ITEM NO.	DESCRIPTION	NOTES
1	782010-2	1/2 SPRINKLER WITH SECTOR PERROT	
1-1	730338	ROTOR	
1-2	730477	SPRINKLER FOR LEADER	
2	195010	1/4" BALL VALVE NIP/MUF WITH T HANDLE	
3	591158	STRAIGHT FITTING 1/4X10/8 HOSE	
4	730342	PIPE	
5	730422	CLAMP	
6	730346	HOSE	
7	730458	COUPLING	
8	730350	TURBINE	
9	730352	THUMB SCREW	
10	730354	COVER	
11	730356	GASKET FOR GEAR COVER	
12	730358	GEAR	
13	730360	COVER FOR GEAR	
14	730362	O RING	
15	730364	O-RING	
16	730366	BUSHING	
17	730368	GEAR COVER	
18	730370	GEAR INV. M8	
19	730372	MINI GEAR 20-30 12TD.	
20	730374	GEAR	
21	730376	GEAR	
22	730378	MINI GEAR 20-40 8 TD.	
23	730380	COMPLETE TURBINE	



# FASTERHOLT

Fasterholt Maskinfabrik A/S  
Ejstrup vej 22- DK-7330 Brande  
Denmark



+45 97 18 80 66  
+45 96 29 10 13 Værksted  
+45 96 29 10 11 Lager



[mail@fasterholt.dk](mailto:mail@fasterholt.dk)