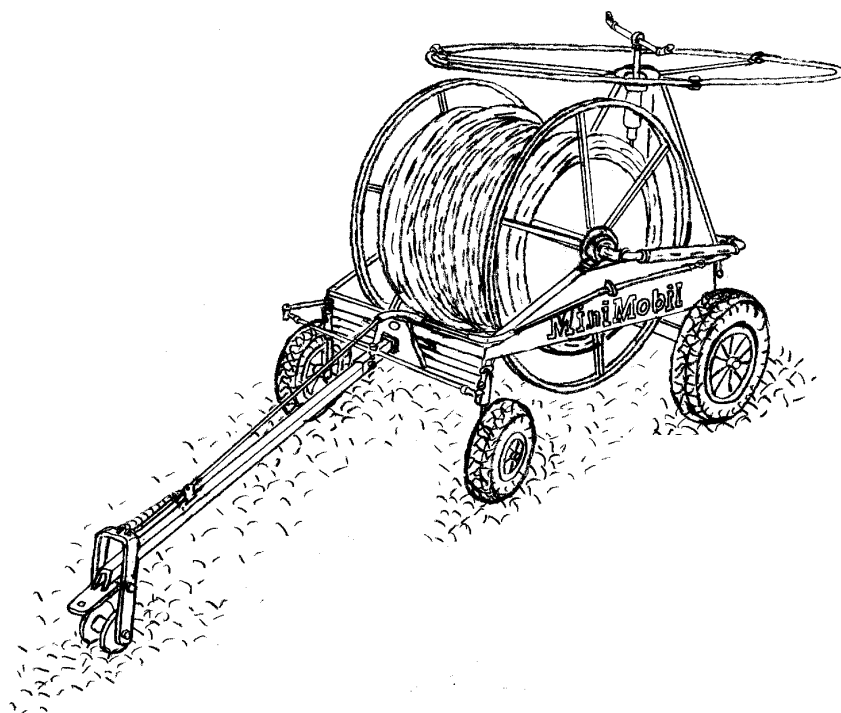


MiniMobil 32 - 40

OPERATOR INSTRUCTIONS
&
SPARE PARTS CATALOGUE



FASTERHOLT TM

**A/S FASTERHOLT MASKINFABRIK
EJSTRUPVEJ 22, DK-7330 BRANDE
DENMARK**

**TEL: +45 97 18 80 66 FAX: +45 97 18 80 40
SPARE PARTS: +45 96 29 10 11 WORKSHOP: +45 96 29 10 13**

Date: 25/06-2012

A/S Fasterholt Maskinfabrik

Table of contents for MiniMobil 32 - 40

Operator instructions:

<u>Operator instructions for MiniMobil 32 and 40</u>	Page 1
<u>1. Safety guidelines and warnings</u>	Page 1
1.1 Sprinkler data for MiniMobil32.....	Page 2
1.2 Sprinkler data for MiniMobil40.....	Page 2
<u>2. Starting the MiniMobil 32 and 40</u>	Page 3
2.1 End of irrigation.....	Page 3
<u>3. Change of pace/spread width</u>	Page 4
3.1 Rotor nozzle data for MiniMobil 32 and 40.....	Page 4
<u>4. Maintenance</u>	Page 4
4.1 Maintenance of bearings and steer wheels on MiniMobil 32 and 40..	Page 4
4.2 Maintenance of hose steer and cross track shaft on MiniMobil 40...	Page 5
<u>5. Winter preparation</u>	Page 5
<u>6. Technical data</u>	Page 5
6.1 Technical data for MiniMobil 32.....	Page 5
6.2 Extra equipment for MiniMobil 32.....	Page 6
6.3 Technical data for MiniMobil 40.....	Page 6
6.4 Extra equipment for MiniMobil 40.....	Page 6
<u>7. Package dimensions for shipment</u>	Page 6
7.1 Package dimensions for shipment of MiniMobil 32.....	Page 6
7.2 Package dimensions for shipment of MiniMobil 40.....	Page 6

Spare parts list:

MiniMobil 32:

<u>Frame, wheel, steering axle, draw and hose</u>	Page 1-1
<u>Hose drum, sprinkler and belt tension</u>	Page 2-1
<u>Rotor, worm gear and axle</u>	Page 3-1

MiniMobil 40:

<u>Frame, steering axle, draw and hose</u>	Page 4-1
<u>Draw bar, wheel and shield</u>	Page 5-1
<u>Cross track shaft and slide</u>	Page 6-1
<u>Hose drum and hose</u>	Page 7-1
<u>Sprinkler and belt tension</u>	Page 8-1
<u>Rotor, worm gear and axle</u>	Page 9-1

A/S Fasterholt Maskinfabrik

!!! IMPORTANT!!!

READ THOROUGHLY BEFORE YOU START USING YOUR IRRIGATOR!

Operator instruction for MiniMobil 32 and 40

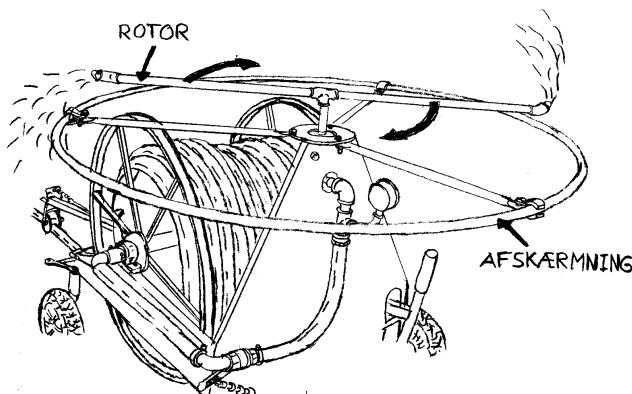
Having purchased a Fasterholt irrigator, you have got a Danish quality irrigator. But even the best of machines only yield top results, when it is used and operated correctly.

To maintain the machine directive – in accordance with EU agreement, it is necessary and important only to use original spare parts. Otherwise the agreement cannot be observed, and the safety will be entirely your own responsibility.

This irrigator is produced to use clean water from a drilling, a stream or through a direct coupling to public water.

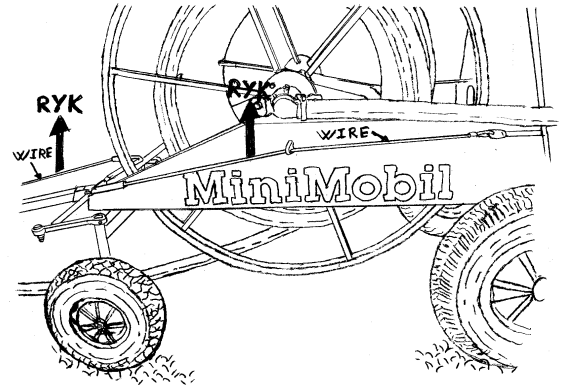
1. Safety guidelines and warnings!

- Staying on the machine during irrigation and transport is prohibited! **It is dangerous!**
- The shields are mounted for your safety – do not remove them!



EMERGENCY STOP DEVISE:

In case of an unforeseen incident just pull the wire anywhere, and the machine will stop immediately.



WARNING!

- Warning against any contact with electric wires from machine or jet of water. Avoid irrigation on or close to power lines.
- Maximum pace during transportation with water in the hose is 15km/h.

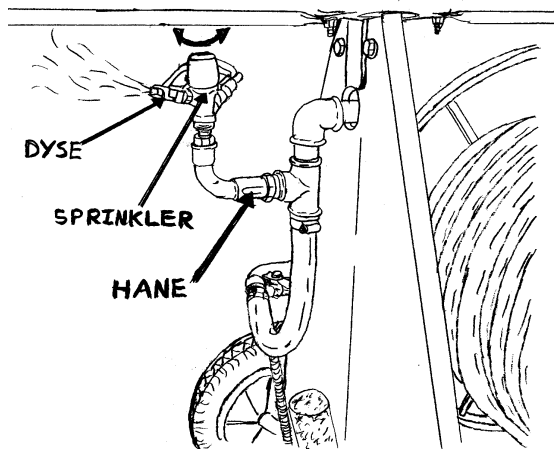
DANGER!

- Avoid welding on painted areas.
- In case of welding, all paint must first be removed from the welding area.
- Avoid inhaling of grind dust.

IMPORTANT!

- Irrigation with more than 8 bar water pressure require the use of a pressure reduction valve, as the Tricoflex hoses at the maximum can load 8 bar pressure at 20° C.
- Disposal of hose, tyres and other parts from the irrigator should be disposed at an approved waste site.

A/S Fasterholt Maskinfabrik



WARNING! IMPORTANT!

Keep your distance, while the MiniMobil is running!

- When you start the irrigator, you must always stay in a safe distance to the machine when the rotor starts turning and the sprinkler starts functioning.

- Be aware of children playing close to your MiniMobil irrigator.

- Make sure that children never start the MiniMobil irrigator on their own.

1.1 Sprinkler data for MiniMobil 32:

The 1/2" Sprinkler is extra equipment for the MiniMobil 32 and is mounted with a Ø4.0 mm (5/32") nozzle.

Technical data for nozzles for 1/2" sprinkler:

Nozzle size Ø2.4 mm (3/32")

Pressure in bar	Spread width in metres	Water consumption in m ³ /h
2.5	16.4	0.42
3.0	16.9	0.46
3.5	17.4	0.50
4.0	17.8	0.55

Nozzle size Ø2.8 mm (7/64")

Pressure in bar	Spread width in metres	Water consumption in m ³ /h
2.5	17.6	0.65
3.0	18.2	0.70
3.5	18.5	0.75
4.0	19.0	0.80

Nozzle size Ø3.6 mm (9/64")

Pressure in bar	Spread width in metres	Water consumption in m ³ /h
2.5	19.9	0.79
3.0	20.2	0.86
3.5	20.6	0.90
4.0	21.0	0.95

Nozzle size Ø4.0 mm (5/32")

Pressure in bar	Spread width in metres	Water consumption in m ³ /h
2.5	20.4	0.94
3.0	20.8	1
3.5	21.3	1.15
4.0	21.7	1.35

1.2 Sprinkler data for MiniMobil 40:

The 1" sprinkler is extra equipment for the MiniMobil 40 and is mounted with a Ø5.6 mm (7/32") nozzle.

Technical data for nozzles for 1" sprinkler:

Nozzle size Ø5.6 mm (7/32")

Pressure in bar	Spread width in metres	Water consumption in m ³ /h
3	25.5	1.6
4	28	1.9

Nozzle size Ø7.1 mm (9/32")

Pressure in bar	Spread width in metres	Water consumption in m ³ /h
3	28.9	3.1
4	31.5	3.7

Nozzle size Ø8.7 mm (11/32")

Pressure in bar	Spread width in metres	Water consumption in m ³ /h
3	32.3	5.2
4	34	6

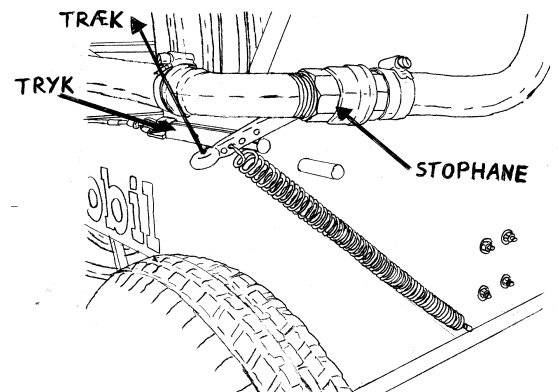
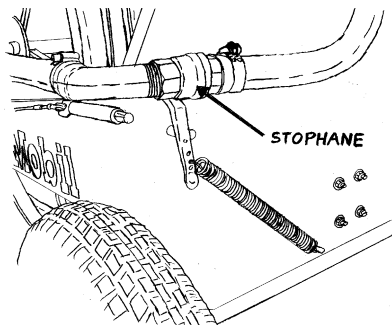
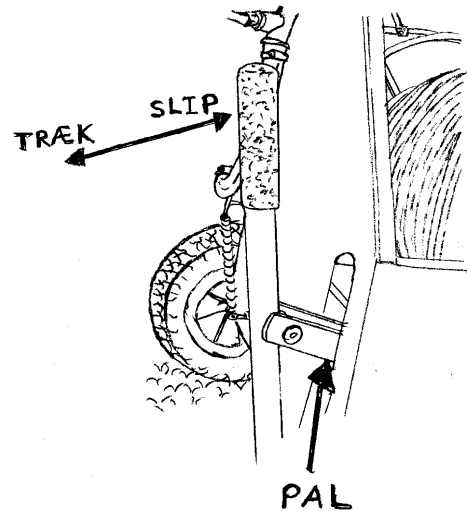
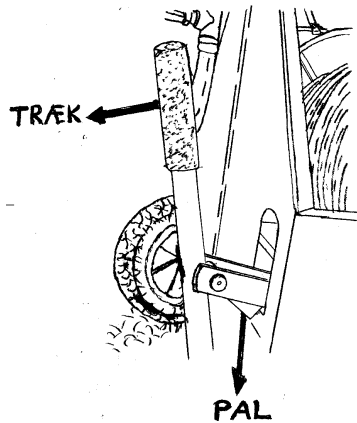
A/S Fasterholt Maskinfabrik

2. Starting the MiniMobil 32 and 40

- Lead the machine to the water tap by hand.
- Loosen the belt tightener, the stop tap is closed and pull out the machine by hand.

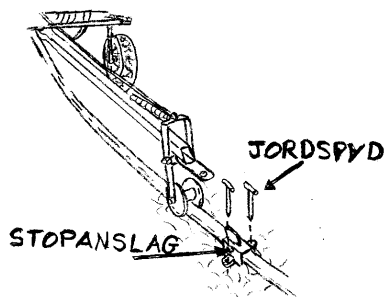
REMEMBER!

- Before starting the machine, the V-belt must be tightened and the stop tap opened. Possibly also the sprinkler.



- Mount the hose to the water tap.
- Place the stop touch and fasten it with ground spears.

- Open the water tap and the MiniMobil starts irrigating.



2.1 Stop irrigating

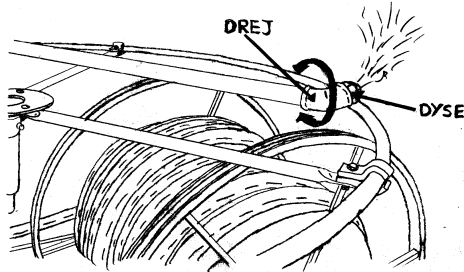
- Push the machine out into the area that you want to irrigate.

- When the hose is rolled completely in, the MiniMobil stops irrigating, as the front hose wheel hits the stop touch. Hereby the wire pulls the stop rod and the stop tap is set in closed position by the released spring. With the stop tap in closed position an overpressure is created, the water supply stops and the MiniMobil will stand still.

A/S Fasterholt Maskinfabrik

3. Change of pace / spread width

- By turning the mounted 90° bend, the pace and the spread width can be changed. If this isn't enough, other nozzles can be mounted (see data in part 3.1).



3.1 Rotor nozzle data for MiniMobil 32 and 40:

Technical data for nozzles for rotor

Rotor nozzle size: Ø3, Ø4, Ø5 and Ø6 mm

Nozzle size in mm	Pressure in bar	Water consumption in m ³ /h
2 x Ø3.0	1.4	0.84
2 x Ø3.0	1.75	0.94
2 x Ø3.0	2.1	1.03
2 x Ø3.0	2.5	1.13
2 x Ø3.0	2.8	1.2

Nozzle size in mm	Pressure in bar	Water consumption in m ³ /h
2 x Ø4.0	1.4	1.38
2 x Ø4.0	1.75	1.55
2 x Ø4.0	2.1	1.7
2 x Ø4.0	2.5	1.86
2 x Ø4.0	2.8	1.98

Nozzle size in mm	Pressure in bar	Water consumption in m ³ /h
2 x Ø5.0	1.4	2.2
2 x Ø5.0	1.75	2.5
2 x Ø5.0	2.1	2.8
2 x Ø5.0	2.5	3.05
2 x Ø5.0	2.8	3.3

Nozzle size in mm	Pressure in bar	Water consumption in m ³ /h
2 x Ø6.0	1.4	2.73
2 x Ø6.0	1.75	3.06
2 x Ø6.0	2.1	3.36
2 x Ø6.0	2.5	3.63
2 x Ø6.0	2.8	3.78

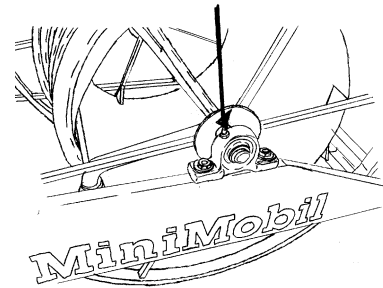
4. Maintenance

Approx. once a week by frequent use:

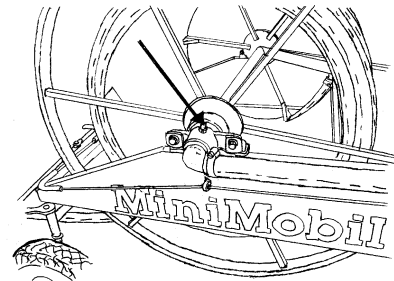
- Lubrication of main bearing, steer wheel, bearing at rotor and bearings at axle. Steer wheel needs lubrication with water resistant grease.
- Control of pressure i tyres

4.1 Maintenance of bearings and steer wheel on MiniMobil 32 and 40:

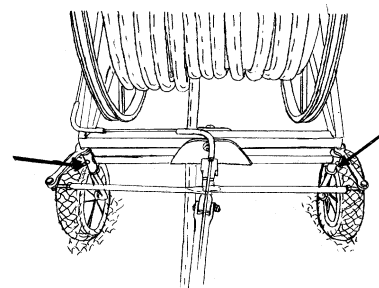
Main bearing in left side



Main bearing in right side

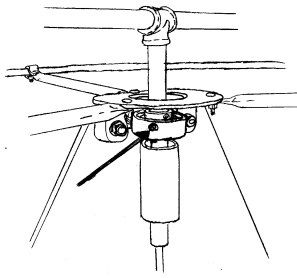


On steer wheel

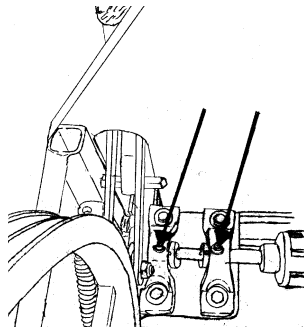


A/S Fasterholt Maskinfabrik

Bearing at rotor



Bearings at axle



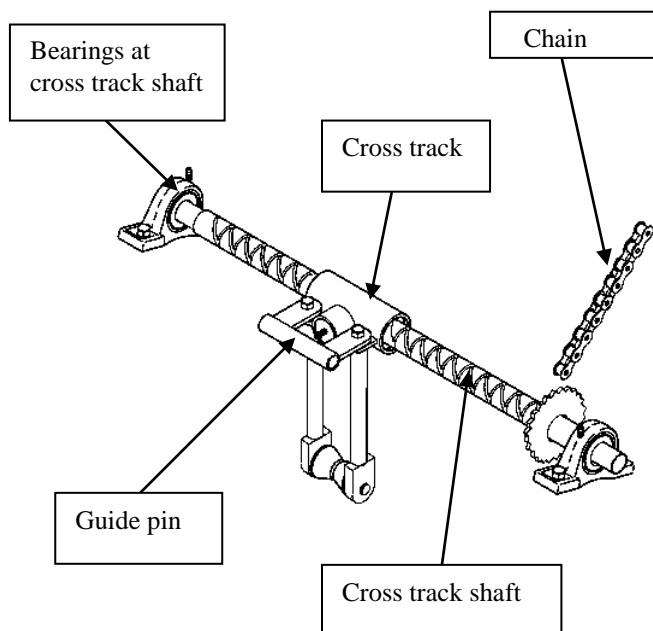
4.2 Maintenance of steer wheel and steer wheel axle on MiniMobil 40

Also the MiniMobil 40 needs lubrication with oil of cross track and the bearings at the cross track shaft approx. once a week by frequent use.

Remember frequently to lubricate cross track shaft and chain with water resistant grease.

The guide pin on the steer wheel must be inspected for wear and tear once a year.

Cross track shaft with bearings, chain and cross track.



5. Winter preparation

- The machine is emptied for water by opening the stop valve. The belt tightener is loosened and the hose unrolled by hand.
- The belt tightener is still loose, and the hose is rolled up again by hand.

6. Technical data:

6.1 Technical data for MiniMobil 32:

Hose: External: Ø32 x 50 metre
Internal: Ø26 mm
Tricoflex, max. 8 bar at 20° C

Spread width with rotor:

8,0 – 14,0 metre, depending on pressure and nozzle.

Rotor nozzles:

- 2 x Ø3 mm (standard)

Spread width with ½ ”sprinkler (extra equipment for MiniMobil 32):

16.4 – 23.3 metre, depending on pressure and nozzle.

Sprinkler capacity:

0.42 – 1.44 m³/hour, depending on pressure and nozzle. With 50 metre hose length.

Size of wheels:

- Rear wheel: 400/8 x 4 layer
- Front wheel: 300/8 x 4 layer

Pace at 2 m³ water or more:

- 5 – 20 metre/hour.

Weight:

- Weight without water with Ø32 x 50 metre (external measure) Tricoflex hose: 60 kg.

Gap between wheels, mounted:

- 820 mm

Width, mounted:

- 1200 mm including shield ring to rotor

A/S Fasterholt Maskinfabrik

Length, mounted:

- Length with lifted draw bar: 1250 mm
Including shield ring: 1585 mm
- Length with lowered draw bar: 2250 mm
Including shield ring: 2585 mm

Height, mounted:

- 1050 mm.

6.2 Extra equipment MiniMobil 32:

- ½" sprinkler w. Ø4 mm (5/32")
sprinkler nozzle to section irrigation
- Extra sprinkler nozzles: Ø2.4 mm (3/32"),
Ø2.8 mm (7/64") and Ø3.6 mm (9/64").
- Extra rotor nozzles: Ø4, Ø5 and Ø6 mm
- Pressure reduction valve (pressure over 8 bar):
Please contact Fasterholt Maskinfabrik

6.3 Technical data for MiniMobil 40:

Hose: External: Ø40 x 125 metre,
Internal: Ø34 Tricoflex, max. 8 bar at 20° C

Spread width with rotor:

12,0 – 18,0 metre, depending on pressure and nozzle.

Rotor nozzles:

- 2 x Ø3 mm (standard equipment)

Sprinkler capacity:

From 1.6 – 6 m³/hour. With 125 metre hose length.

Spread width with 1" sprinkler (extra equipment for MiniMobil 40):

25.5 – 34 metre, depending on pressure and nozzle.

Size of wheels:

- Rear wheel 500/8 x 4 layer
- Front wheel 400/8 x 4 layer

Pace of pull in:

- 5 – 25 metre/hour

Weight:

- Weight without water with Ø40 x 125 metre
(external dimension) Tricoflex hose: 150 kg.

Width, mounted:

- 1040 mm
- 1950 mm including rotor width

Length, mounted:

- Length with lifted draw bar: 1950 mm
- Length with lowered draw bar: 3050 mm

Height, mounted:

- 2000 mm

6.4 Extra equipment MiniMobil 40:

- 1" sprinkler w. Ø5.6 mm (7/32")
sprinkler nozzle to section irrigation
- Extra sprinkler nozzles: Ø7.1 mm (9/32")
and Ø8.7 mm (11/32")
- Extra rotor nozzles: Ø4, Ø5 og Ø6 mm
- Pressure reduction valve (pressure over 8 bar):
Please contact Fasterholt Maskinfabrik

7. Package dimensions for shipment:

7.1 Package dimensions for shipment of MiniMobil 32:

(With dismantled draw bar and rotor shield
ring)

Length: 1250 mm

Width: 820 mm

Height: 1050 mm

7.2 Package dimensions for shipment of MiniMobil 40:

(With dismantled draw bar and rotor)

Length: 1950 mm

Width: 1040 mm

Height: 1550 mm

MiniMobil 32

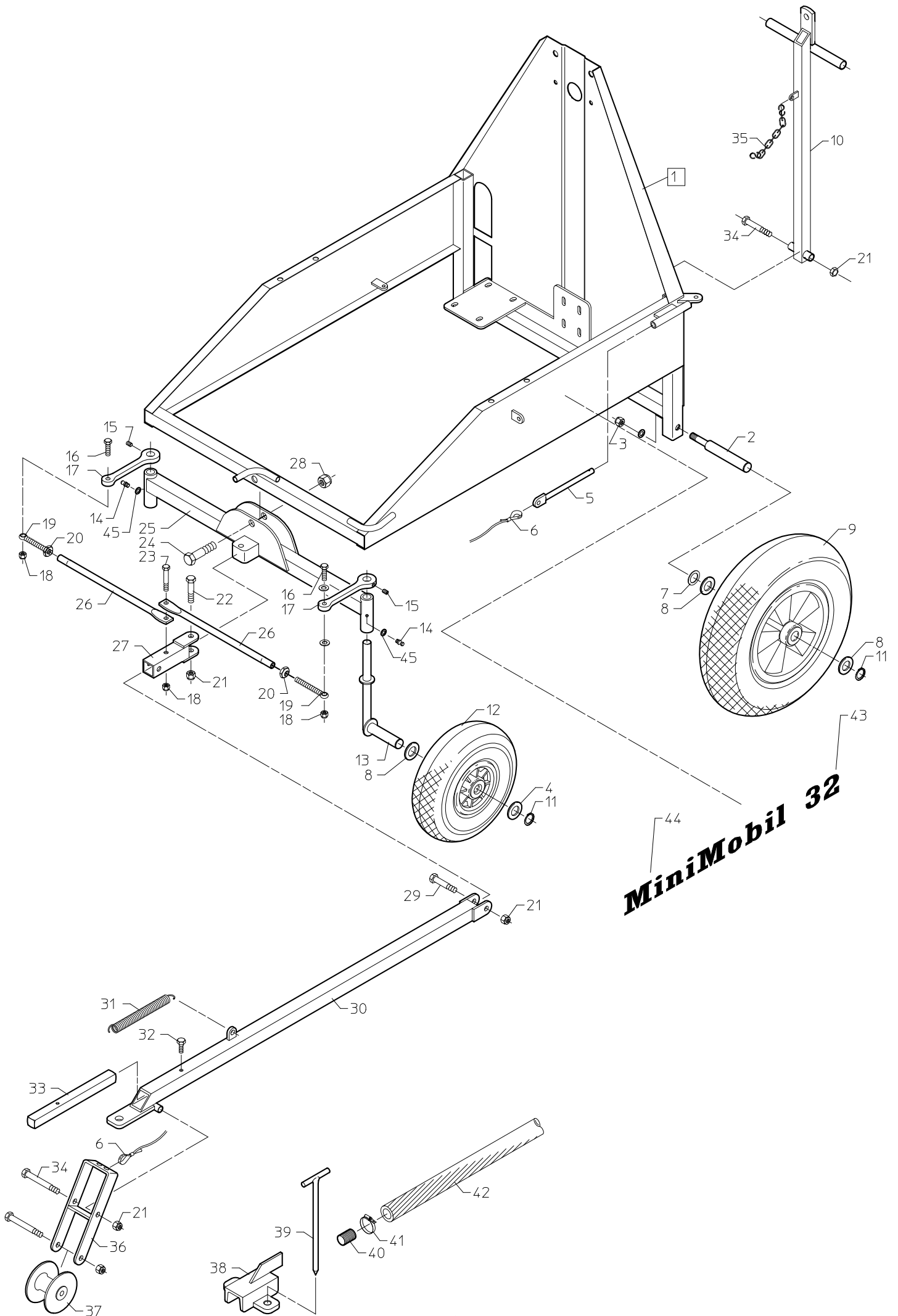
SPARE PARTS



**A/S FASTERHOLT MASKINFABRIK
EJSTRUPVEJ 22, DK-7330 BRANDE
DENMARK**

TEL: +45 97 18 80 66 FAX: +45 97 18 80 40

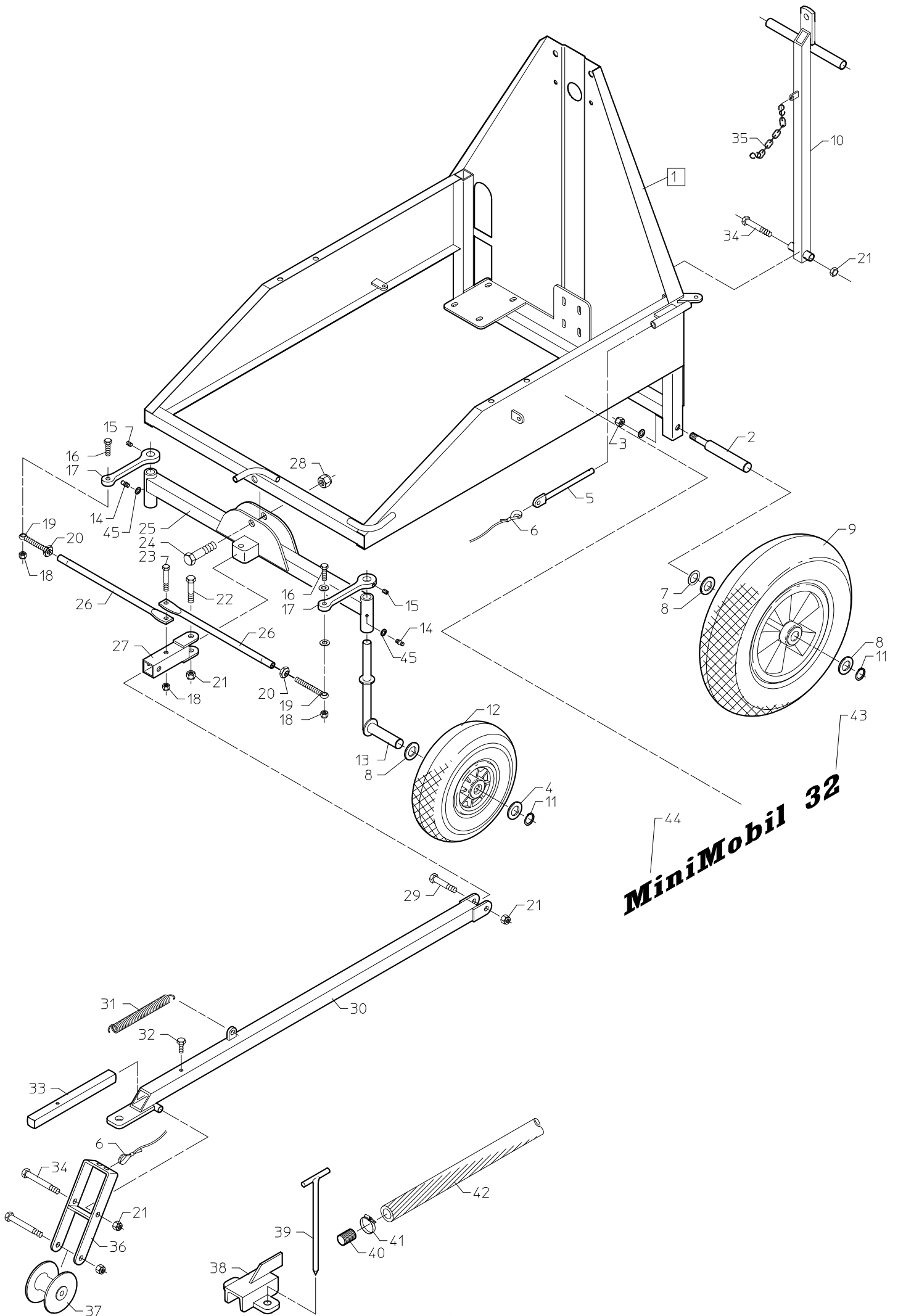
SPARE PARTS: +45 96 29 10 11 WORKSHOP: +45 96 29 10 13



MiniMobil 32

**MiniMobil 32 fra serie nr. 20001 / MiniMobil 32 from serial no.20001 / MiniMobil 32 ab Serie Nr. 20001 /
MiniMobil 32 á compter de la machine numéro 20001**

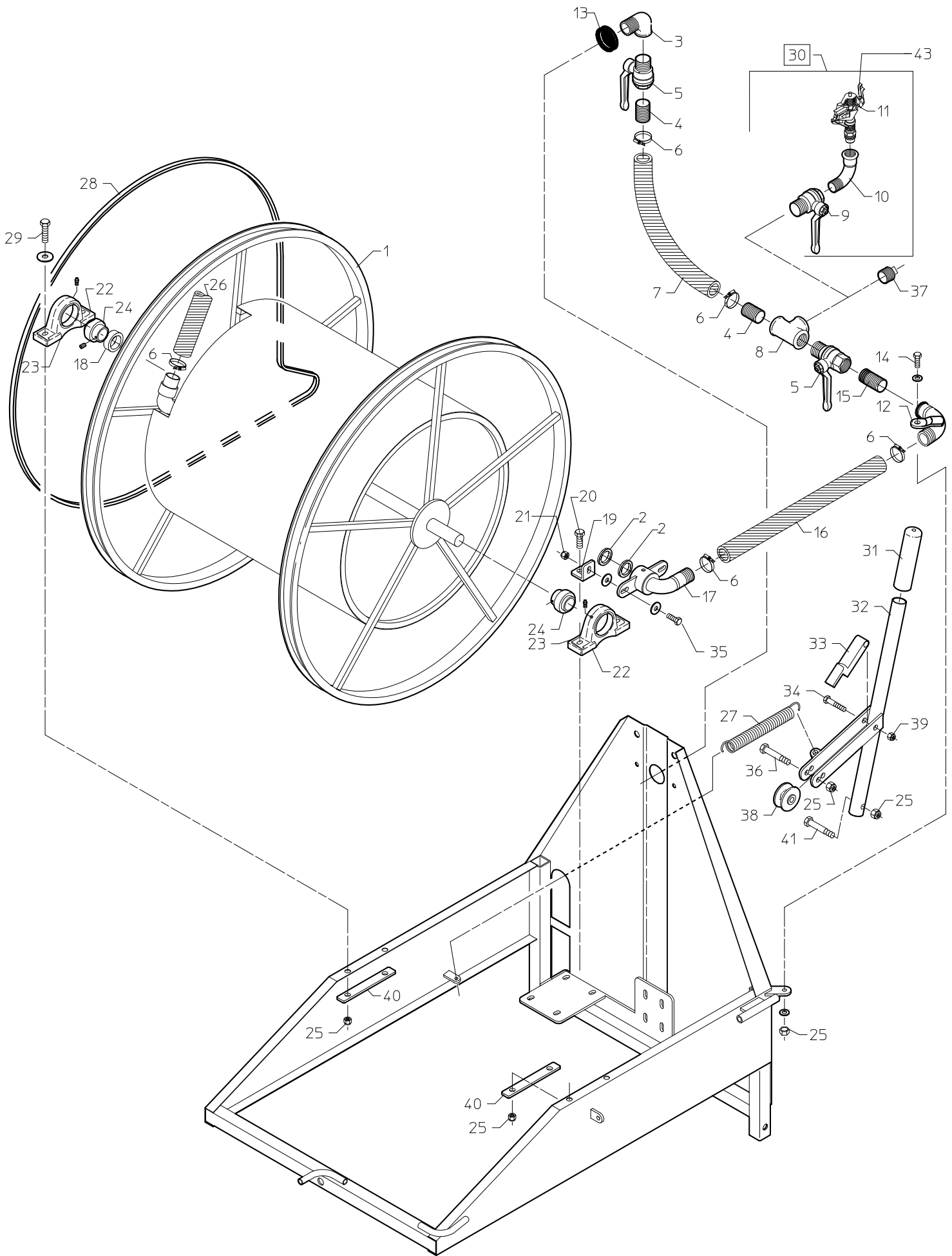
Pos. Nr. Part No. Pos. Nr. Pos. No.	Best.. Nr. Pos. No. Teil Nr. Piece No.	Benævneelse Designation	Bezeichnung Marque	Bemærkninger Remark Bemerkungen
1 -	1000001	Ramme Frame	Rahmen Cadre Carter	
2 -	1000001-4	Bagaksel Rear axle	Hinterachse Axe arrière	Ø 20 mm
3	-	Møtrik Nut	Mutter Ecrou	M12
4 -	-	Passkive Shim ring	Passscheibe Rondelle	Ø 20 x 1 mm
5 -	1000010	Stopstang Stop rod	Anschlagstange Barre d'arrêt	Ø10 x 125 mm
6 -	1000058	Wire Wire	Dracht Cable	Stopwire L= 2300 mm
7 -	-	Planskive Washer	Scheibe Rondelle	Ø 20
8 -	-	Skærmskive Washer	Scheibe Rondelle	Ø 20
9	1000520	Hjul, komplet Wheel, complete	Rad, komplett Roue, complet	Ø 400 mm
10 -	1000068	Bagtræk Drawbar	Deichsel Barre de attelage	
11 -	703020	Låsering udvendig Locking ring ext.	Sicherungsring äusserer Circlip ext.	20 mm
12	1000518	Hjul komplet Wheel complete	Rad komplett Roue complète	300 x 8"
13	1000007	Styrespindel Spindle, Front wheel	Spindel, Vorderrad Axe, Roue avant	
14 -	761286	Smørenippel Lubricating nipple	Schmiernippel Graisseur	M6 x 1 mm
15 -	763540	Pinolskrue Pointed screw	Reitstockschrabe Vis sans tete HC, tronconique	M6 x 6 mm
16 -	763430	Bolt Bolt	Bolzen Boulon	M8 x 30 mm
17 -	1000014	Spindelarm Spindle arm	Spindelarm Bras d'axe	
18	763863	Låsemøtrik Self-Locking nut	Selbstsichernde Mutter Ecrou autofreine hfr	M8
19	100193	Øjebolt Eyelet bolt	Augenbolzen Boulon d'oeil	M10 x 70 mm
20 -	761017	Møtrik Nut	Mutter Ecrou	M10
21	763864	Låsemøtrik Self-Locking nut	Selbstsichernde Mutter Ecrou autofreine hfr	M10
22 -	763630	Bolt Bolt	Bolzen Boulon	M10 x 55 mm
23 -		Bolt Bolt	Bolzen Boulon	M8 x 60 mm
24 -	895600	Bolt Bolt	Bolzen Boulon	M16 x 60 mm
25 -	1000006	Forbro Steering axle	Lenkachse Essieu de direction	L = 620 mm
26 -	1000008	Styrestang Steering bar	Lenkstange Barre de direction	L = 310 mm



MiniMobil 32

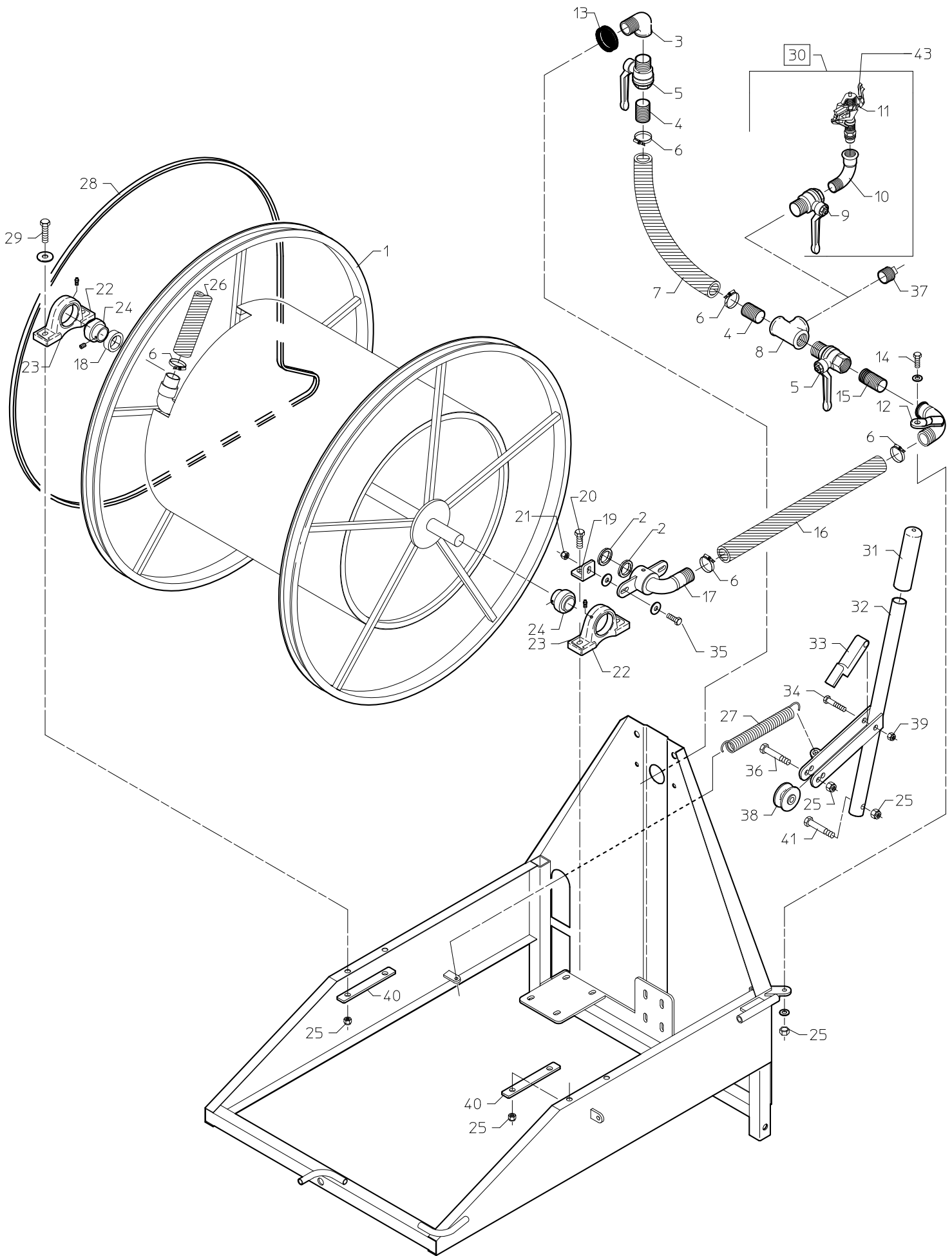
**MiniMobil 32 fra serie nr. 20001 / MiniMobil 32 from serial no.20001 / MiniMobil 32 ab Serie Nr. 20001 /
MiniMobil 32 á compter de la machine numéro 20001**

Pos. Nr. Part No. Pos. Nr. Pos. No.	Best.. Nr. Pos. No. Teil Nr. Piece No.	Benævnelse Designation	Bezeichnung Marque	Bemærkninger Remark Bemerkungen
27	1000012	Trækled Pull link, front	Verbindungsstück	
28	763750	Låsemøtrik Self-Locking nut	Selbstsichernde Mutter Ecrou autofreine hfr	M16
29	763630	Bolt	Bolzen	M10 x 55 mm
30	1000005	Bolt Trækstang Pull rod	Boulon Zugstange Barre de traction	L = 950 mm
31	661215	Fjeder Spring	Feder Ressort	
32	-	Bolt	Bolzen	M6 x 12 mm
-	-	Bolt	Boulon	
33	1000004	Vægtstang Lever	Hebel Levier	
34	-	Bolt	Schraube	M10 x 90 mm
-	-	Bolt	Boulon	
35	1000070	Kæde, bagtræk Chain	Kette Chaîne	Ø3.0 x 920 mm
36	1000009	Bøjle for næsehjulBügel Clamp		
37	1000020	Slangerulle Hose Reel	Schlauchwinde Dévidoir	Udb. Ø10.5 mm
38	1000044	Stopklods Stop Block	Anschlagklotz Butée d'arret	
39	1000042	Jordspyd Earth Rod	Verankerungspflock Piquet d'ancrage	Ø10 mm
40	1000582	Nippelrør Pipe Nipple	Nippelrohr Mamelon cylindrique	3/4"
41	904022	Spændebånd Clamp	Rohrschelle Collier	Ø22-32 mm.
42	16080120	Slange Hose	Schlauch Tuyau	Ø32 x 50 meter
43	1000552	Klæbemærke Sticker	Aufkleber Autocollant	32
44	1000550	Klæbemærke Sticker	Aufkleber Autocollant	MiniMobil
45	-	Planskive Washer	Scheibe Rondelle	Ø 6



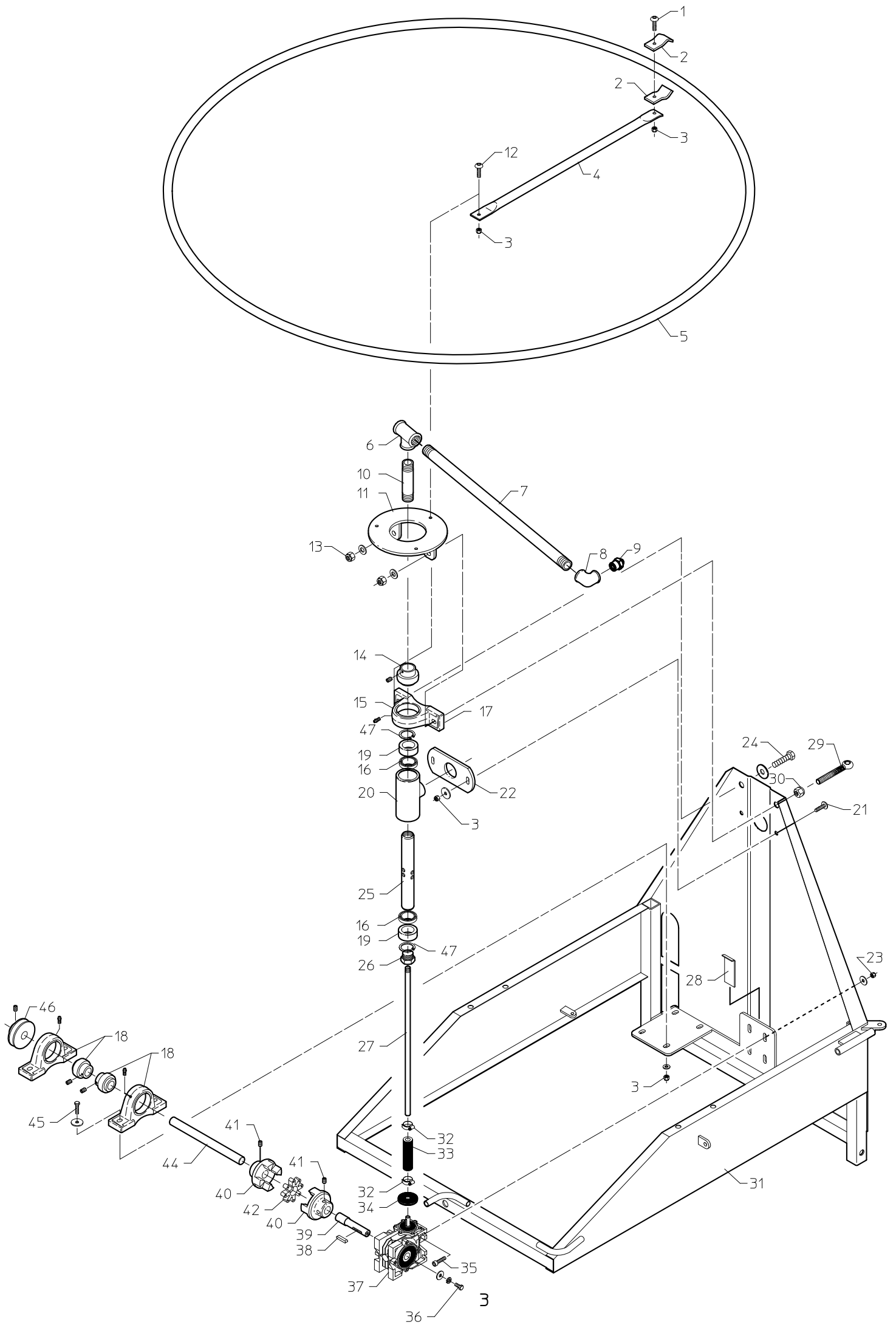
**MiniMobil 32 fra serie nr. 20001 / MiniMobil 32 from serial no.20001 / MiniMobil 32 ab Serie Nr. 20001 /
MiniMobil 32 á compter de la machine numéro 20001**

Pos. Nr. Part No. Pos. Nr. Pos. No.	Best.. Nr. Pos. No. Teil Nr. Piece No.	Benævneelse Designation	Bezeichnung Marque	Bemærkninger Remark Bemerkungen
1 -	1000002	Slangetromle Hose drum	Schlauchtrommeln Bobine de tuyau	
2 -	1000036	Pakning Gasket	Packung Joint	Ø38/25 x 7 mm
3 -	1000580	Vinkel Elbow	Knie Coude	3/4"
4 -	1000582	Nippelrør Pipe fitting	Rohrstutzen Raccord	3/4" x 40 mm
5 -	1000576	Kuglehane Ball valve	Kugelhahn Robinet à tournant sphérique	3/4" (m. fjeder)
6 -	904022	Spændebånd Clamp	Rohrschelle Collier	Ø22/32 mm.
7 -	1000590	Slange Hose	Schlauch Tuyau	Ø32 X 375 mm
8 -	1000584	T-stykke T-joint	T-Verbinder Té à 3 entrées	3/4" x 1/2" x 3/4"
9 -	1000570	Kuglehane Ball valve	Kugelhahn Robinet à tournant sphérique	1/2"
10 -	1000586	Bøjning Bend	Knie Coude	1/2"
11 -	782010-2	Sprinkler Sprinkler	Schwinghebelregner Asperseur	1/2"
12 -	1000025	Bøjning, stopventil Bend, Stop valve	Knie Coude	3/4"
13 -	1007589	Pakning Gasket	Packung Joint	Ø38/30 mm
14 -	761016	Bolt Bolt	Bolzen Boulon	M10 x 25 mm
15 -	1000573	Nippelrør Pipe fitting	Rohrstutzen Raccord	3/4" x 60 mm
16 -	1000597	Slange Hose	Schlauch Tuyau	Ø32 x 490 mm
17 -	1000040	Glidebøsning Sliding bushing	Gleitbuchse Manchon coulissant	Ø45 x 40 mm 3/4"
18 -	1000595	Afstandsør Spacer	Abstandsring Bague	1" x 13 mm Galv.
19 -	1000018	Beslag, udgangsbøjning Fitting	Beschlag Patte de fixation	35 x 35 x 5 mm
20 -	761083	Bolt Bolt	Bolzen Boulon	M10 x 40 mm
21 -	763863	Låsemøtrik Self-Locking nut	Selbstsichernde mutter Ecrou autofreine hfr	M8
22 -	842025	Ståleje, komplet Ball Bearing, complete	Stehlager, komplett Palier, complet	Ø25 mm komplet
23 -	842027	Lejehus Bearing Housing	Lagergehäuse Cage de roulement	Ø25 mm
24 -	842026	Kugleleje Bearing	Kugellager Roulement	Ø25 mm
25 -	763864	Låsemøtrik Self-Locking nut	Selbstsichernde mutter Ecrou autofreine hfr	M10
26 -	16080120	Slange Hose	Schlauch Tuyau	Ø32 x 50 meter



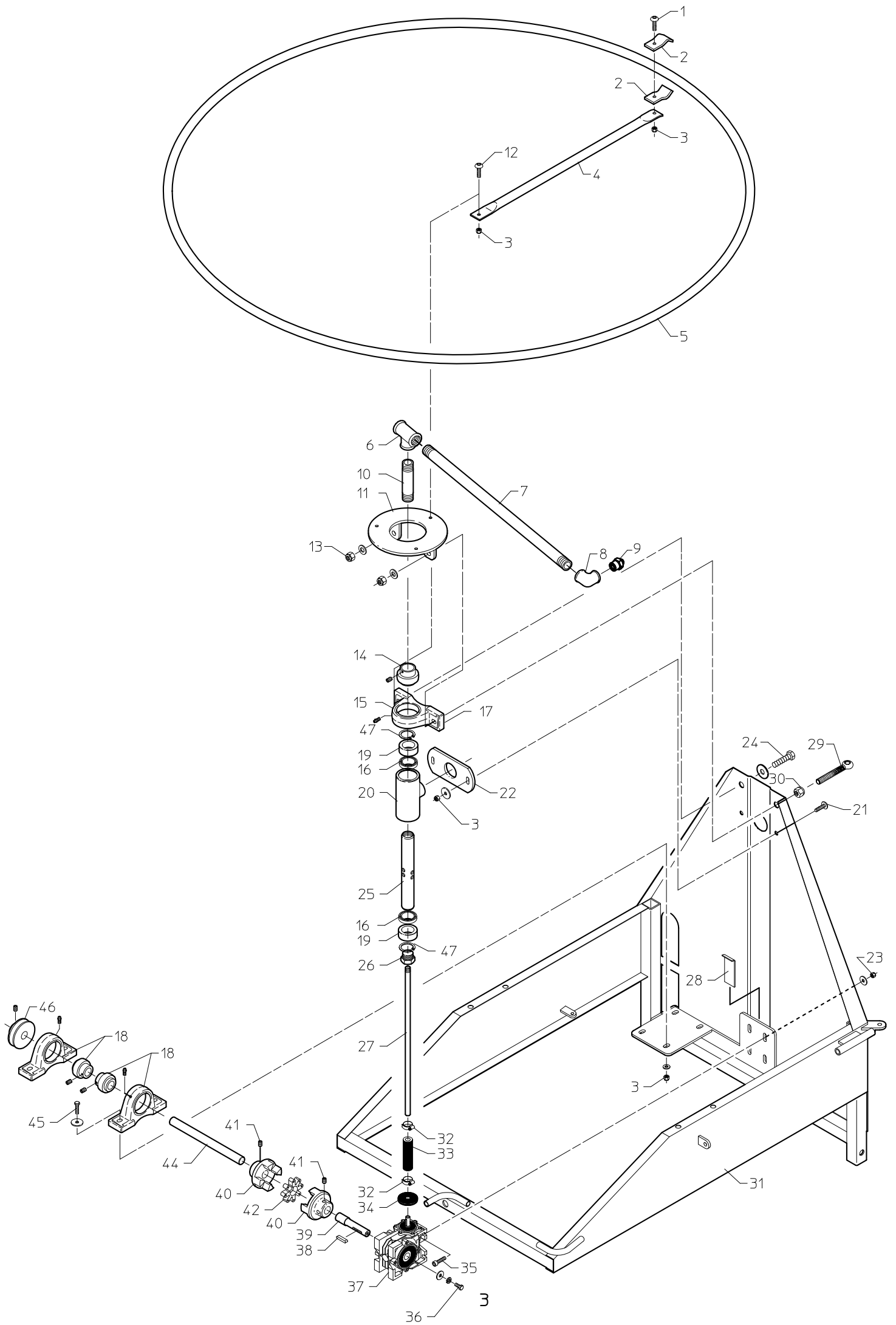
**MiniMobil 32 fra serie nr. 20001 / MiniMobil 32 from serial no.20001 / MiniMobil 32 ab Serie Nr. 20001 /
MiniMobil 32 á compter de la machine numéro 20001**

Pos. Nr. Part No. Pos. Nr. Pos. No.	Best.. Nr. Pos. No. Teil Nr. Piece No.	Benævnelse Designation	Bezeichnung Marque	Bemærkninger Remark Bemerkungen
27 - 28 -	661329 1000510	Fjeder Spring Kilerem, fremtræk V-belt	Feder Ressort Keilriemen V-ceinture	Ø3,0 x 25 x 160 mm. SPZ 2500
29 - 30 -	 1000100	Bolt Bolt Sprinklersæt m. Hane Kpl. Sprinkler, complete	Bolzen Boulon Schwinghebelregner, komplett Asperseur, complet	M10 x 40 mm 1/2"
31 - 32 -	680006 1000022	Plastgreb Handle Grip Remstrammerhåndtag Lever, Belt Tightener	Handgriff Poignée Riemenspannhebel Lever, Tendeur de courroie	Ø20 mm
33 - 34 -	1000062 763872	Låsepal Latch Bolt Bolt	Spannhebel Cliquet Bolzen Boulon	 M10 x 50 mm
35 - 36 -	- -	Bolt Bolt Unbracobolt, rundh. Allen screw	Bolzen Boulon Inbusschraube Vis à 6 pans creux	M8 x 25 mm M10 x 50 mm
37 - 38 -	1000588 1000050	Prop Screw Plug Remstrammerrulle Pulley	Verschlusschraube Bouchon Riemenspannrolle Poulie	1/2" Ø50 x 27 mm
39 - 40 -	763864 1000016	Låsemøtrik Self-Locking nut Spændplade Sheet	Selbstsichernde mutter Ecrou autofreine hfr Platte Patte de fixation	M10 L = 140 mm
41 - 42 -	- 761367	Bolt Bolt Nippelrør Pipe fitting	Bolzen Boulon Rohrstutzen Raccord	M10 x 55 mm 1/2" x 40 mm
43 - 43 -	782010-7 782010-8	Dyse Nozzle Dyse Nozzle	Düse Gicleur Düse Gicleur	7/64" 9/64"
43 -	782010-5	Dyse Nozzle	Düse Gicleur	5/32"



**MiniMobil 32 fra serie nr. 20001 / MiniMobil 32 from serial no.20001 / MiniMobil 32 ab Serie Nr. 20001 /
MiniMobil 32 á compter de la machine numéro 20001**

Pos. Nr. Part No. Pos. Nr. Pos. No.	Best.. Nr. Pos. No. Teil Nr. Piece No.	Benævneelse Designation	Bezeichnung Marque	Bemærkninger Remark Bemerkungen
1 - 2 -	095008025 761317-1	Unbracobolt, rundh. Allen Bolt Beslag Fitting	Inbusschraube Vis à 6 pans creux Beschlag Patte de fixation	M8 x 25 mm
3 - 4 -	763863 1000056	Låsemøtrik Self-locking nut Afstiver Stiffener	Selbstsichernde Mutter Ecrou hfr Versteifung Raidisseur	M8
5 - 6 -	1000054 1000592	Afskærmningsring Protection Ring T-stykke T-joint	Schutzring Anneau de protection T-Verbinder Té à 3 entrées	Ø1200 mm 1/2" x 1/2" x 1/2"
7 - 8 -	1000028 1000594	Rotorrør Rotor Pipe Bøjning Bend	Rotorrohr Tuyau de rotor Knie Coude	1/2" 1/2" x 1/2"
9 - 9 -	1000026-3 1000026-4	Rotordyse Rotor Nozzle Rotordyse Rotor Nozzle	Rotordüse Gicleur de rotor Rotordüse Gicleur de rotor	1/2" x ø3,0 mm. 1/2" x ø4,0 mm.
9 - 9 -	1000026-5 1000026-6	Rotordyse Rotor Nozzle Rotordyse Rotor Nozzle	Rotordüse Gicleur de rotor Rotordüse Gicleur de rotor	1/2" x ø5,0 mm. 1/2" x ø6,0 mm.
10 - 11 -	1000596 1000052	Nippelrør Pipe fitting Flange Flange	Rohrstutzen Raccord Flansch Bride	1/2" x 80mm Ø161 x 4.75 mm
12 - 13 -	095008019 763864	Unbracobolt, rundh. Allen Bolt Låsemøtrik Self-locking nut	Inbusschraube Vis à 6 pans creux Selbstsichernde Mutter Ecrou hfr	M8 x 20 mm M10
14 - 15 -	842026 842025	Kugleleje Bearing Ståleje Kpl. Ball Bearing, complete	Kugellager Roulement Stehlager, komplett Palier, complet	Ø25 mm Ø25 mm
16 - 17 -	1000036 842027	Pakning Gasket Lejehus Bearing Cap	Dichtung Joint Lagergehäuse Cage de roulement	Ø38/25 x 7 mm. Ø25 mm
18 - 19 -	1000530 1000032	Ståleje Kpl. Ball Bearing, complete Rotorbøsning Rotor Bushing	Stehlager, komplett Palier, complet Rotorbuchse Bague de rotor	Ø17 mm
20 - 21 -	1000030 095008019	Rotorhus Rotor Housing Unbracobolt, rundh. Allen Bolt	Rotorgehäuse Cage de rotor Inbusschraube Vis à 6 pans creux	M8 x 20 mm
22 - 23 -	1000064 761091	Beslag Fitting Låsemøtrik Self-locking nut	Beschlag Patte de fixation Selbstsichernde Mutter Ecrou hfr	Ø35 mm M6



**MiniMobil 32 fra serie nr. 20001 / MiniMobil 32 from serial no.20001 / MiniMobil 32 ab Serie Nr. 20001 /
MiniMobil 32 á compter de la machine numéro 20001**

Pos. Nr. Part No. Pos. Nr. Pos. No.	Best.. Nr. Pos. No. Teil Nr. Piece No.	Benævnelse Designation	Bezeichnung Marque	Bemærkninger Remark Bemerkungen
24 - 25 -	761083 1000034	Bolt Boulon Rotorrør Rotor Pipe	Bolzen Boulon Rotorrohr Tuyau de rotor	M10 x 40 mm Ø25 x 180 mm
26 - 27 -	1000035 1000037	Nippel Nipple Rotoraksel Rotor Axle	Nippel Raccord réducteur Rotorachse Essieu de rotor	Ø10 x 365 mm
28 - 29 -	1000066 100193	Afstandsplade Plate Øjebolt Eyebolt	Platte Ringschraube Boulon à oeil	M10 x 70 mm
30 - 31 -	761017 1000001	Møtrik Nut Ramme Frame	Mutter Ecrou Rahmen Cadre	M10
32 - 33 -	1150100017 1000038	Spændebånd Clamp Gummikobling Rubber Coupling	Rohrschelle Collier Gummikupplung Accouplement	Ø11-17 mm
34 - 35 -	1000508 -	Gummiskive Rubber Washer Unbracobolt, rundh. Allen Bolt	Gummischeibe Rondelle caoutchouc Inbusschraube Vis à 6 pans creux	Ø50/10 x 4 mm M6 x 30 mm
36 - 37 -	761198 1000500	Bolt Boulon Snekkegear Worm Gear	Bolzen Boulon Schneckengetriebe Engrenage à vis sans fin	M6 x 12 mm
38 - 39 -	641525 1000502	Feder Parallel key Gearaksel Axle	Feder Clavette parallele Getriebeachse Essieu	5 x 5 x 25 mm
40 - 41 -	1000540 763760	Klokobling Coupling Pinolskrue Pointed screw	Kupplung Accouplement Reitstockschraube Vis sans tete hc, tronconique	Udb. Ø17 mm M6 x 10 mm
42 - 43 -	1007470 -	Gummiring Rubber Disc	Gummischeibe Rondelle caoutchouc	
44 - 45 -	1000046 763435	Trækaksel Axle Bolt Boulon	Achse Essieu Bolzen Boulon	Ø17 x 200 mm M8 x 35 mm
46 - 47 -	1000048 701038	Kileremskive V-belt pulley Låsering indvendig Locking ring, inner	Keilriemenscheibe Poulie à gorge Sicherungsring inw. Circlip int.	Udb. Ø17 mm Indv. Ø38 mm

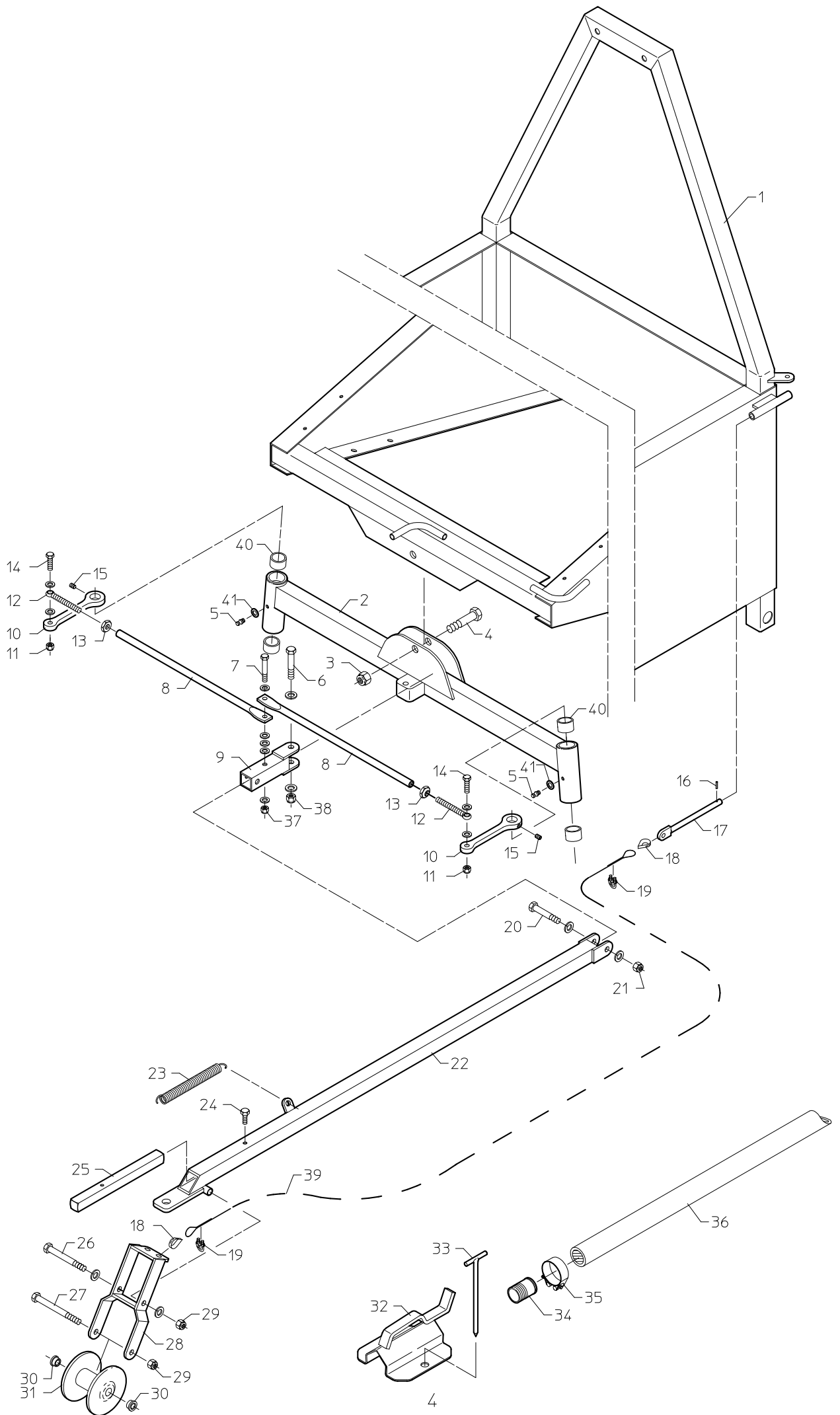
MiniMobil 40

SPARE PARTS



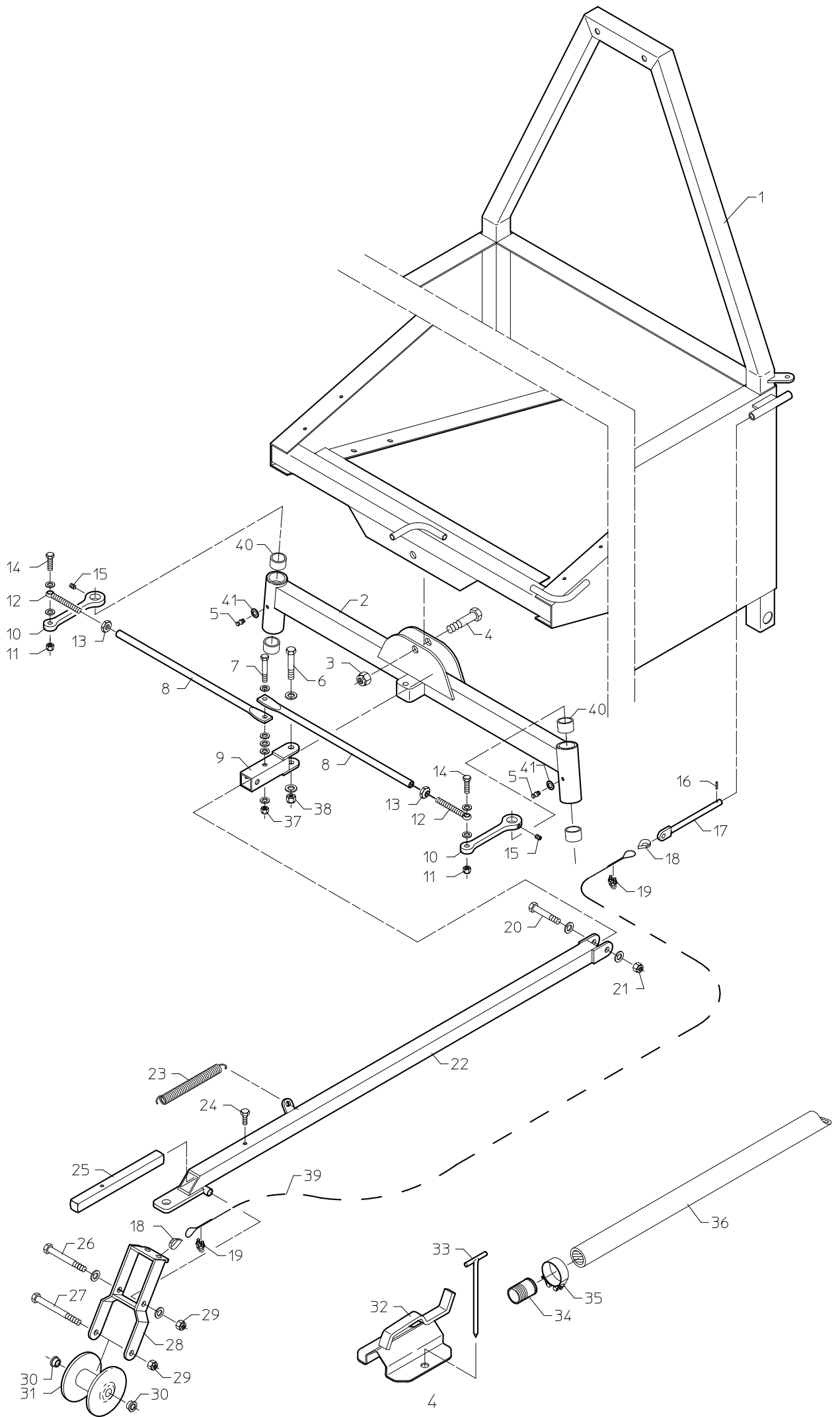
**A/S FASTERHOLT MASKINFABRIK
EJSTRUPVEJ 22, DK-7330 BRANDE
DENMARK**

**TEL: +45 97 18 80 66 FAX: +45 97 18 80 40
SPARE PARTS: +45 96 29 10 11 WORKSHOP: +45 96 29 10 13**



**MiniMobil 40 fra serie nr. 20001 / MiniMobil 40 from serial no.20001 / MiniMobil 40 ab Serie Nr. 20001 /
MiniMobil 40 á compter de la machine numéro 20001**

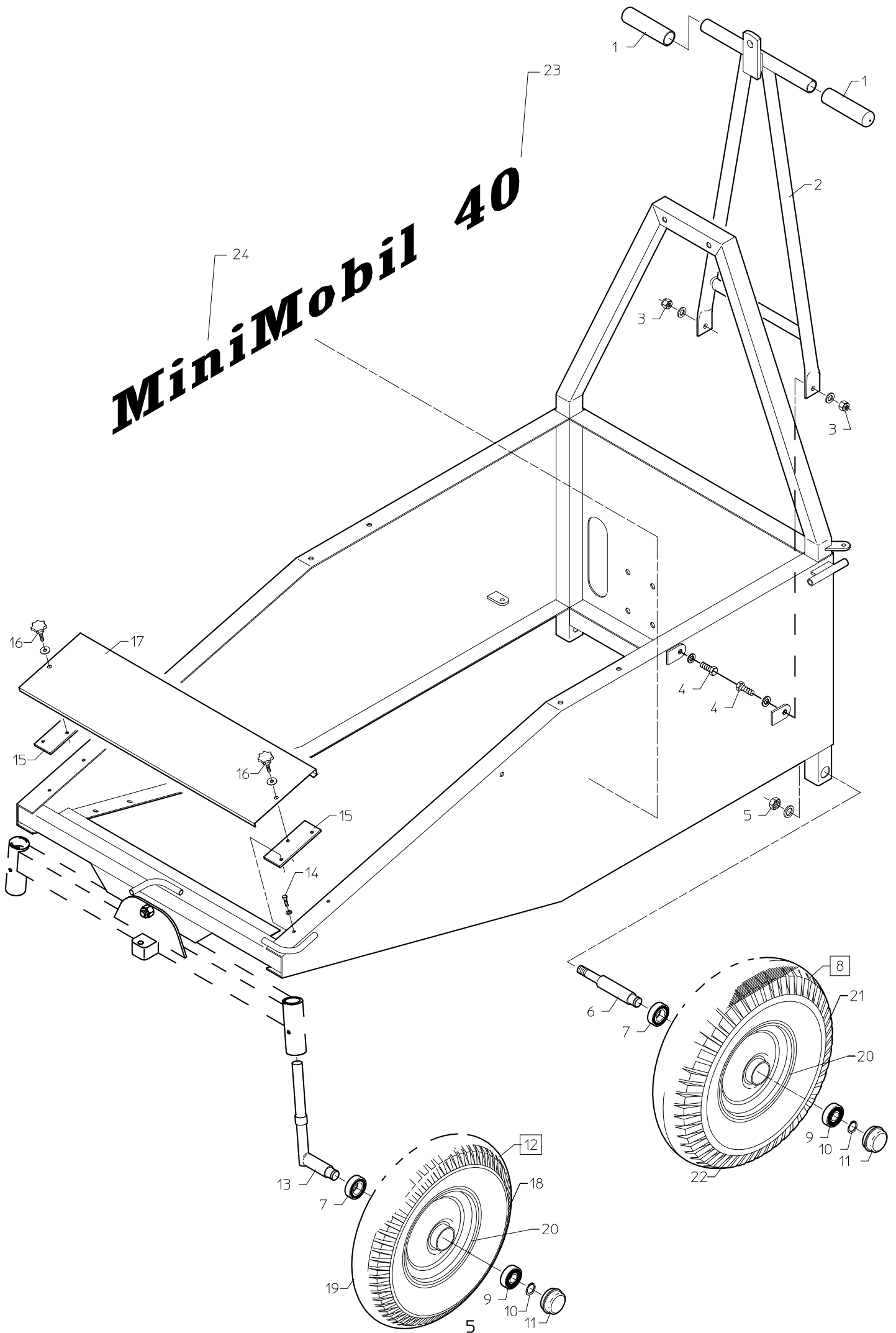
Pos. Nr. Part No. Pos. Nr. Pos. No.	Best.. Nr. Pos. No. Teil Nr. Piece No.	Benævneise Designation	Bezeichnung Marque	Bemærkninger Remark Bemerkungen
1 - 2 -	1000200 1000240	Ramme Frame Forbro Steering axle	Rahmen Cadre Carter Lenkachse Essieu de direction	
3 - 4 -	763750 895600	Låsemøtrik Self-Locking nut Bolt Bolt	Selbstsichernde Mutter Ecrou autofreine hfr Bolzen Boulon	M16 M16 x 60 mm
5 - 6 -	761286 763714	Smørenippel Lubricating nipple Bolt Bolt	Schmiernippel Graisseur Bolzen Boulon	6 mm M10 x 60 mm
7 - 8 -	763823 1000255	Bolt Bolt Styrestang Steering bar	Bolzen Boulon Lenkstange Barre de direction	M8 x 60 mm L = 390 mm
9 - 10 -	1000012 1000265	Forreste trækled Pull linkage, front Spindelarm Spindle arm	Verbindungsstück Spindelarm Bras d'axe	
11 - 12 -	763863 100193	Låsemøtrik Self-Locking nut Øjebolt Eyelet bolt	Selbstsichernde Mutter Ecrou autofreine hfr Augenbolzen Boulon d'oeil	M8 M10 x 100 mm.
13 - 14 -	761017 763430	Møtrik Nut Bolt Bolt	Mutter Ecrou Bolzen Boulon	M10 M8 x 30 mm
15 - 16 -	763540	Pinolskrue Pointed screw Rørsplit Split	Reitstockschrabe Vis sans tete HC, tronconique Splint Goupille fendue	M6 x 6 mm Ø3 x 20 mm
17 - 18 -	1000010 1562220603	Stopstang Stop rod Kouse Thimble	Anschlagstange Barre d'arrêt Kausche Oillet	Ø3,0 mm
19 - 20 -	1562220203 763714	Wirelås Cable Clamp Bolt Bolt	Drahtseilklemme Serre-câble Bolzen Boulon	Ø3,0 mm M10 x 60 mm
21 - 22 -	763864 1000290	Låsemøtrik Self-Locking nut Trækstang Drawbar	Selbstsichernde Mutter Ecrou autofreine hfr Zugstange Barre de traction	M10
23 - 24 -	661213 761090	Trækfjeder Spring Bolt Bolt	Feder Ressort Bolzen Boulon	Ø2x Ø18 x 140 mm M6 x 20 mm
25 - 26 -	1000004 763516	Vægtklods Lever Bolt Bolt	Hebel Levier Bolzen Boulon	M10 x 90 mm



**MiniMobil 40 fra serie nr. 20001 / MiniMobil 40 from serial no.20001 / MiniMobil 40 ab Serie Nr. 20001 /
MiniMobil 40 á compter de la machine numéro 20001**

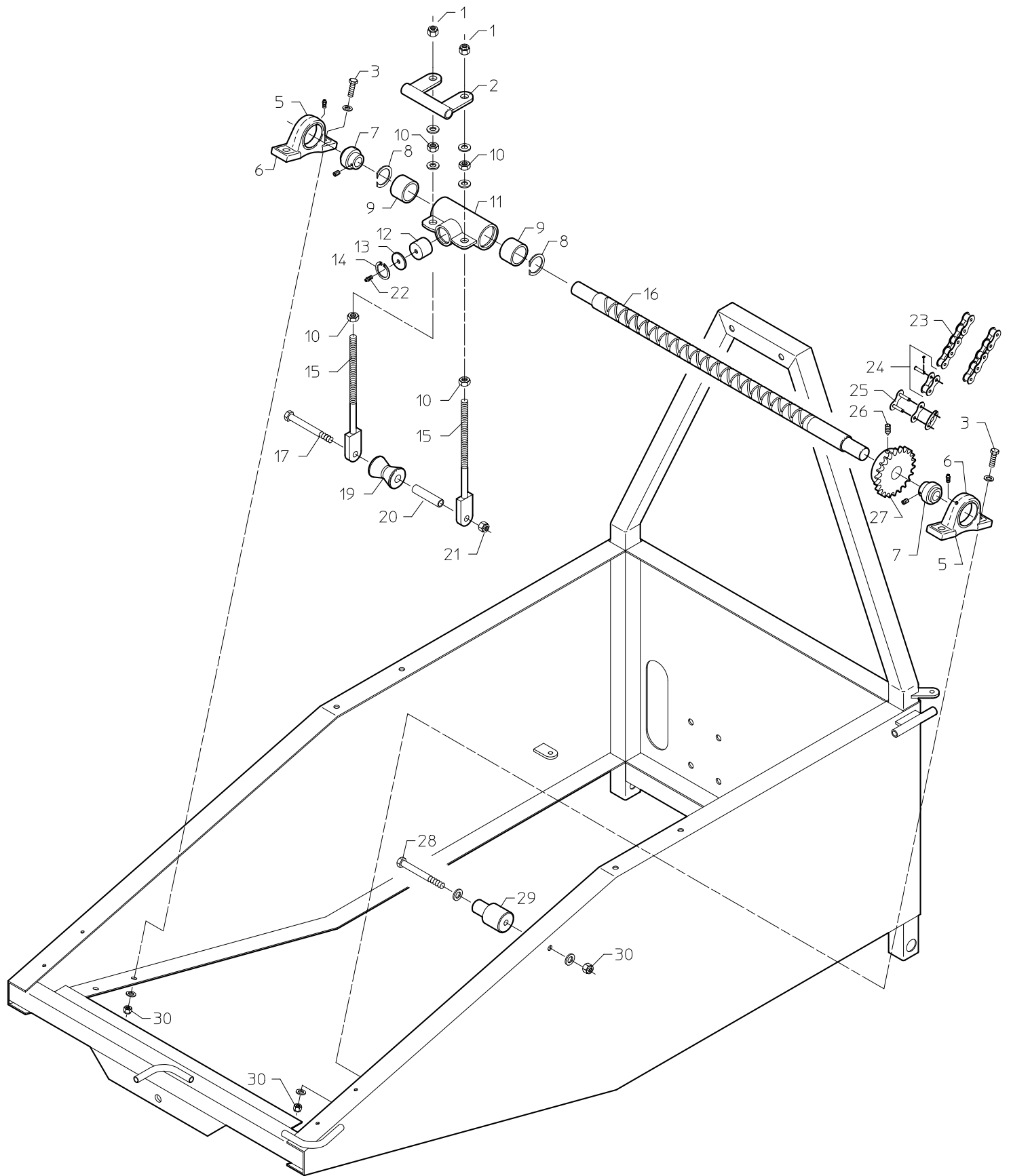
Pos. Nr. Part No. Pos. Nr. Pos. No.	Best.. Nr. Pos. No. Teil Nr. Piece No.	Benævnelse Designation	Bezeichnung Marque	Bemærkninger Remark Bemerkungen
27 - 28 -	763412 1000285	Bolt Bolt Bøjle for næsehjul Mounting Bracket	Bolzen Boulon Montagebügel Support de fixation	M10 x 120 mm
29 - 30 -	763864 RI5056	Låsemøtrik Self-Locking nut Nylonbøsning Bushing	Selbstsichernde Mutter Ecrou autofreine hfr Buchse Bague	M10 Ø10/16 x 10 mm
31 - 32 -	1000295 1000350	Slangerulle Hose Reel Stopklods Stop Block	Schlauchwinde Dévidoir Anschlagklotz Butée d'arrêt	Udb. Ø16 mm
33 - 34 -	1000042 1000440	Jordspyd Earth Rod Slangestuds Hose union	Verankerungspflock Piquet d'ancrage Schlauchstutzen Raccord de P.E.T	Ø10 x 250 mm 1" x 55 mm
35 - 36 -	16200706 16080130	Spændebånd Clamp Slange Hose	Rohrschelle Collier Schlauch Tuyau	Ø40 - 43 mm Ø40 x 125 m (Udv. mål)
37 - 38 -	763863 763864	Låsemøtrik Self-Locking nut Låsemøtrik Self-Locking nut	Selbstsichernde Mutter Ecrou autofreine hfr Selbstsichernde Mutter Ecrou autofreine hfr	M8 M10
39 - 40 -	1000601 761063	Wire Cable Nylonbøsning Bushing	Kabel Câble Buchse Bague	Ø3 x 3200 mm Ø20/30 x 23 mm
41 -		Planskive Washer	Scheibe Rondelle	Ø 6

MiniMobil 40



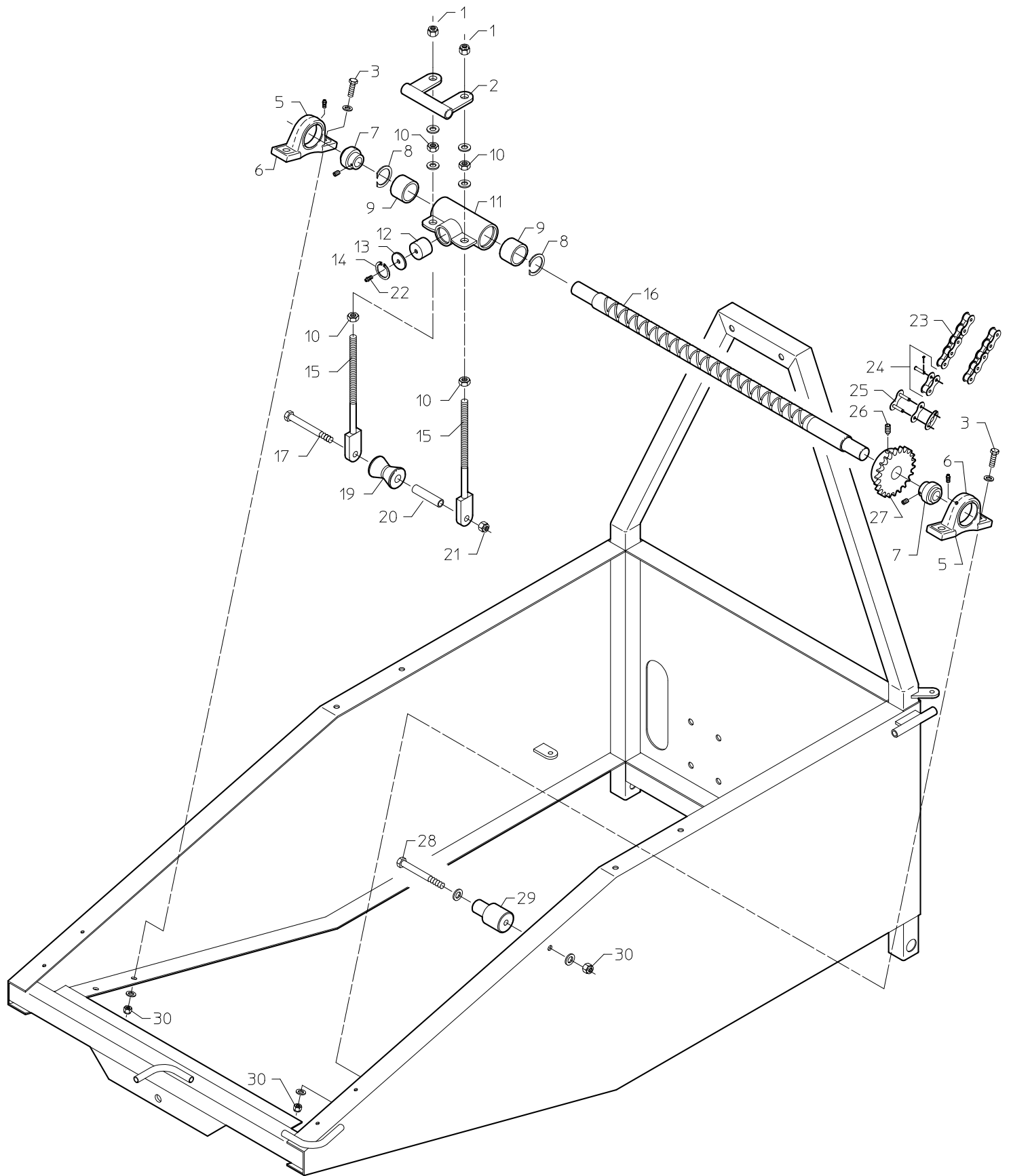
**MiniMobil 40 fra serie nr. 20001 / MiniMobil 40 from serial no.20001 / MiniMobil 40 ab Serie Nr. 20001 /
MiniMobil 40 á compter de la machine numéro 20001**

Pos. Nr. Part No. Pos. Nr. Pos. No.	Best.. Nr. Pos. No. Teil Nr. Piece No.	Benævnelse Designation	Bezeichnung Marque	Bemærkninger Remark Bemerkungen
1 -	680006	Gummihåndtag Handle Grip	Handgriff Poignée	Ø20
2 -	1000325	Bagtræk Drawbar	Deichsel Barre de attelage	
3 -	763864	Låsemøtrik Self-Locking nut	Selbstsichernde Mutter Ecrou autofreine hfr	M10
4 -	761016	Bolt Bolt	Bolzen Boulon	M10 x 25 mm
5 -	763750	Låsemøtrik Self-Locking nut	Selbstsichernde Mutter Ecrou autofreine hfr	M16
6 -	1000280	Baghjulsaksel Axle, Rear Wheel	Achse, Hinterrad Axe, Roue dernier	400/500 x 8", M16
7 -	830426	Leje Bearing	Kugellager Roulement	6005-2RS
8 -	830520	Baghjul, komplet Rear Wheel, complete	Hinterrad, komplett Roue dernier, complète	500 x 8" kpl.
9 -	830428	Leje Bearing	Kugellager Roulement	6204-2RS
10 -	700020	Låsering udvendig Locking ring ext.	Sicherungsring äusserer Circlip ext.	Udv. Ø20 mm
11 -	830424	Navkapsel Hub Cap	Radkappe Bouchon de moyeu	EK16/18 fælg
12 -	830420	Forhjul, komplet Front Wheel, complete	Vorderrad, komplett Roue avant, complète	400 x 8" kpl.
13 -	1000260	Forhjulsspindel Spindle, Front Wheel	Spindel, Vorderrad Axe, Roue avant	
14 -	761090	Bolt Bolt	Bolzen Boulon	M6 x 20 mm
15 -	1000420	Gevindplade, skærm Threaded plate	Gewindeplatte, Abschirmung Patte de fixation	M6
16 -	681116	Håndskrue, skærm Hand Screw	Handschrube Poignee vis	M 6 x 20 mm
17 -	1000410	Skærm, slangestyr Shield	Abschirmung Carter	
18 -	830406	Dæk Tyre	Reifen Pneu	400 x 8"
19 -	830404	Slange Tube	Schlauch Chambre à air	400 x 8"
20 -	830422	Fælg m. kuglelejer Rim w. Ball Bearing	Felge mit Kugellager Jante avec roulement	EK16/18
21 -	830506	Dæk Tyre	Reifen Pneu	500 x 8"
22 -	830504	Slange Tube	Schlauch Chambre à air	500 x 8"
23 -	1000554	Klæbemærke Sticker	Aufkleber Autocollant	40
24 -	1000550	Klæbemærke Sticker	Aufkleber Autocollant	MiniMobil



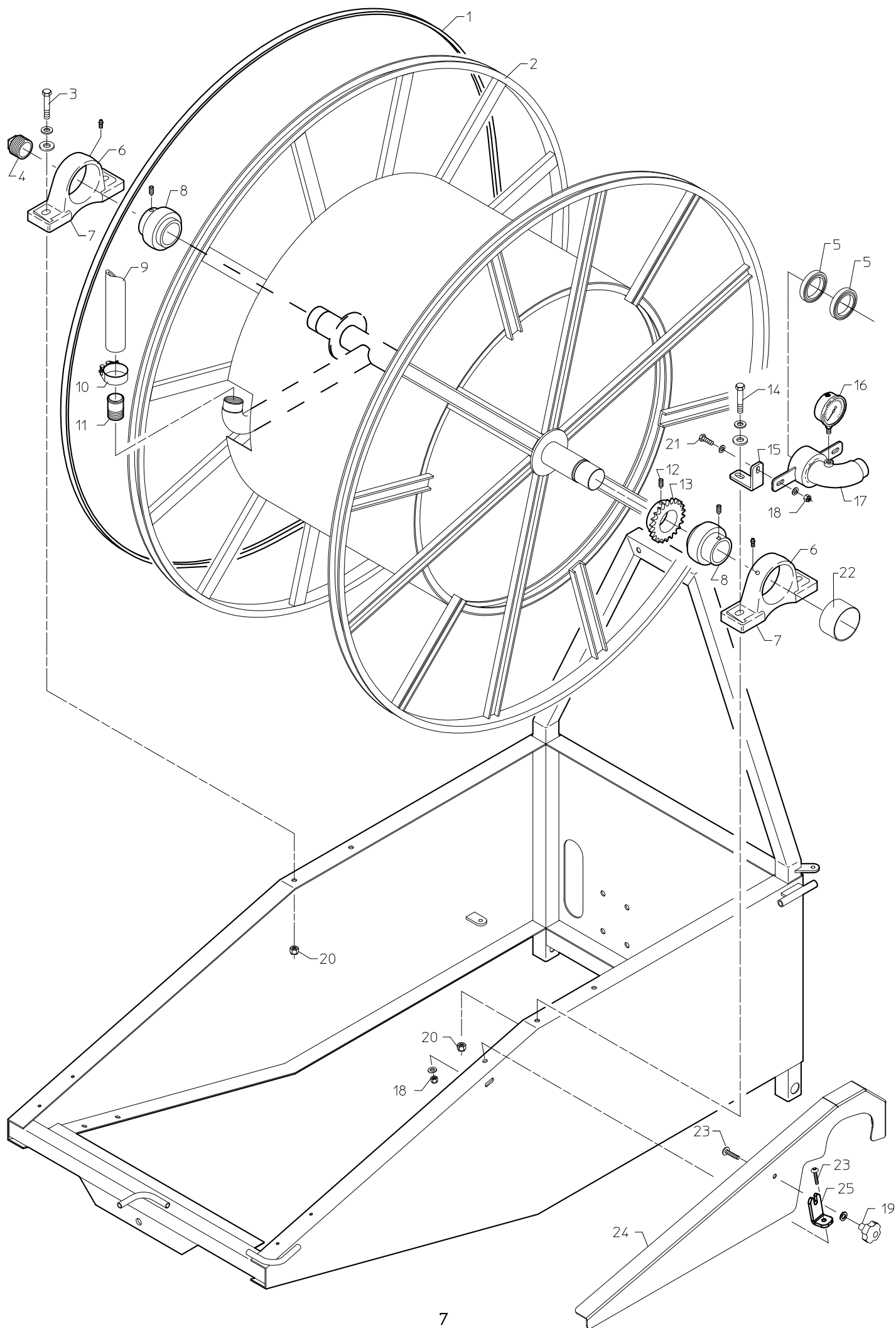
**MiniMobil 40 fra serie nr. 20001 / MiniMobil 40 from serial no.20001 / MiniMobil 40 ab Serie Nr. 20001 /
MiniMobil 40 á compter de la machine numéro 20001**

Pos. Nr. Pos. No. Pos. Nr. Pos. No.	Best.. Nr. Part No. Teil Nr. Piece No.	Benævneelse Designation	Bezeichnung Marque	Bemærkninger Remark Bemerkungen
1 - 2 -	763865 1000405	Låsemøtrik Self-Locking nut Slædestyr Slide guide	Selbstsichernde Mutter Ecrou autofreine hfr Schlitten Guide de chariot	M12
3 - 4 -	-	Bolt Bolt	Bolzen Boulon	M12 x 40 mm
5 - 6 -	842025 842027	Ståleje Ball Bearing, complete Lejehus Bearing Cap	Stehlager, komplett Palier, complete Lagergehäuse Cage de roulement	Kpl. Ø25 mm Ø25 mm
7 - 8 -	842026 701042	Kugleleje Ball Bearing Låsering indvendig Locking ring, inner	Kugellager Roulement Sicherungsring inw. Circlip int.	Ø25 mm Indv. Ø42 mm
9 - 10 -	100826-4 761061	Bøsning Bushing Møtrik Nut	Buchse Bague Mutter Ecrou	M12
11 - 12 -	100826 P100112	Slæde Slide Styretap Guide Pin	Schlitten Chariot Führungsstift Pion de trancannage	Ø30 mm
13 - 14 -	701030	Skive, Slæde Plate Låsering indvendig Locking ring, inner	Scheibe Rondelle Sicherungsring inw. Circlip int.	Indv. Ø30 mm
15 -	31000050	Strammebolt Tightenbolt	Spannungsspindel Boulon serrer	M12 x 220 mm
16 - 17 -	1000400 763650	Slangestyraksel Cross track shaft Bolt Bolt	Kreuzspurachse Vis de trancannage Bolzen Boulon	Ø30 mm M10 x 35 mm
18 -	-			
19	1000299	Bærerulle Supporting roller	Tragrolle Galet support	Ø40 x 55 mm
20 -	1000297	Bøsning Bush	Buchse Bague	Ø15/12 x 65 mm
21 -	763864	Låsemøtrik Self-Locking nut	Selbstsichernde Mutter Ecrou autofreine hfr	M10
22 -	761286	Smørenippel Lubricating nipple	Schmiernippel Graisseur	6 mm
23 -	80201308	Kæde Chain	Kette Chaîne	1/2 x 5/16" L = 1770 mm
24 -	80201308-12	Forkrøblet samleled Cranked Link	Gekrøpftes Verbindungsstück Maillon	1/2 x 5/16"
25 -	80201308-11	Lige samleled Straight Link	Gerades Verbindungsstück Maillon attache rapide	1/2 x 5/16"



**MiniMobil 40 fra serie nr. 20001 / MiniMobil 40 from serial no.20001 / MiniMobil 40 ab Serie Nr. 20001 /
MiniMobil 40 á compter de la machine numéro 20001**

Pos. Nr. Pos No. Pos. Nr. Pos. No.	Best.. Nr. Part No. Teil Nr. Piece No.	Benævnelse Designation	Bezeichnung Marque	Bemærkninger Remark Bemerkungen
26 - 27 -	100181	Pinolskrue Pointed screw Kædehjul Sprocket Wheel	Reitstockschraube Vis sans tete HC, tronconique Kettenrad Pignon	M10 x 16 mm 1/2" x 25Z Ø30 mm
28 - 29 -	1000340	Bolt Bolt Bøsning, kædestrammer Bushing	Bolzen Boulon Buchse Bague	M10 x 90 mm Ø40/11 x 75 mm
30 -	763864	Låsemøtrik Self-Locking nut	Selbstsichernde Mutter Ecrou autofreine hfr	M10



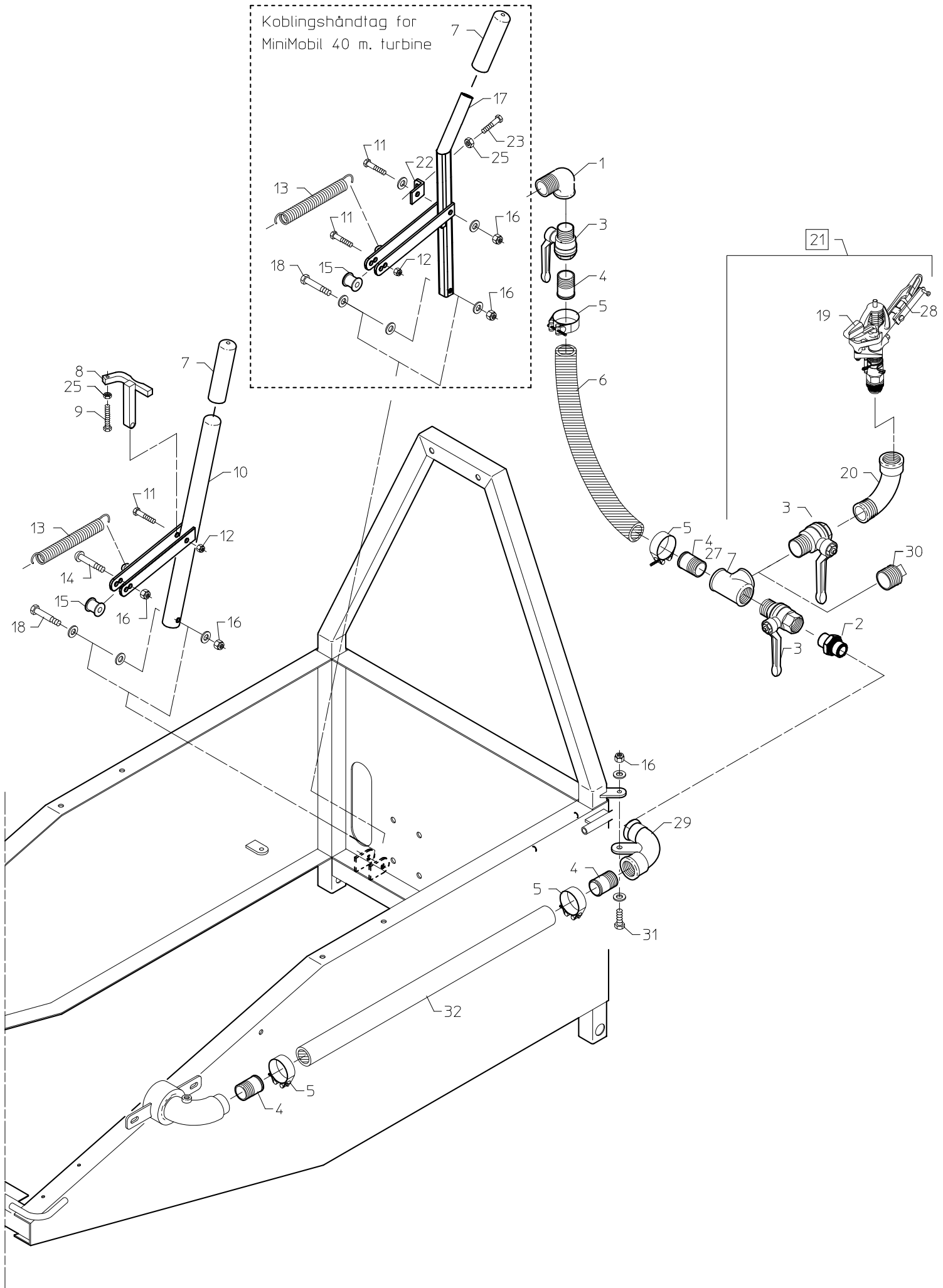
**MiniMobil 40 fra serie nr. 20001 / MiniMobil 40 from serial no.20001 / MiniMobil 40 ab Serie Nr. 20001 /
MiniMobil 40 á compter de la machine numéro 20001**

Pos. Nr. Part No. Pos. Nr. Pos. No.	Best.. Nr. Pos. No. Teil Nr. Piece No.	Benævneelse Designation	Bezeichnung Marque	Bemærkninger Remark Bemerkungen
1 - 2 -	1000512 1000220	Kilerem V-belt Slangetromle Drum	Keilriemen Courroie Trommel Bobine	B 163
3 - 4 -	763700 100859	Bolt Bolt Prop Screw Plug	Bolzen Boulon Verschlusschraube Bouchon	M12 x 45 mm 11/4"
5 - 6 -	100824-2 761289	Pakning Gasket Ståleje, komplet Ball Bearing, complete	Packung Joint Stehlager, komplett Palier, complet	Ø60/50 x 10 mm Ø50 mm
7 - 8 -	761287 761288	Lejehus Bearing Cap Kugleleje Ball Bearing	Lagergehäuse Cage roulement Kugellager Roulement	Ø50 mm Ø50 mm
9 - 10 -	16080130 16200706	Slange Hose Spændebånd Pipe Clamp	Schlauch Tuyau Rohrschelle Collier de serrage	Ø40 x 125 m Ø40 - Ø43 mm
11 - 12 -	1000440 761070	Slangestuds Hose Coupling Pinolskrue Pointed Screw	Schlauchstutzen Raccord de tuyau Reitstockschrabe Vis sans tete HC, tronconique	1" x 55 mm M10 x 12 mm
13 - 14 -	109181 763691	Kædehjul Sprocket Wheel Bolt Bolt	Kettenrad Pignon Bolzen Boulon	1/2" x 23Z Udb. Ø50 mm M12 x 65 mm
15 - 16 -	100188 1001163	Beslag, udgangsbøjning Fitting Manometer Manometer	Beschlag Patte de fixation Manometer Manometre	1/4" 0 – 10 bar
17 - 18 -	1000230 763863	Glidebøsning Sliding bushing Låsemøtrik Self-locking Nut	Gleitbuchse Manchon coulissant Selbstsichernde Mutter Ecrou hfr	M8
19 - 20 -	681008 763865	Håndskrue, skærm Hand Screw Låsemøtrik Self-Locking nut	Handschrabe Poignee vis Selbstsichernde Mutter Ecrou autofreine hfr	M8 M12
21 - 22 -	763655 100862-2	Bolt Bolt Bøsning, Rustfri Bushing, Stainless	Bolzen Boulon Buchse, Rostfrei Bague, Inoxydable	M8 x 25 mm Ø50 mm
23 - 24 -	095008025 1000430	Unbracobolt, rundh. Allen Bolt Kædeskærm Shield	Inbusschrabe Vis à 6 pans creux Abschirmung Carter de chaine	M8 x 25 mm
25 -	1000435	Beslag Fitting	Beschlag Patte de fixation	

**MiniMobil 40 fra serie nr. 20001 / MiniMobil 40 from serial no.20001 / MiniMobil 40 ab Serie Nr. 20001 /
MiniMobil 40 á compter de la machine numéro 20001**

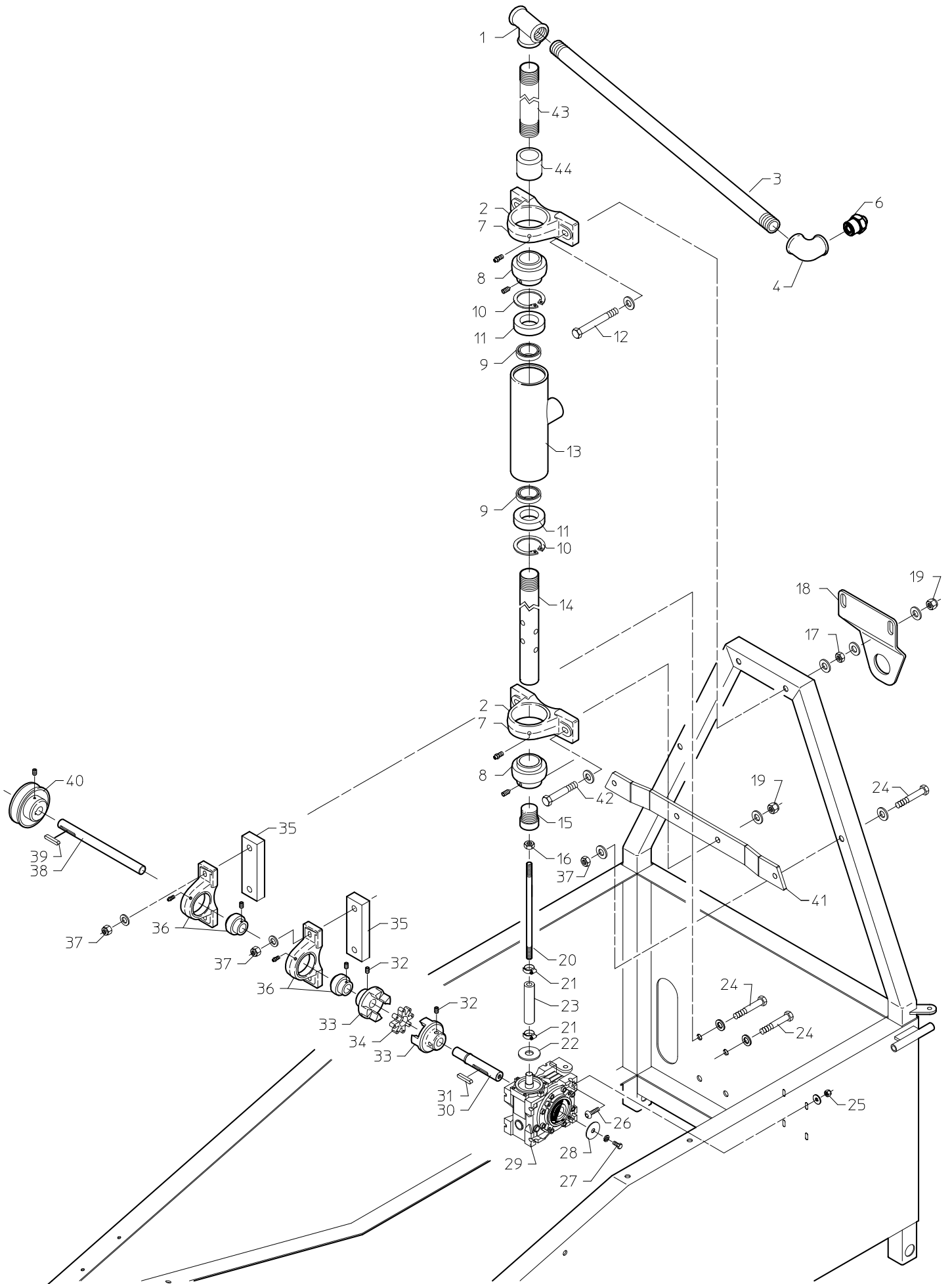
Pos. Nr. Pos. No. Pos. No.	Best.. Nr. Part No. Teil Nr. Piece No.	Benævneise Designation	Bezeichnung Marque	Bemærkninger Remark Bemerkungen
1 - 2	1000581	Vinkel Bend Nippel Nipple	Knie Coude Nippel Réducteur	1" 1" x 1"
3 - 4	1000578 1000440	Kuglehane Ball Valve Slangestuds Hose coupling	Kugelhahn Robinet à tournant sphérique Schlauchstutzen Raccord de tuyau	1" 1" x 55 mm
5 - 6	16200706 1000591	Spændebånd Hose Clamp Slange Hose	Rohrschelle Collier de serrage Schlauch Tuyau	40 - 43 Ø40 x 480 mm
7 - 8	680006 1000330	Plastgreb Handle Grip Stoppal Latch	Handgriff Poignée Sperrklinke Cliquet	Ø20
9 - 10	761038 1000022	Bolt Bolt Håndtag, remstrammer Lever, Belt Tightener	Bolzen Boulon Hebel, Riemenstrammer Levier, Tendeur de courroie	M8 x 50 mm Udv. Ø20 mm
11 - 12	763872 763864	Bolt Bolt Låsemøtrik Self-Locking nut	Bolzen Boulon Selbstsichernde Mutter Ecrou autofreine hfr	M10 x 50 mm M10
13 - 14	661316	Fjeder Spring Unbracobolt, rundh. Allen Bolt	Feder Ressort Inbusschraube Vis à 6 pans creux	Ø3 x Ø25 x 150 mm M10 x 55 mm
15 - 16	1000335 763864	Remstrammerrulle Belt tension pulley Låsemøtrik Self-Locking nut	Riemenspannrolle Galet de courroie Selbstsichernde Mutter Ecrou autofreine hfr	Ø30/20 x 26.5 mm M10
17 - 18	1000360 763714	Håndtag, remstrammer Lever, Belt Tightener Bolt Bolt	Hebel, Riemenstrammer Levier, Tendeur de courroie Bolzen Boulon	MiniMobil 40 m. turbine M10 x 60 mm
19 - 20	782025 761201	Sprinkler Sprinkler Bøjning Bend	Schwinghebelregner Asperseur Knie Coude	1" 1"
21 - 22	1000225 1000364	Sprinklersæt m. hane, komplet Sprinkler, complete Beslag Fitting	Schwinghebelregner, komplett Asperseur, complet Beschlag Patte de fixation	1"
23 - 24	763430 -	Bolt Bolt	Bolzen Boulon	M8 x 30 mm
25 - 26	763752 -	Møtrik Nut	Mutter Ecrou	M8

Koblingshåndtag for
MiniMobil 40 m. turbine



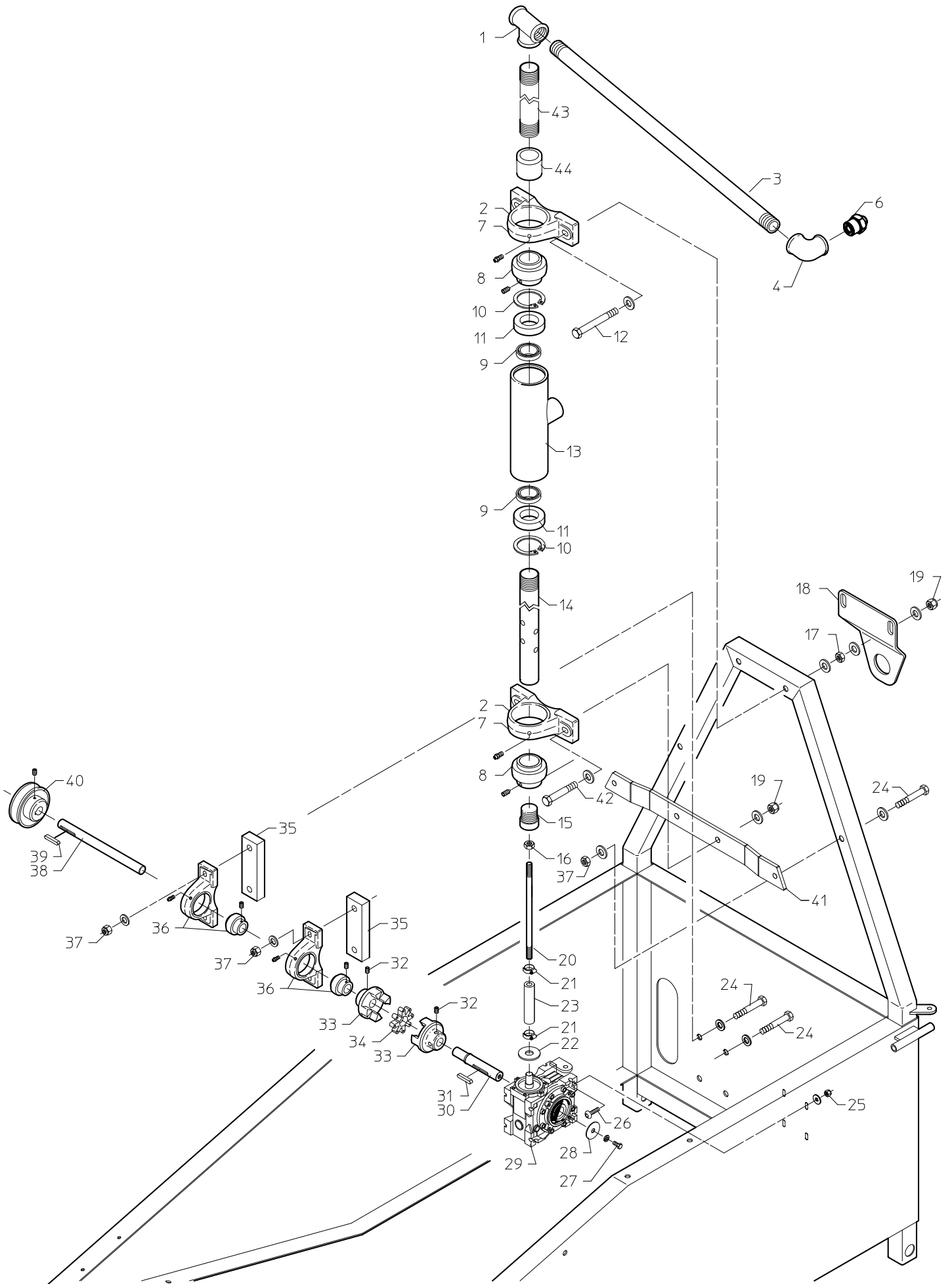
**MiniMobil 40 fra serie nr. 20001 / MiniMobil 40 from serial no.20001 / MiniMobil 40 ab Serie Nr. 20001 /
MiniMobil 40 á compter de la machine numéro 20001**

Pos. Nr. Pos No. Pos. Nr. Pos. No.	Best.. Nr. Part No. Teil Nr. Piece No.	Benævnelser Designation	Bezeichnung Marque	Bemærkninger Remark Bemerkungen
27 - 28 -	1000585 782025-5	T-stykke T-joint Dyse, sprinkler Nozzle	T-Verbinder Té à 3 entrées Düse Gicleur	1" x 1" x 1" 7/32"
28 -	782025-7	Dyse, sprinkler Nozzle	Düse Gicleur	9/32"
28 -	782025-8	Dyse, sprinkler Nozzle	Düse Gicleur	11/32"
29 -	1000270	Bøjning Bend	Knie Coude	1"
30 -	1000589	Prop Screw Plug	Verschlusschraube Bouchon	1"
31 -	761097	Bolt Bolt	Bolzen Boulon	M10 x 30 mm
32 -	1000598	Slange Hose	Schlauch Tuyau	Ø40 x 680 mm



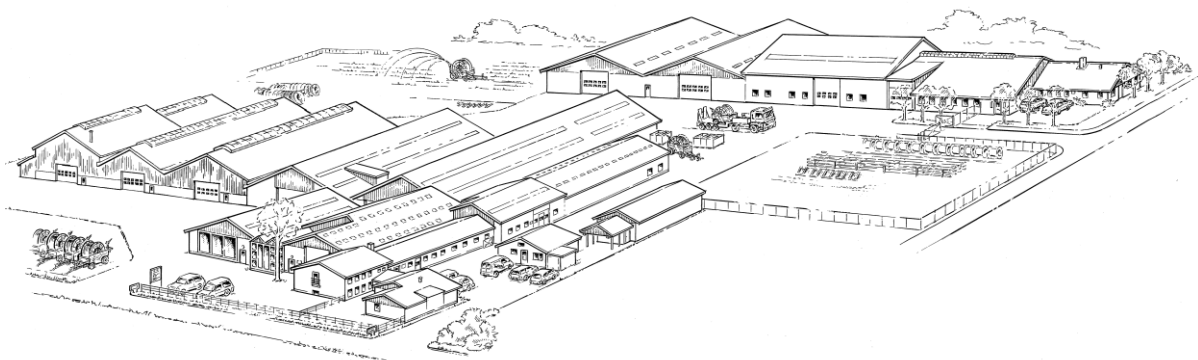
MiniMobil 40 fra serie nr.20001/ MiniMobil 40 from serial no. 20001/ MiniMobil 40 ab Serie Nr. 20001/ MiniMobil 40 á compter de la machine numéro 20001

Pos. Nr. Pos. No. Pos. Nr. Pos. No.	Best.. Nr. Part No. Teil Nr. Piece No.	Benævnelse Designation	Bezeichnung Marque	Bemærkninger Remark Bemerkungen
1 -	761218	T-stykke T-joint	T-Verbinder Té à 3 entrées	3/4" x 1" x 3/4"
2 -	761215	Ståleje, komplet Ball Bearing, complete	Stehlager, komplett Palier, complet	Ø35 mm
3 -	1000321	Rotorrør Rotor Pipe	Rotorrohr Tuyau, rotor	3/4" x 900 mm
4 -	1000599	Vinkel Bend	Knie Coude	3/4" x 1/2" x 90 grader
5	-	-		
6 -	1000026-3	Rotordyse Rotor Nozzle	Rotordüse Gicleur de rotor	1/2" x Ø3,0 mm
6 -	1000026-4	Rotordyse Rotor Nozzle	Rotordüse Gicleur de rotor	1/2" x Ø4,0 mm
6 -	1000026-5	Rotordyse Rotor Nozzle	Rotordüse Gicleur de rotor	1/2" x Ø5,0 mm
6 -	1000026-6	Rotordyse Rotor Nozzle	Rotordüse Gicleur de rotor	1/2" x Ø6,0 mm
7 -	761217	Lejehus Bearing Cap	Lagergehäuse Cage roulement	Ø35 mm
8 -	761216	Kugleleje Ball Bearing	Kugellager Roulement	Ø35 mm
9 -	761208	Pakning, blød Gasket, soft	Dichtung, weich Joint, doux	Ø60/35 x 12 mm.
10 -	761207	Låsering indvendig Locking ring, inner	Sicherungsring inw. Circlip int.	Indv. Ø60 mm
11 -	761209	Rotorbøsning Rotor Bushing	Rotorbuchse Bague de rotor	
12 -		Bolt Bolt	Bolzen Boulon	M12 x 90 mm
13 -	1000315	Rotorhus Rotor Housing	Rotorgehäuse Boîte de rotor	
14 -	761263	Rotorrør, rustfri Rotor Pipe, stainless	Rotorrohr, rostfrei Tuyau, rotor	
15 -	1000300	Gevindbøsning Bushing	Buchse Bague	M30
16 -	761017	Møtrik Nut	Mutter Ecrou	M10
17 -	761061	Møtrik Nut	Mutter Ecrou	M12
18 -	1000250	Beslag, ophæng Fitting	Beschlag Patte de fixation	
19 -	763865	Låsemøtrik Self-Locking nut	Selbstsichernde Mutter Ecrou autofreine hfr	M12
20 -	1000305	Rotoraksel Rotor Axle	Rotorachse Essieu de rotor	Ø10 x 530 mm
21 -	1150100017	Spændebånd Hose Clamp	Rohrschelle Collier de serrage	Ø11 - 17 mm
22 -	1000508	Gummiskive Rubber Washer	Gummischeibe Rondelle caoutchouc	Ø50/10 x 4 mm
23 -	1000038	Gummikobling Rubber Coupling	Gummikupplung Accouplement	3/8" x 80 mm



MiniMobil 40 fra serie nr.20001/ MiniMobil 40 from serial no. 20001/ MiniMobil 40 ab Serie Nr. 20001/ MiniMobil 40 á compter de la machine numéro 20001

Pos. Nr. Pos No. Pos. Nr. Pos. No.	Best.. Nr. Part No. Teil Nr. Piece No.	Benævnelse Designation	Bezeichnung Marque	Bemærkninger Remark Bemerkungen
24 -		Bolt Bolt	Bolzen Boulon	M10 x 55 mm
25 -	761091	Låsemøtrik Self-Locking nut	Selbstsichernde Mutter Ecrou autofreine hfr	M6
26 -	763460	Unbracobolt Allen Bolt	Inbusschraube Vis à 6 pans creux	M6 x 25 mm
27 -	762230	Bolt Bolt	Bolzen Boulon	M8 x 16 mm
28 -		Skærmskive Washer	Scheibe Rondelle	Ø8 mm
29 -	1000505	Snekkegear Worm Gear	Schneckengetriebe Engrenage à vis sans fin	Ø20 x 115 mm
30 -	1000503	Gearaksel Axle	Getriebeachse Essieu	Ø20 x 115 mm
31 -	641635	Feder Parallel key	Feder Clavette parallele	6 x 6 x 35 mm
32 -	763760	Pinolskrue Pointed screw	Reitstockschrabe Vis sans tete HC, tronconique	M6 x 10 mm
33 -	1000540	Klokobling Coupling	Kupplung Accouplement	Udb. Ø17
34 -	1007470	Gummiring Rubber Disc	Gummischeibe Rondelle caoutchouc	
35 -	1000385	Lejeklods Bearing Block	Lagerblock Bloc de palier	
36 -	1000530	Ståleje, komplet Ball Bearing, complete	Stehlager, komplett Palier, complet	Ø17 mm
37 -	763864	Låsemøtrik Self-Locking nut	Selbstsichernde Mutter Ecrou autofreine hfr	M10
38 -	1000390	Trækaksel Axle	Achse Essieu	Ø17 x 215 mm
39 -	641526	Feder Parallel key	Feder Clavette parallèle	5 x 5 x 35 mm
40 -	100127	Kileremskive V-belt pulley	Keilriemenscheibe Poulie à gorge	Udb. Ø17 mm
41 -	1000380	Beslag Fitting	Beschlag Patte de fixation	
42 -		Bolt Bolt	Bolzen Boulon	M12 x 45 mm
43 -	1000323	Forhøjerrør Pipe	Rohr Tuyau	1" x 500 mm
44 -	013270408	Muffe Sleeve	Muffe Manchon	1" galv.



**A/S FASTERHOLT MASKINFABRIK
EJSTRUPVEJ 22, DK-7330 BRANDE
DENMARK**

TEL: +45 97 18 80 66 FAX: +45 97 18 80 40

E-MAIL:MAIL@FASTERHOLT.DK

www.fasterholt.dk